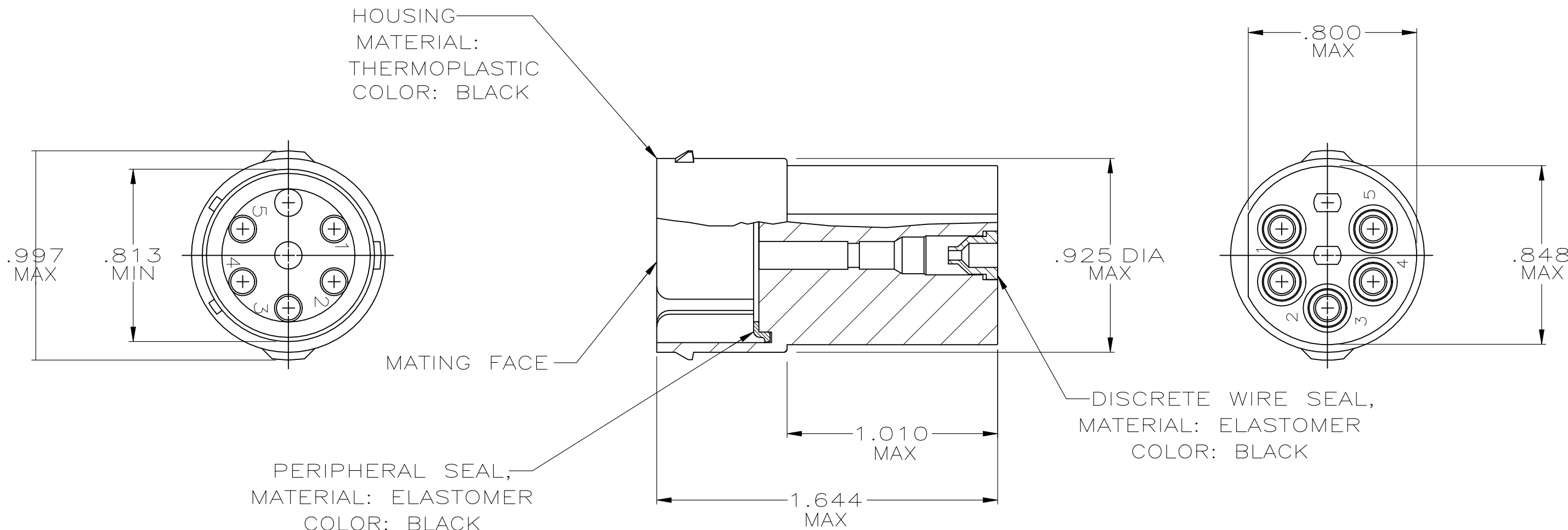


REVISIONS				
P	LTR	DESCRIPTION	DATE	APVD
G		PER PCN E-20-018081	10MAR2021	SCK



1. WIRE INSULATION SEALING RANGE: .070—.130 DIA.
2. THIN MEMBRANE PERMISSABLE ON SMALL DIAMETER OF WIRE SEALS.
3. ROTATION OF CAVITY CIRCUIT KEY FROM PART TO PART IS PERMISSIBLE.

NO	207848-2
YES	207848-1
SEALS	PART NO

THIS DRAWING IS A CONTROLLED DOCUMENT.		DWN A.STAUB BG 8/2/90	TE Connectivity RECEPTACLE, 5 POSITION, STD ECONOSEAL CONNECTOR														
DIMENSIONS: INCHES		CHK -				NAME											
TOLERANCES UNLESS OTHERWISE SPECIFIED:		APVD -	PRODUCT SPEC -		SIZE												
<table border="0"> <tr> <td>0 PLC</td> <td>± -</td> </tr> <tr> <td>1 PLC</td> <td>± -</td> </tr> <tr> <td>2 PLC</td> <td>± -</td> </tr> <tr> <td>3 PLC</td> <td>± -</td> </tr> <tr> <td>4 PLC</td> <td>± -</td> </tr> <tr> <td>ANGLES</td> <td>± -</td> </tr> </table>		0 PLC	± -	1 PLC	± -	2 PLC	± -	3 PLC	± -	4 PLC	± -	ANGLES	± -	APPLICATION SPEC -	DRAWING NO		RESTRICTED TO
0 PLC	± -																
1 PLC	± -																
2 PLC	± -																
3 PLC	± -																
4 PLC	± -																
ANGLES	± -																
MATERIAL SEE CALLOUT	FINISH -	WEIGHT 0.000000	A3	CAGE CODE 00779	C=207848												
CUSTOMER DRAWING			SCALE -	SHEET 1 OF 1	REV G												