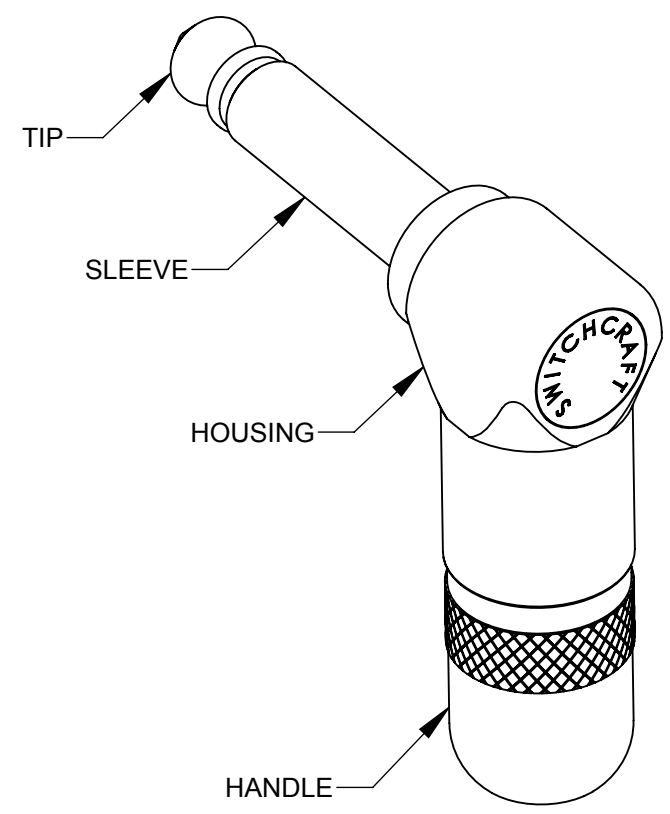
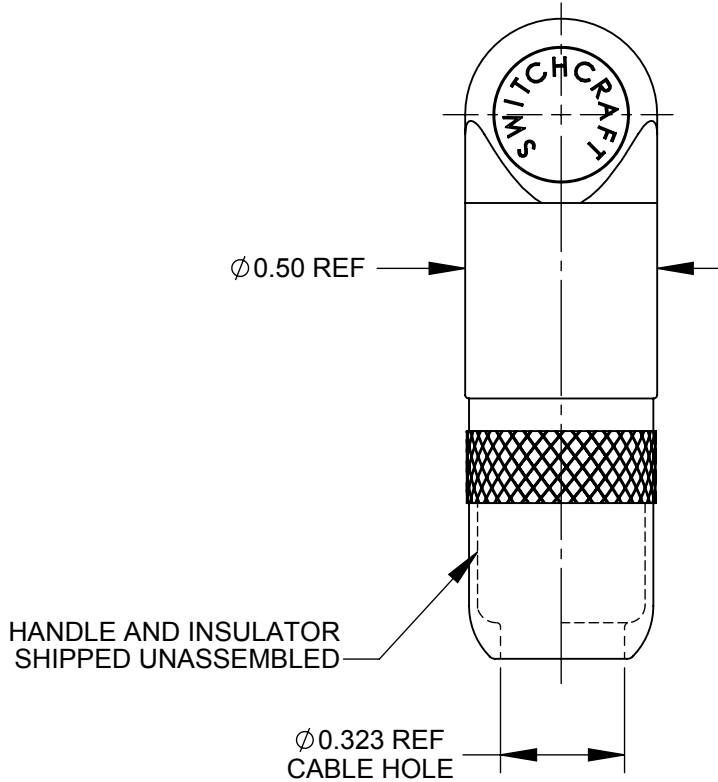


VIEW WITHOUT HANDLE AND INSULATOR



NOTES:

1. MATERIALS:  
 - TIP ROD AND HANDLE - BRASS, NICKEL PLATED  
 - HOUSING AND SLEEVE - ZINC DIE CAST, COPPER AND NICKEL PLATED  
 - TIP TERMINAL - BRASS, TIN PLATED  
 - SLEEVE (CLAMP) TERMINAL - STEEL, TIN PLATED  
 - INSULATION - THERMOPLASTIC

ELECTRICAL  
 - DIELECTRIC WITHSTANDING VOLTAGE : 500 VAC  
 - INSULATION RESISTANCE: 50,000 MEGOHMS MINIMUM (INITIAL)

OPERATING TEMPERATURE  
 - 20°C TO +65°C

MATING JACK  
 - TYP, 1/4 INCH, COMMERCIAL TYPE, 2 CONDUCTOR PHONE JACK

2. THIS PRODUCT IS RoHS COMPLIANT

**CUSTOMER DRAWING**

REV	ECO NUMBER	DATE	BY	APVD
A	REL TO PROD 25868	10-28-09	JEB	TJK
REVISIONS				

UNLESS OTHERWISE SPECIFIED  
 1. ALL DIMENSIONS IN INCHES  
 - TWO PLACE DECIMALS ±0.02  
 - THREE PLACE DECIMALS ±0.005

**DO NOT SCALE DRAWING**

THIS DRAWING DESCRIBES A DESIGN CONSIDERED PROPRIETARY IN NATURE, DEVELOPED AND MANUFACTURED BY SWITCHCRAFT INC. AND IS RELEASED ON A CONFIDENTIAL BASIS FOR IDENTIFICATION PURPOSES ONLY.									
SIZE *	WIDTH *	MULT *	LBS/M *	TEMPER *					
FINISH *					MATERIAL *				
SPEC No. *					SPEC No. *				
FIRST USED ON *			SCALE 2:1						
DATE DRAWN	BY	CHKD	APVD						
04-21-08	BDS	BDS	BDS						
		04-21-08	04-21-08						
NAME			RA PHONE PLUG, Ø0.323 CABLE, RoHS				PART No.		REV
							226L		A