

THIS DRAWING IS A CONTROLLED DOCUMENT FOR SOURIAU USA, INC. IT IS SUBJECT TO CHANGE WITHOUT NOTIFICATION. CONTACT THE DOCUMENT CONTROL CENTER FOR THE LATEST REVISION.

C

B

THE INFORMATION CONTAINED IN THIS DRAWING IS CONFIDENTIAL AND MAY NOT BE DISCLOSED WITHOUT WRITTEN CONSENT FROM SOURIAU USA, INC.

4

D

C

B

A

TABLE OF DIMENSIONS (AFTER PLATING)

CATALOG NO.	BOEING PART NUMBER	MATING END SIZE	TABLE OF DIMENSIONS (AFTER PLATING)													COLOR BAND			WIRE ACCOMMODATE AWG	CRIMP TOOLING		
			ØA	ØB	ØC ±.0015 ±[0.038]	ØE ±.001 ±[0.03]	ØG	ØH ±.003 ±[0.08]	(L)	M ±.002 ±[0.05]	N	X ±.002 ±[0.05]	RAD Y	Z ±.003 ±[0.08]	A	B	C	SOURIAU		MIL-C-22520 CRIMP TOOL	POSITIONER	
RBM20M-1DJ5	S280W 555-920	16	.077 ±.001 [1.96 ±0.03]	.049 ±.001 [1.24 ±0.03]	.1015 [2.578]	.062 [1.57]	.062 ±.002 [1.57 ±0.05]	.029 [0.74]	.418 [10.62]	.213 [5.41]	.1715 ±.0145 [4.356 ±0.368]	.031 [0.79]	.020 [0.51]	.060 [1.52]	RED	RED	RED	20-24	MIL-C-22520/1-01	MIL-C-22520/1-02 RED		
RBM18M-1DJ5	S280W 555-918	16	.0796 ±.0008 [2.0218 ±0.020]	.0544 ±.0008 [1.382 ±0.020]		.065 ±.002 [1.65 ±0.05]								RED	WHITE	RED	18-20	MIL-C-22520/2-01	MIL-C-22520/2-11			
RBM16V-1DJ5	S280W 555-916	14	.103 ±.002 [2.62 ±0.05]	.067 ±.001 [1.70 ±0.03]	.1315 [3.340]	.077 [1.96]	.085 [2.16]	.039 [0.99]	.501 [12.73]	.296 [7.52]	.2655 ±.0155 [6.744 ±0.394]	.046 [1.17]	.030 [0.76]	.076 [1.93]	BLUE	BLUE	BLUE	16-20	MIL-C-22520/1-01	MIL-C-22520/1-02 BLUE		

NOTES: UNLESS OTHERWISE SPECIFIED

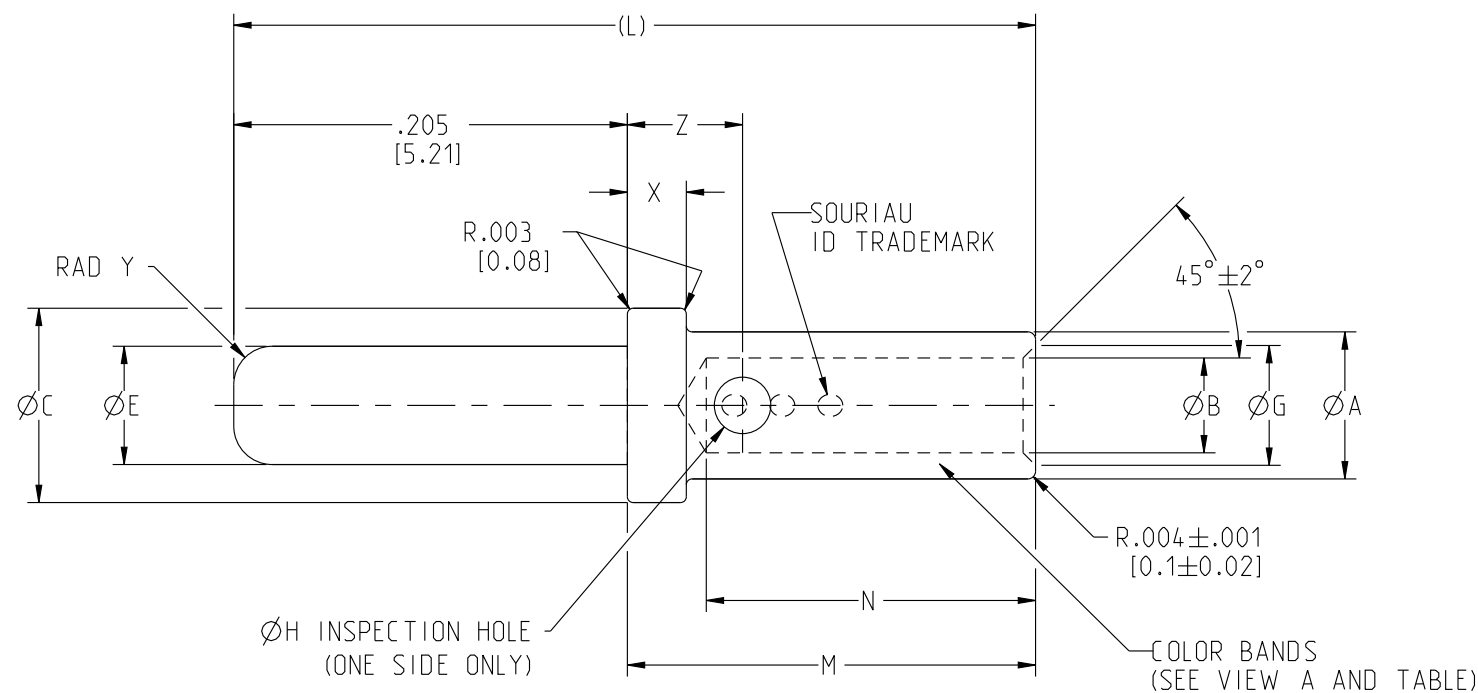
1 THESE CONTACTS CONFORM TO MIL-C-39029/1-... EXCEPT FOR COLOR BANDING.

2 COLOR BANDS IDENTIFY THE WIRE SIZE ACCOMMODATION OF THIS ITEM WHICH CONFORMS TO BOEING STANDARD S280W555-9....

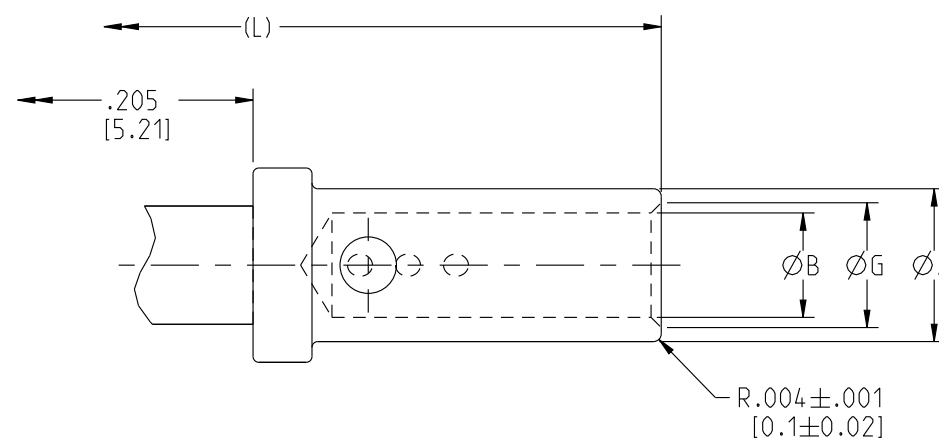
3. MATERIAL: BRASS.

4. FINISH: 50 MICROINCHES [1.27 MICRONS] MIN. GOLD OVER 75 MICROINCHES [1.91 MICRONS] MIN. NICKEL OVER COPPER FLASH.

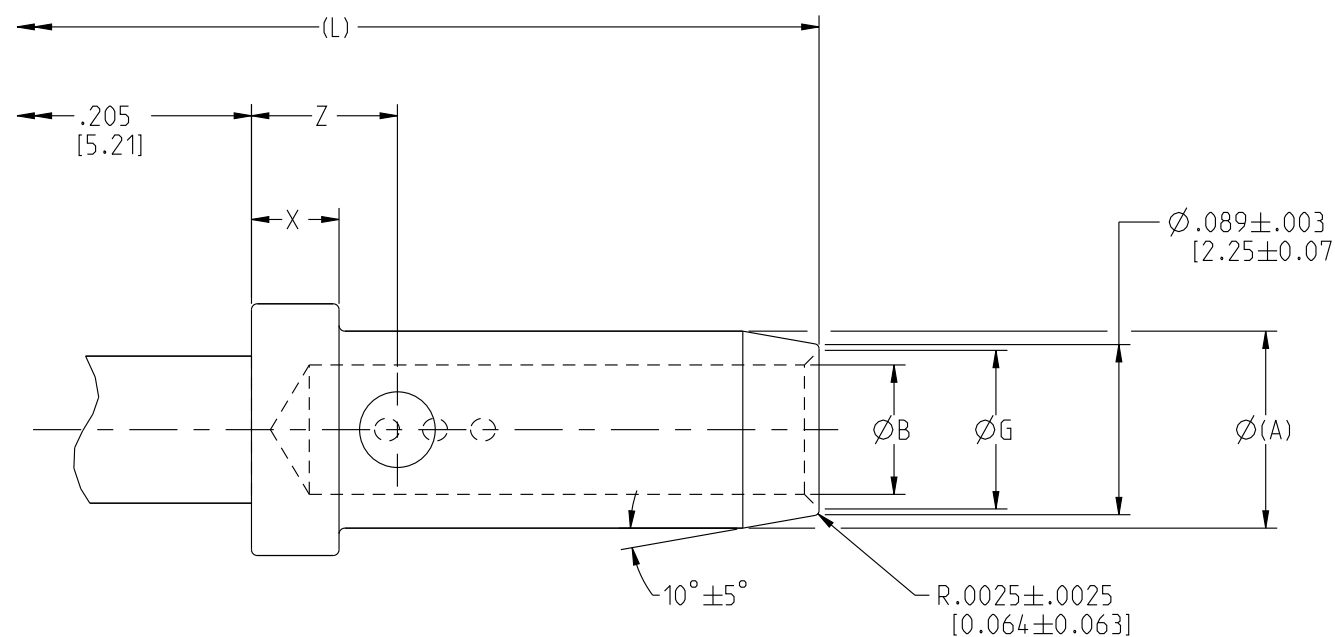
5 RBM18M-1DJ5 SAME AS RBM20M-1DJ5, EXCEPT CRIMP BARREL HAS BEEN CHANGED TO ACCOMMODATE 18-20 AWG.



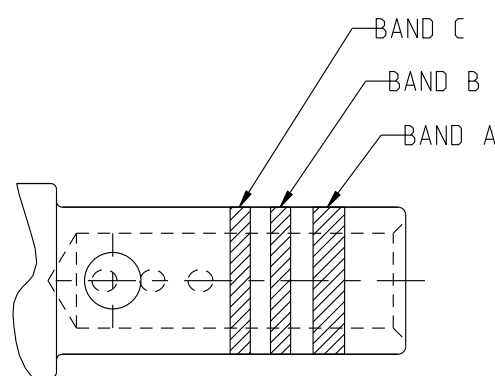
RBM20M-1DJ5 SHOWN SIZE 20 WIRE BARREL



RBM18M-1DJ5 SHOWN SIZE 18 WIRE BARREL



RBM16V-1DJ5 SHOWN SIZE 16 WIRE BARREL



VIEW A COLOR BANDS (SEE TABLE)

CATALOG DESCRIPTION

RBM - - - 1 DJ5
 WIRE SIZE
 MATING END SIDE
 M: Ø.062
 V: Ø.077

PLATING DESIGNATOR
 VARIATION
 -1: STANDARD

F	REVISED PER ECN 12121	RSK 01-17-14	SDH 01-17-14
E	REVISED PER ECN 12046	RSK 08-22-13	SDH 08-22-13
REV	DESCRIPTION	BY DATE	CHKD DATE

DRAWING TITLE
CRIMP PIN CONTACTS

CAT NO. **RBM - - -1DJ5 (SEE TABLE)**

CAGE NO: 09922 SIZE: C

CUSTOMER

SOURIAU

WWW.SOURIAU.COM

APPROVAL
 DRAWN: RSK 07-24-13
 CHKD: SDH 07-24-13
 DSGN: RS 04-08-92
 MFG: DH 07-24-13
 QC: BB 07-24-13
 DRAWING SCALE: 10:1
 DRAWING NO. REV
SE94890 F

1 OF 1

LINEAR MEASURE: $\frac{\text{INCH}}{\text{mm}}$ INCH [mm]

THIRD ANGLE PROJECTION

TOLERANCES UNLESS OTHERWISE SPECIFIED

No. OF PLACES	INCH [mm]
ONE PLACE	±.1 [±3]
TWO PLACES	±.02 [±0.5]
THREE PLACES	±.010 [±0.25]

ANGLES ±1°