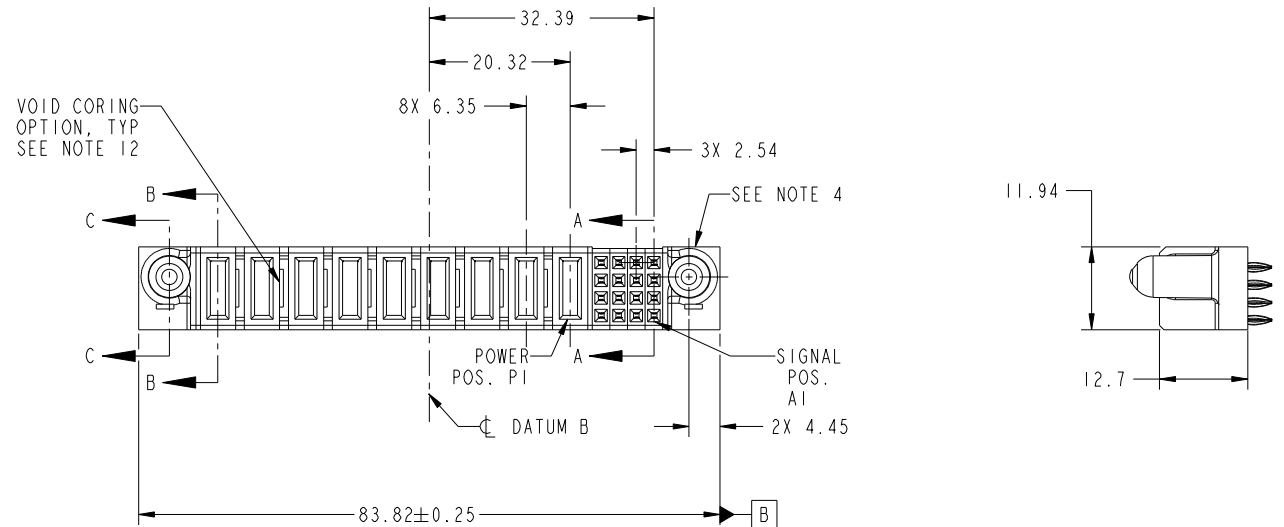


Tous droits strictement reserves. Reproduction ou communication a des tiers interdite sous quelque forme que ce soit sans autorisation écrite du propriétaire. Propriete de c FCI. Droits de reproduction FCI.



All rights strictly reserved. Reproduction or issue to third parties in any form whatever is not permitted without written authority from the proprietor. Property of FCI. Copyright FCI.

PRODUCT NO.	ROWS	POWER										SIGNAL				
		E2	P9	P8	P7	P6	P5	P4	P3	P2	P1	4	3	2	1	E1
51751-020-- NOTE: 3	D C B A		PC	PF	PF	PF	PF	PF	PF	PF	PC	F	F	F	F	



CODE	DIM "M" MATING LENGTH	CONTACT TYPE
PF	[ 2.34 ]	POWER
F	[ N/A ]	SIGNAL
PC	[ 1.07 ]	POWER

mat'l code				SEE NOTES		tolerances unless otherwise specified		CUSTOMER		 www.fciconnect.com	
ltr	ecn no.	dr	date	linear		0.X ±0.5		COPY		title	
A	DG09-0398	WL	12/23/09	angles		0.XX ±0.25		projection		16S + 9P	
						0.XXX ±0.1				VERTICAL PRESS-FIT RECEPT	
				dr	WL ZHANG	12/23/09				product family	PwrBlade
				enr	WL ZHANG	12/24/09		scale		size	code
				chr	PM ZHENG	12/23/09		1:1		dwg no	213
				appd	JOSEPH HSIA	12/23/09				51751-020	sheet
sheet index	revision sheet	A	A	A	A						1 of 4
		1	2	3	4						

cage code 22526

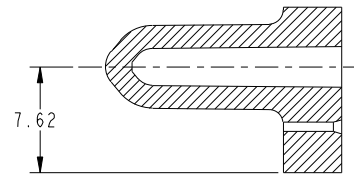
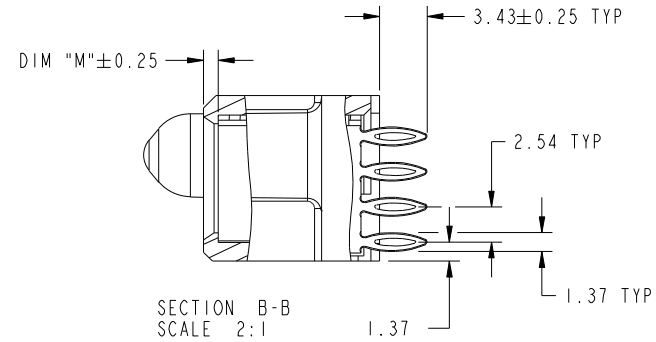
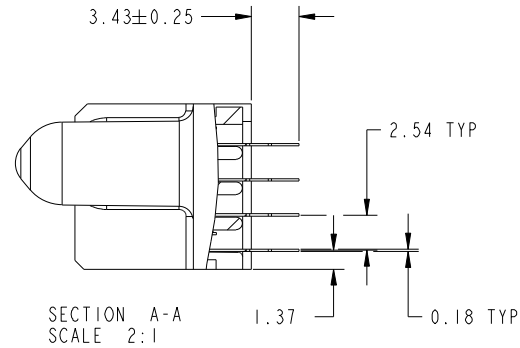
Pro/E

Tous droits strictement reserves. Reproduction ou communication a des tiers interdite sous quelque forme que ce soit sans autorisation écrite du propriétaire. Propriete de c FCI. Droits de reproduction FCI.



All rights strictly reserved. Reproduction or issue to third parties in any form whatever is not permitted without written authority from the proprietor. Property of FCI. Copyright FCI.

PRODUCT NUMBER  
51751-020--  
NOTE: 3



mat'l code				tolerances unless otherwise specified		CUSTOMER		FCI	
ltr	ecn no.	dr	date	linear	0.X ± 0.5	COPY		www.fciconnect.com	
A					0.XX ± 0.25	projection		title	
				angles	0.XXX ± 0.1			16S + 9P VERTICAL PRESS-FIT RECEIPT	
				dr	0° ± 2°			product family PwrBlade code	
				enr	WL ZHANG 12/23/09	scale		size	
				chr	WL ZHANG 12/24/09	1:1		dwg no	
				appd	PM ZHENG 12/23/09			A 51751-020	
					JOSEPH HSIA 12/23/09			sheet	
sheet index	revision sheet							2 of 4	

cage code 22526

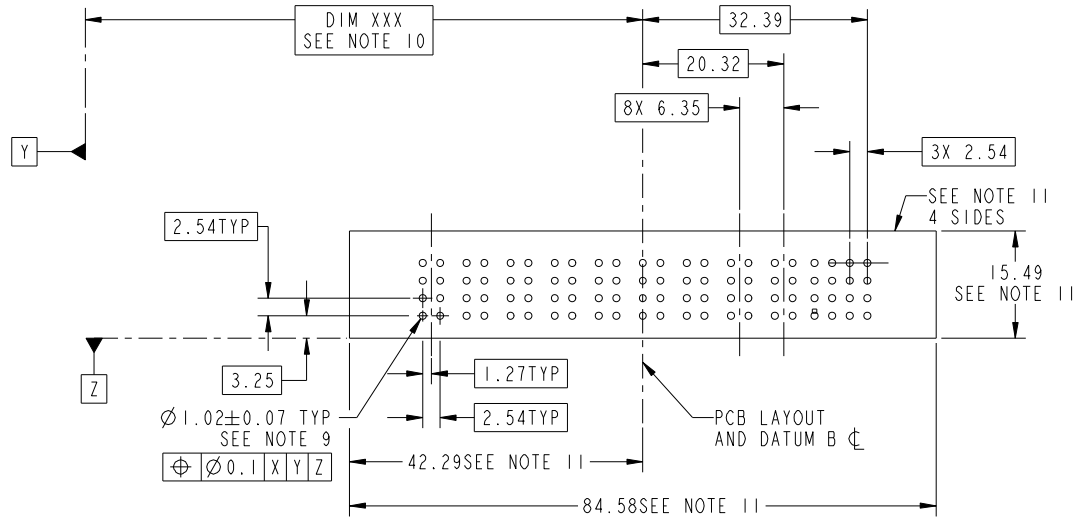
Pro/E

Tous droits strictement reserves. Reproduction ou communication a des tiers interdite sous quelque forme que ce soit sans autorisation écrite du propriétaire. Propriete de c FCI. Droits de reproduction FCI.



All rights strictly reserved. Reproduction or issue to third parties in any form whatever is not permitted without written authority from the proprietor. Property of FCI. Copyright FCI.

PRODUCT NUMBER  
51751-020--  
NOTE: 3



PCB RECOMMENDED LAYOUT

mat'l code				tolerances unless otherwise specified		CUSTOMER		FCI	
ltr	ecn no.	dr	date	linear	$0.X \pm 0.5$	COPY		www.fciconnect.com	
A					$0.XX \pm 0.25$	projection		title 16S + 9P	
				angles	$0.XXX \pm 0.1$			VERTICAL PRESS-FIT RECEPT	
				dr	WL ZHANG 12/23/09	MIM		product family	PwrBlade
				enrg	WL ZHANG 12/24/09			size	code 213
				chr	PM ZHENG 12/23/09	scale		dwg no	sheet
				appd	JOSEPH HSIA 12/23/09	1:1		A 51751-020	3 of 4
sheet index	revision sheet								

cage code 22526

Pro/E

Tous droits strictement reserves. Reproduction ou communication a des tiers interdite sous quelque forme que ce soit sans autorisation écrite du propriétaire. Propriete de c FCI. Droits de reproduction FCI.

All rights strictly reserved. Reproduction or issue to third parties in any form whatever is not permitted without written authority from the proprietor. Property of FCI. Copyright FCI.

PRODUCT NUMBER  
51751-020--  
NOTE: 3

NOTES:

1. DIMENSIONS AND TOLERANCES ARE IN ACCORDANCE WITH ASME Y14.5M, 1994 UNLESS OTHERWISE SPECIFIED.

CONNECTOR NOTES:

- 2 HOUSING MATERIAL: UL 94 V-0 GLASS FILLED HIGH-TEMP THERMOPLASTIC  
POWER CONTACT MATERIAL: COPPER ALLOY  
SIGNAL PIN MATERIAL: COPPER ALLOY
  - 3. PLATING SPEC.  
SEE ITEM 7 & 8 IN PRINT 10064183 FOR PLATING SPEC. OF 51751-020, 51751-020LF RESPECTIVELY.
  - 4 MANUFACTURER'S NAME, DATE CODE AND OPTIONAL P/N TO APPEAR ON THIS SURFACE. THE P/N CAN BE OMITTED IF THERE IS NOT ENOUGH SPACE ON THIS SURFACE.
  - 5. PRODUCT SPECIFICATION GS-12-149.  
APPLICATION SPECIFICATION BUS-20-067.
  - 6. PACKAGED IN TRAYS.
- PCB NOTES:
- 7. ALL HOLE DIAMETERS ARE FINISHED HOLE SIZE.
  - 8 MOUNTING HOLES, WHERE APPLICABLE, ARE UNPLATED.
  - 9  $\varnothing 1.151 \pm 0.025$  DRILLED HOLES PLATED WITH 0.008 MIN SnPb OR Sn OVER 0.03 TO 0.08 Cu PLATING TO ACHIEVE  $\varnothing 1.02 \pm 0.07$  HOLE.
  - 10 "DIM XXX" TO BE DETERMINED BY THE CUSTOMER.
  - 11 CONNECTOR KEEP-OUT ZONE.
12. THE VOID CORING IN BETWEEN POWER MODULES, SIGNAL MODULES AND END MODULES ARE OPTIONAL AND THE SHAPE MAY BE DIFFERENT FOR OPTIMIZE THE MOLDING PROCESS. THE VOID CORING WILL NOT EFFECT TO PRODUCT FUNCTION.

mat'l code				tolerances unless otherwise specified		CUSTOMER		FCI	
ltr	ecn no.	dr	date	linear	0.X ± 0.5	COPY		www.fciconnect.com	
A				linear	0.XX ± 0.25	projection		title 16S + 9P	
				angles	0.XXX ± 0.1			VERTICAL PRESS-FIT RECEPT	
				dr	0° ± 2°	MIM		product family PwrBlade code 213	
				enrg	WL ZHANG 12/24/09	scale		size dwg no 51751-020 sheet 213	
				chr	PM ZHENG 12/23/09	1:1		A 4 of 4	
				appd	JOSEPH HSIA 12/23/09				
sheet index	revision sheet								

cage code 22526

Pro/E