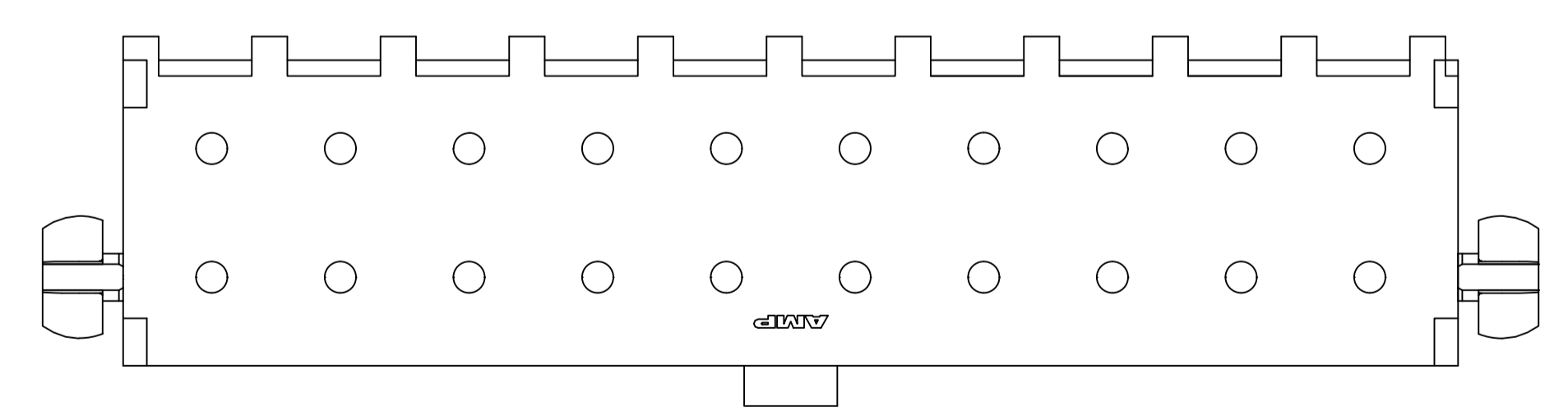
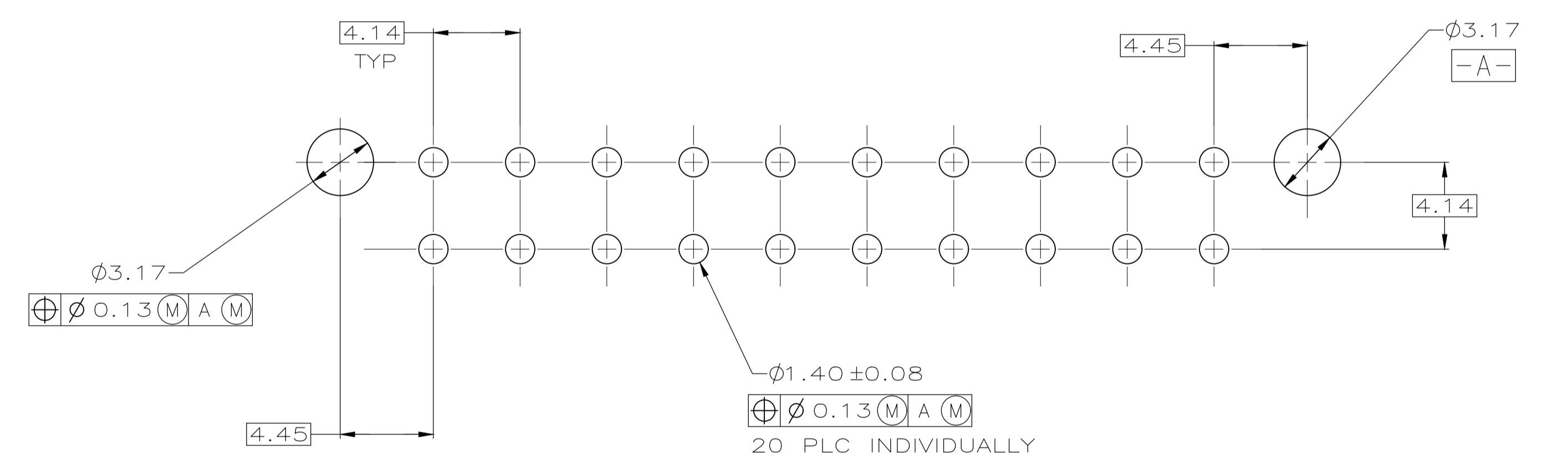
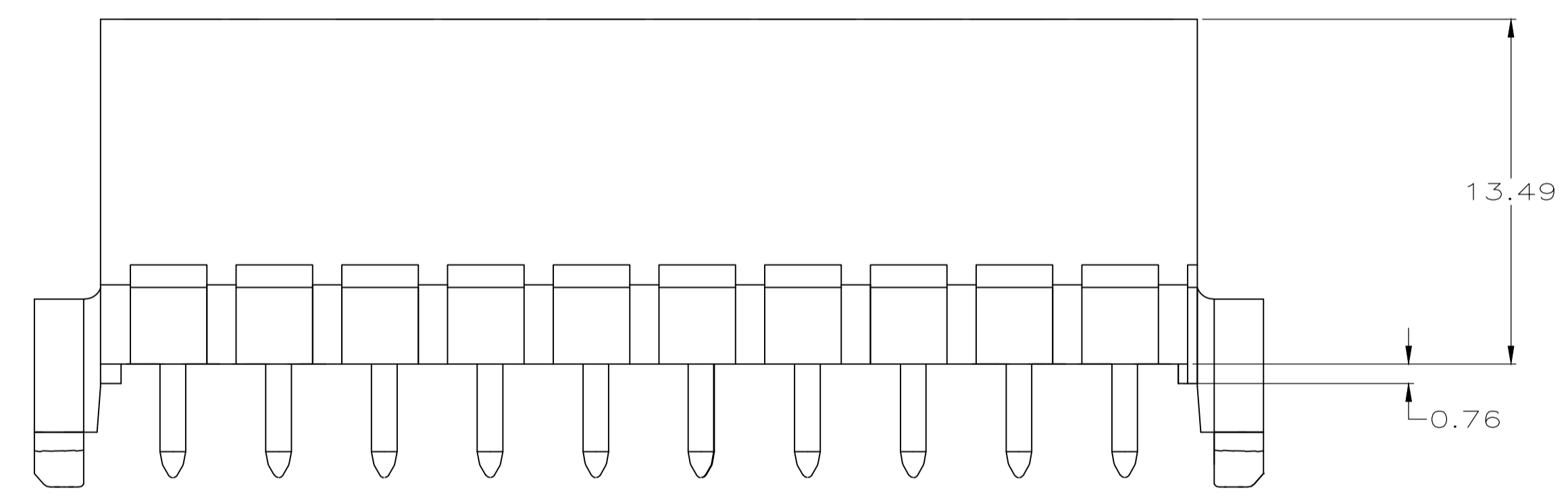
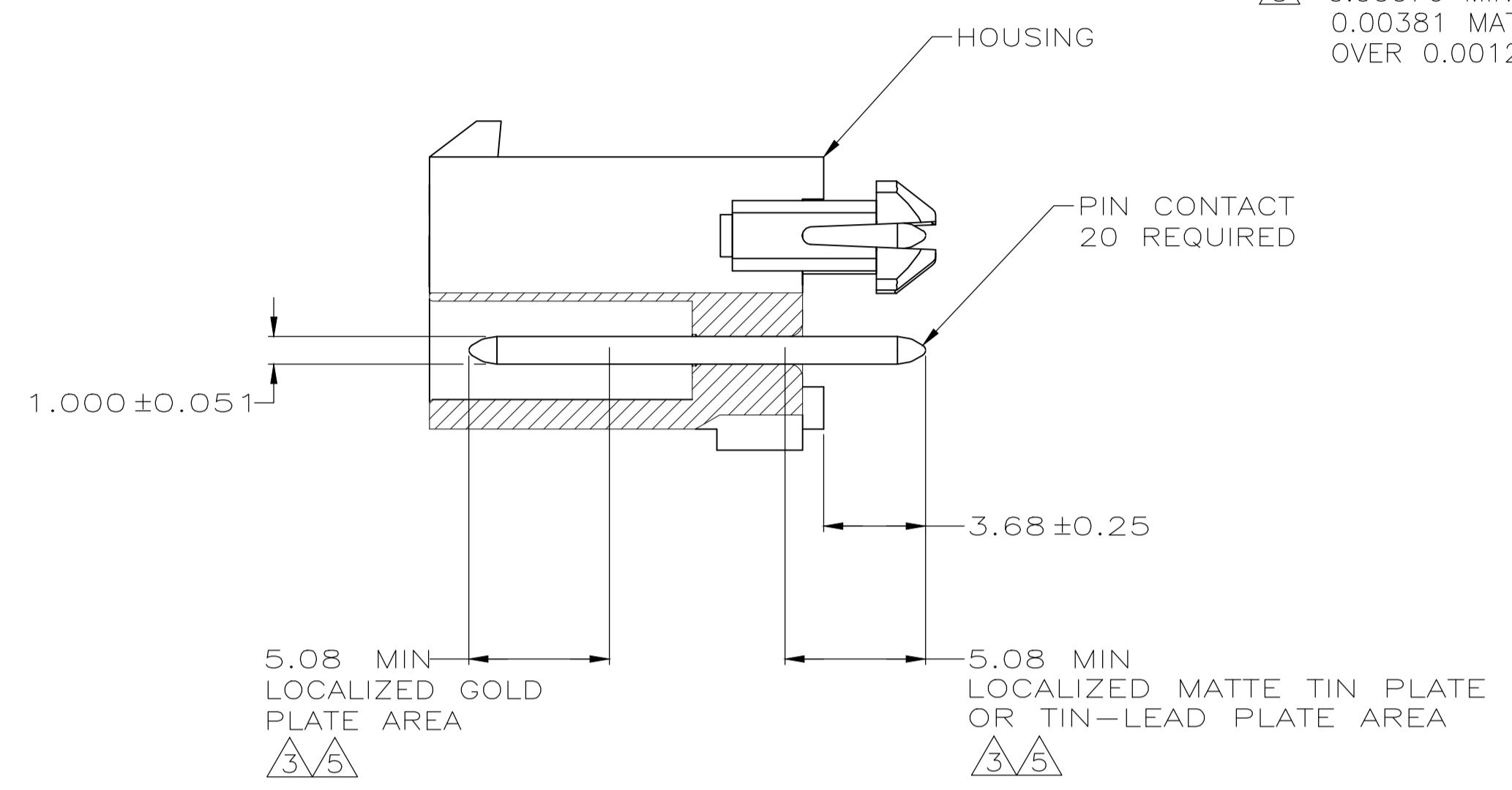
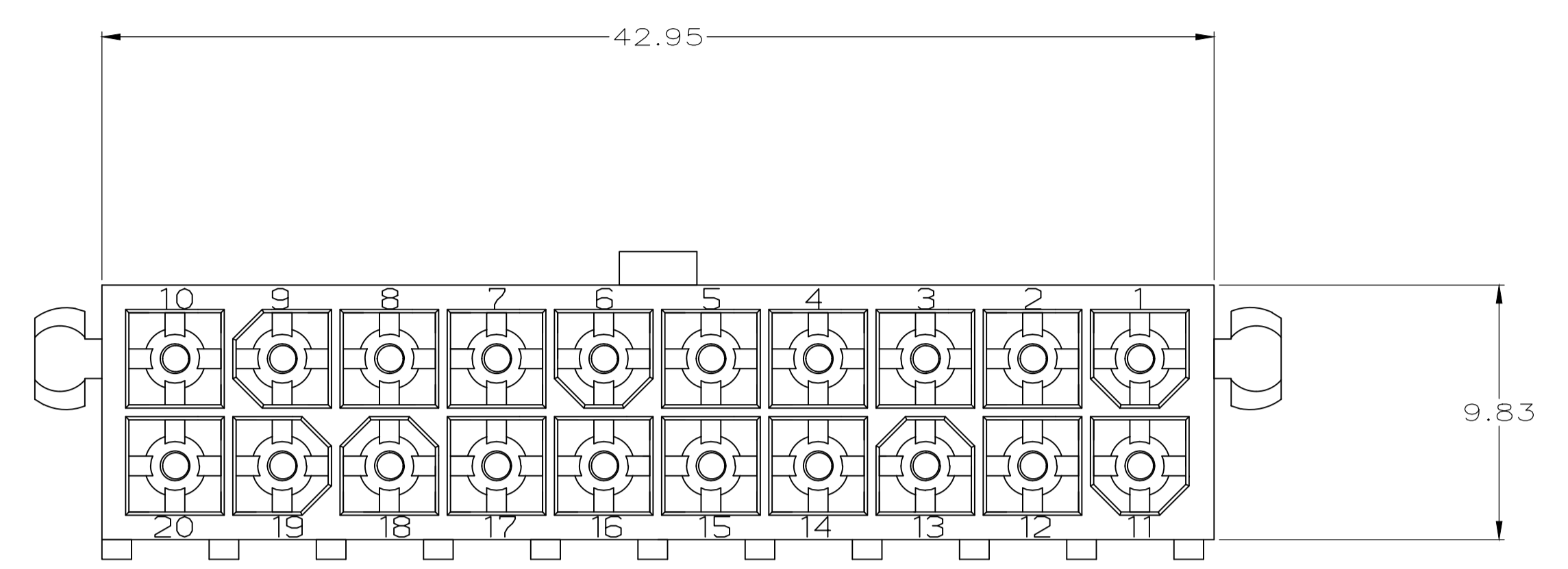


- PINS TO COMPLY WITH AMP SOLDERABILITY SPEC. 108-11-3.
- 0.00381 MIN MATTE TIN LEAD OVER 0.00127 MIN NICKEL.
- 0.00076 MIN GOLD PLATE IN THE LOCALIZED PLATE AREA, 0.00381 MATTE TIN LEAD IN THE LOCALIZED PLATE AREA, BOTH OVER 0.00127 MIN NICKEL.
- 0.00381 MIN MATTE TIN OVER 0.00127 MIN NICKEL.
- 0.00076 MIN GOLD PLATE IN THE LOCALIZED PLATE AREA, 0.00381 MATTE TIN IN THE LOCALIZED PLATE AREA, BOTH OVER 0.00127 MIN NICKEL.



	BRASS, GOLD	NYLON, 94V-0, WHITE	1-794077-1
	BRASS, TIN	NYLON, 94V-0, WHITE	1-794077-0
	BRASS, GOLD	NYLON, 94V-0, WHITE	794077-2
OBSOLETE	BRASS, TIN LEAD	NYLON, 94V-0, WHITE	794077-1
PIN CONTACT MATERIAL AND FINISH		HOUSING MATERIAL AND COLOR	PART NUMBER

THIS DRAWING IS A CONTROLLED DOCUMENT.

DIMENSIONS: mm	TOLERANCES UNLESS OTHERWISE SPECIFIED:	DIN K WHITAKER 5-18-95	CHK R SWING 5-18-95	APVD R ORSTAD 6-13-95	NAME	
0 PLC ± -	1 PLC ± -	TE Connectivity HEADER ASSEMBLY, CLOSED BOTTOM, 20 CIRCUIT, DOUBLE ROW VERTICAL, MINI-UNIVERSAL MATE-N-LOK(TM)			SIZE	
2 PLC ± 0.13	3 PLC ± -				APPLICATION SPEC	RESTRICTED TO
4 PLC ± -	ANGLES ± -				WEIGHT	SCALE
MATERIAL SEE TABLE	FINISH SEE TABLE				CUSTOMER DRAWING	SHEET

WEIGHT: ---
 SCALE: 5:1
 SHEET: 1 of 1
 REV: E1