

# TCAN1043A-Q1 Automotive Low-Power Fault Protected CAN FD Transceiver With Sleep Mode

## 1 Features

- AEC Q100 (Grade 1) Qualified for automotive applications
- **Functional Safety-Capable**
  - [Documentation available to aid in functional safety system design](#)
- Meets the requirements of ISO 11898-2:2016
- Wide input operational voltage range
- Supports classic CAN and CAN FD up to 8 Mbps (TCAN1043A-Q1) or 5 Mbps (TCAN1043AT-Q1)
- $V_{IO}$  level shifting supports: 1.7 V to 5.5 V
- Operating modes:
  - Normal mode
  - Silent mode
  - Standby mode
  - Low-power sleep mode
- High-voltage INH output for system power control
- Local wake-up support via the WAKE pin
- Sleep Wake Error (SWE) timer enables safe transition from standby mode to sleep mode in the event of a system power failure or software fault
  - Allows for extended power-up time
- Defined behavior when unpowered
  - Bus and IO terminals are high impedance (no load to operating bus or application)
- Protection features:
  - $\pm 58$ -V CAN bus fault tolerant
  - Load dump support on  $V_{SUP}$
  - IEC ESD protection
  - Under-voltage protection
  - Thermal shutdown protection
  - TXD dominant state timeout (TXD DTO)
- Available in 14-pin leaded (SOT and SOIC) packages and leadless (VSON) package with wettable flanks for improved automated optical inspection (AOI) capability

## 2 Applications

- [Body electronics and lighting](#)
- [Automotive gateway](#)
- [Advanced driver assistance systems \(ADAS\)](#)
- [Infotainment and cluster](#)
- [Hybrid, electric & powertrain systems](#)
- [Personal transport vehicles - electric bike](#)
- [Industrial transportation](#)

## 3 Description

The TCAN1043A-Q1 is a high-speed Controller Area Network (CAN) transceiver that meets the physical layer requirements of the ISO 11898-2:2016 high-speed CAN specification. The device supports both classical CAN and CAN FD data rates up to 8 megabits per second (Mbps) (TCAN1043A-Q1) or 5 Mbps (TCAN1043AT-Q1).

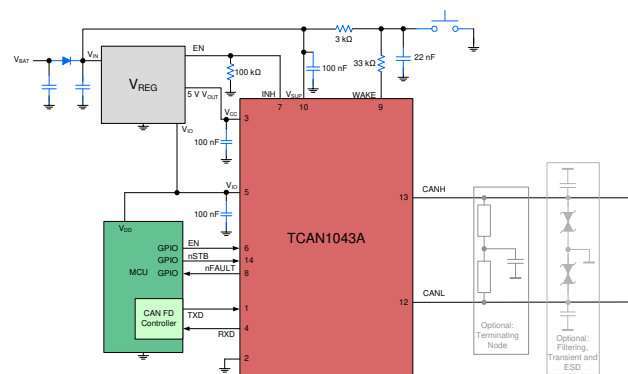
The TCAN1043A-Q1 allows for system-level reductions in battery current consumption by selectively enabling the various power supplies that may be present on a system via the INH output pin. This allows a low-current sleep state in which power is gated to all system components except for the TCAN1043A-Q1, while monitoring the CAN bus. When a wake-up event is detected, the TCAN1043A-Q1 initiates system start-up by driving INH high.

The TCAN1043A-Q1 features an SWE timer that enables a safe transition to Sleep mode after 4 minutes ( $t_{INACTIVE}$ ) of inactivity in Standby mode. This makes sure the device is transitioned to low-power Sleep mode if the MCU fails to transition the device to Normal mode.

### Package Information

PART NUMBER	PACKAGE <sup>(1)</sup>	BODY SIZE (NOM)
TCAN1043A-Q1	SOT (DYY)	4.20 mm x 2.00 mm
	SOIC (D)	8.65 mm x 3.90 mm
	VSON (DMT)	4.50 mm x 3.00 mm
TCAN1043AT-Q1	SOIC (D)	8.65 mm x 3.90 mm
	VSON (DMT)	4.50 mm x 3.00 mm

- (1) For all available packages, see the orderable addendum at the end of the data sheet.



**Simplified Schematic**



## Table of Contents

<b>1 Features</b> .....	1	8.2 Functional Block Diagram.....	19
<b>2 Applications</b> .....	1	8.3 Feature Description.....	20
<b>3 Description</b> .....	1	8.4 Device Functional Modes.....	27
<b>4 Revision History</b> .....	2	<b>9 Application Information Disclaimer</b> .....	37
<b>5 Pin Configuration and Functions</b> .....	4	9.1 Application Information.....	37
<b>6 Specifications</b> .....	5	9.2 Application Curves.....	39
6.1 Absolute Maximum Ratings.....	5	<b>10 Power Supply Recommendations</b> .....	39
6.2 ESD Ratings.....	5	<b>11 Layout</b> .....	40
6.3 ESD Ratings - IEC Specifications.....	5	11.1 Layout Guidelines.....	40
6.4 Recommended Operating Conditions.....	6	11.2 Layout Example.....	40
6.5 Thermal Information.....	6	<b>12 Device and Documentation Support</b> .....	41
6.6 Power Dissipation Ratings.....	6	12.1 Documentation Support.....	41
6.7 Power Supply Characteristics.....	6	12.2 Receiving Notification of Documentation Updates.....	41
6.8 Electrical Characteristics.....	8	12.3 Support Resources.....	41
6.9 Timing Requirements.....	10	12.4 Trademarks.....	41
6.10 Switching Characteristics.....	12	12.5 Electrostatic Discharge Caution.....	41
6.11 Typical Characteristics.....	14	12.6 Glossary.....	41
<b>7 Parameter Measurement Information</b> .....	15	<b>13 Mechanical, Packaging, and Orderable Information</b> .....	41
<b>8 Detailed Description</b> .....	19		
8.1 Overview.....	19		

## 4 Revision History

NOTE: Page numbers for previous revisions may differ from page numbers in the current version.

Changes from Revision D (January 2023) to Revision E (March 2023)	Page
Deleted text from the first paragraph of <a href="#">Local Wake-Up (LWU) via WAKE Input Terminal</a> .....	31

Changes from Revision C (April 2022) to Revision D (January 2023)	Page
Added TCAN1043AT-Q1 to the <i>Package Information</i> table.....	1
Added part number TCAN1043AT-Q1 to the data sheet <i>Specifications</i> .....	5
Added minimum specification to the $t_{\text{SILENCE}}$ parameter in the <i>Device Characteristics</i> section.....	10
Changed <a href="#">Figure 7-6</a> to remove the nSTB signal from the TX block.....	15
Added a link to <a href="#">Table 8-1</a> in the <i>nFAULT</i> Pin section.....	20
Changed <a href="#">Table 8-1</a> to add a comment in the Power-up, Wake-up Source Recognition and TXDRXD event flags in the <i>Internal and External Fault Indicators</i> section.....	21
Changed <a href="#">Figure 8-4</a> to accurately reflect the behavior of the SWE timer. Added notes 4 and 5 showing the transition from silent mode to sleep mode due to SWE timer timeout.....	27
Added <a href="#">Figure 8-5</a> to explain the steps to transition from sleep mode to silent or normal mode when sleep mode is entered due to SWE timer timeout.....	27
Added a paragraph describing the steps needed to enter Normal or Silent mode directly from Sleep mode using EN and nSTB pins in the <a href="#">Sleep Mode</a> section. ....	29
Changed <a href="#">Figure 8-8</a> to indicate $t_{\text{INH\_SLP\_STB}}$ delay on the INH waveform.....	31
Changed <a href="#">Figure 8-9</a> to indicate $t_{\text{INH\_SLP\_STB}}$ delay on the INH waveform.....	31
Changed <a href="#">Figure 8-10</a> to convert '&' to 'and', clarified that RXD pin is in High Impedance in the 'CAN Off state' .....	33
Added Note 2 to <a href="#">Figure 8-10</a> .....	33
Changed text From: "The CAN Transceiver blocks its transmitter and receiver" To: "The CAN transceiver blocks its transmitter" in the <i>CAN Active</i> section.....	35

Changes from Revision B (December 2021) to Revision C (April 2022)	Page
Deleted Product Preview from the SOT (DYY) package in the <i>Package Information</i> table.....	1

- Changed the INH pin transistor connection in [Figure 8-1](#) ..... 19
- 

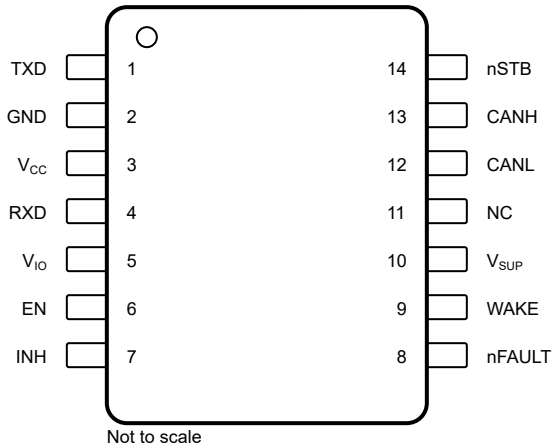
**Changes from Revision A (October 2021) to Revision B (December 2021) Page**

- Deleted Product Preview from the SOIC (D) package in the *Package Information* table..... 1
- 

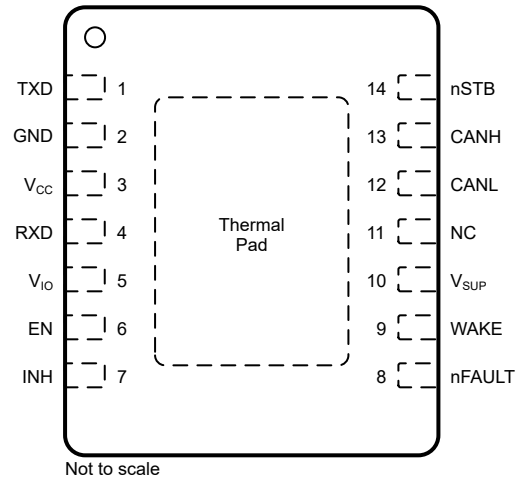
**Changes from Revision \* (January 2021) to Revision A (October 2021) Page**

- Changed from *Advanced Information* to: *Production data*..... 1
-

## 5 Pin Configuration and Functions



**Figure 5-1. D and DYY Packages, 14 Pin (SOIC) and (SOT)  
(Top View)**



**Figure 5-2. DMT Package, 14 Pin (VSON)  
(Top View)**

PINS		TYPE (1)	DESCRIPTION
NAME	NO.		
TXD	1	I	CAN transmit data input, integrated pull-up
GND	2	GND	Ground connection
V <sub>CC</sub>	3	P	5 V transceiver supply
RXD	4	O	CAN receive data output, tri-state when V <sub>IO</sub> < UV <sub>IO</sub>
V <sub>IO</sub>	5	P	I/O supply voltage
EN	6	I	Enable input for mode control, integrated pull-down
INH	7	O	Inhibit pin to control system voltage regulators and supplies, high-voltage
nFAULT	8	O	Fault output, inverted logic
WAKE	9	I	Local WAKE input terminal, high voltage
V <sub>SUP</sub>	10	P	High-voltage supply from battery
NC	11	NC	No connect, internally not connected
CANL	12	I/O	Low-level CAN bus input/output line
CANH	13	I/O	High-level CAN bus input/output line
nSTB	14	I	Standby mode control input, integrated pull-down
Thermal Pad		—	Connect the thermal pad to the printed circuit board (PCB) ground plane for thermal relief

(1) I = input, O = output, P = power, GND = ground, NC = not connected

## 6 Specifications

### 6.1 Absolute Maximum Ratings

over operating free-air temperature range (unless otherwise noted)<sup>(1)</sup>

		MIN	MAX	UNIT
V <sub>SUP</sub>	Supply voltage <sup>(2)</sup>	-0.3	45	V
V <sub>CC</sub>	Supply voltage	-0.3	6	V
V <sub>IO</sub>	Supply voltage I/O level shifter	-0.3	6	V
V <sub>BUS</sub>	CAN bus I/O voltage (CANH, CANL)	-58	58	V
V <sub>DIFF</sub>	CAN bus differential voltage (V <sub>DIFF</sub> = V <sub>CANH</sub> - V <sub>CANL</sub> )	-58	58	V
V <sub>WAKE</sub>	WAKE input voltage	-45	45 and V <sub>I</sub> ≤ V <sub>SUP</sub> +0.3	V
V <sub>INH</sub>	INH pin voltage	-0.3	45 and V <sub>O</sub> ≤ V <sub>SUP</sub> +0.3	V
V <sub>LOGIC</sub>	Logic pin voltage	-0.3	6	V
I <sub>O(LOGIC)</sub>	Logic pin output current		8	mA
I <sub>O(INH)</sub>	Inhibit pin output current		6	mA
I <sub>O(WAKE)</sub>	WAKE pin output current		3	mA
T <sub>J</sub>	Junction temperature	-40	165	°C
T <sub>STG</sub>	Storage temperature	-65	150	°C

- Operation outside the Absolute Maximum Ratings may cause permanent device damage. Absolute maximum ratings do not imply functional operation of the device at these or any other conditions beyond those listed under Recommended Operating Conditions. If briefly operating outside the Recommended Operating Conditions but within the Absolute Maximum Ratings, the device may not sustain damage, but it may not be fully functional. Operating the device in this manner may affect device reliability, functionality, performance, and shorten the device lifetime.
- Able to support load dumps of up to 45 V for 300ms

### 6.2 ESD Ratings

			VALUE	UNIT	
V <sub>ESD</sub>	Electrostatic discharge	Human body model (HBM), per AEC Q100-002 <sup>(1)</sup>	V <sub>SUP</sub> , CANH, CANL, and WAKE with respect to ground	± 8000	V
			All pins except V <sub>SUP</sub> , CANH, CANL, and WAKE	± 4000	V
		Charged device model (CDM), per AEC Q100-011	All pins	± 750	V

- AEC Q100-002 indicates that HBM stressing shall be in accordance with the ANSI/ESDA/JEDEC JS-001 specification.

### 6.3 ESD Ratings - IEC Specifications

			VALUE	UNIT	
V <sub>ESD</sub>	Electrostatic discharge	CANH, CANL, V <sub>SUP</sub> , and WAKE terminal to GND	Unpowered Contact Discharge per ISO 10605 <sup>(1)</sup>	± 8000	V
V <sub>ESD</sub>	Electrostatic discharge	CANH and CANL terminal to GND	SAE J2962-2 per ISO 10605 Powered Contact Discharge <sup>(2)</sup>	± 8000	V
V <sub>ESD</sub>	Electrostatic discharge	CANH and CANL terminal to GND	SAE J2962-2 per ISO 10605 Powered Air discharge <sup>(2)</sup>	± 15000	V
V <sub>TRAN</sub>	Transient voltage per ISO-7637-2 <sup>(1)</sup>	CAN, V <sub>SUP</sub> , WAKE terminal to GND	Pulse 1	- 100	V
			Pulse 2	75	V
			Pulse 3a	- 150	V
			Pulse 3b	100	V
	Transient voltage per ISO-7637-3 <sup>(2)</sup>	CAN terminal to GND	Direct coupling capacitor "slow transient pulse" with 100 nF coupling capacitor - powered	± 30	V

- Results given here are specific to the IEC 62228-3 Integrated circuits – EMC evaluation of transceivers – Part 3: CAN transceivers. Testing performed by IBEE Zwickau, EMC report available upon request.

**TCAN1043A-Q1**

SLLSFD1E – JANUARY 2021 – REVISED MARCH 2023

- (2) Results given here are specific to the SAE J2962-2 Communication Transceivers Qualification Requirements - CAN. Testing performed by OEM-approved independent 3<sup>rd</sup> party, EMC report available upon request.

## 6.4 Recommended Operating Conditions

over operating free-air temperature range (unless otherwise noted)

		MIN	NOM	MAX	UNIT
V <sub>SUP</sub>	Supply voltage	4.5		40	V
V <sub>IO</sub>	I/O supply voltage	1.7		5.5	V
V <sub>CC</sub>	CAN transceiver supply voltage	4.5		5.5	V
I <sub>OH(DO)</sub>	Digital output high-level current	-2			mA
I <sub>OL(DO)</sub>	Digital output low-level current			2	mA
I <sub>O(INH)</sub>	Inhibit output current			1	mA
T <sub>J</sub>	Operating junction temperature	-40		150	°C
T <sub>SDR</sub>	Thermal shutdown	175			°C
T <sub>SDF</sub>	Thermal shutdown release	160			°C
T <sub>SD(HYS)</sub>	Thermal shutdown hysteresis		10		°C

## 6.5 Thermal Information

THERMAL METRIC <sup>(1)</sup>		TCAN1043A-Q1			UNIT
		D (SOIC)	DMT (VSON)	DYY (SOT)	
		14 PINS	14 PINS	14 PINS	
R <sub>θJA</sub>	Junction-to-ambient thermal resistance	87.1	39.7	91.0	°C/W
R <sub>θJC(top)</sub>	Junction-to-case (top) thermal resistance	41.8	41.1	41.7	°C/W
R <sub>θJB</sub>	Junction-to-board thermal resistance	43.7	15.9	25.6	°C/W
Ψ <sub>JT</sub>	Junction-to-top characterization parameter	8.5	0.9	25.4	°C/W
Ψ <sub>JB</sub>	Junction-to-board characterization parameter	43.3	15.9	1.1	°C/W
R <sub>θJC(bot)</sub>	Junction-to-case (bottom) thermal resistance	N/A	6.6	N/A	°C/W

- (1) For more information about traditional and new thermal metrics, see the [Semiconductor and IC Package Thermal Metrics](#) application report.

## 6.6 Power Dissipation Ratings

PARAMETER	TEST CONDITIONS	POWER DISSIPATION	UNIT
P <sub>D</sub>	V <sub>SUP</sub> = 14 V, V <sub>CC</sub> = 5 V, V <sub>IO</sub> = 5 V, T <sub>J</sub> = 27°C, R <sub>L</sub> = 60 Ω, nSTB = 5 V, EN = 5 V, C <sub>L_RXD</sub> = 15 pF. Typical CAN operating conditions at 500 kbps with 25% transmission (dominant) rate.	62	mW
	V <sub>SUP</sub> = 14 V, V <sub>CC</sub> = 5.5 V, V <sub>IO</sub> = 5.5 V, T <sub>J</sub> = 150°C, R <sub>L</sub> = 50 Ω, nSTB = 5.5 V, EN = 5.5 V, C <sub>L_RXD</sub> = 15 pF. Typical high load CAN operating conditions at 1 Mbps with 50% transmission (dominant) rate and loaded network.	135	mW

## 6.7 Power Supply Characteristics

 Over recommended operating conditions with T<sub>J</sub> = -40°C to 150°C, unless otherwise noted. All typical values are taken at 25°C, V<sub>SUP</sub> = 12 V, V<sub>IO</sub> = 3.3 V, V<sub>CC</sub> = 5 V and R<sub>L</sub> = 60 Ω

PARAMETER	TEST CONDITIONS	MIN	TYP	MAX	UNIT
<b>Supply Voltage and Current Characteristics</b>					
I <sub>SUP_NORMAL</sub>	Supply current CAN active	Normal mode, silent mode, and go-to-sleep mode		130	μA
I <sub>SUP_STBY</sub>	Supply current, Standby mode CAN autonomous: inactive <sup>(2)</sup>			60	μA
I <sub>SUP_SLEEP</sub>	Supply current, Sleep mode CAN autonomous: inactive <sup>(2)</sup>		18	30	μA

## 6.7 Power Supply Characteristics (continued)

Over recommended operating conditions with  $T_J = -40^\circ\text{C}$  to  $150^\circ\text{C}$ , unless otherwise noted. All typical values are taken at  $25^\circ\text{C}$ ,  $V_{\text{SUP}} = 12\text{ V}$ ,  $V_{\text{IO}} = 3.3\text{ V}$ ,  $V_{\text{CC}} = 5\text{ V}$  and  $R_L = 60\ \Omega$

PARAMETER		TEST CONDITIONS	MIN	TYP	MAX	UNIT
$I_{\text{SUP\_BIAS}}$	Additional supply current when in CAN autonomous: active ( $I_{\text{SUP(BIAS)}}$ )	$5.5\text{ V} < V_{\text{SUP}} \leq 28\text{ V}$ <sup>(1)</sup> See <a href="#">Figure 7-3</a>			50	$\mu\text{A}$
$UV_{\text{SUP(R)}}$	Undervoltage $V_{\text{SUP}}$ threshold rising		3.85		4.4	V
$UV_{\text{SUP(F)}}$	Undervoltage $V_{\text{SUP}}$ threshold falling		3.5		4.25	V
$I_{\text{CC\_NORMAL}}$	Supply current CAN active: dominant	Normal mode TXD = 0 V, $R_L = 60\ \Omega$ , $C_L = \text{open}$ See <a href="#">Figure 7-3</a>			60	mA
		Normal mode TXD = 0 V, $R_L = 50\ \Omega$ , $C_L = \text{open}$ See <a href="#">Figure 7-3</a>			70	mA
	$V_{\text{CC}}$ supply current normal mode Dominant with bus fault	Normal mode TXD = 0 V, $R_L = \text{open}$ , $C_L = \text{open}$ , CANH = -25 V See <a href="#">Figure 7-3</a>			110	mA
	Supply current CAN active: recessive	Normal mode TXD = 0 V, $R_L = 50\ \Omega$ , $C_L = \text{open}$ See <a href="#">Figure 7-3</a>			5	mA
$I_{\text{CC\_STBY}}$	Supply current, Standby mode CAN autonomous: inactive	$T_J = -40^\circ\text{C}$ to $85^\circ\text{C}$ EN = nSTB = 0 V See <a href="#">Figure 7-3</a>			2	$\mu\text{A}$
		Standby mode EN = nSTB = 0 V See <a href="#">Figure 7-3</a>			5	$\mu\text{A}$
$I_{\text{CC\_SILENT}}$	Supply current, Silent and go-to-sleep mode	Silent and go-to-sleep mode TXD = nSTB = $V_{\text{IO}}$ , $R_L = 50\ \Omega$ , $C_L = \text{open}$ See <a href="#">Figure 7-3</a>			2.5	mA
$I_{\text{CC\_SLEEP}}$	Supply current, Sleep mode CAN autonomous: inactive	Sleep mode $T_J = -40^\circ\text{C}$ to $85^\circ\text{C}$ EN = 0 V or $V_{\text{IO}}$ , nSTB = 0 V See <a href="#">Figure 7-3</a>			2	$\mu\text{A}$
		Sleep mode EN = 0 V or $V_{\text{IO}}$ , nSTB = 0 V See <a href="#">Figure 7-3</a>			5	$\mu\text{A}$
$UV_{\text{CC(R)}}$	Undervoltage $V_{\text{CC}}$ threshold rising			4.1	4.4	V
$UV_{\text{CC(F)}}$	Undervoltage $V_{\text{CC}}$ threshold falling		3.5	3.9		V
$V_{\text{HYS(UVCC)}}$	Hysteresis voltage on $UV_{\text{CC}}$		50	240	320	mV
$I_{\text{IO\_NORMAL}}$	I/O supply current	Normal mode RXD floating, TXD = 0 V			200	$\mu\text{A}$
	I/O supply current	Normal mode, standby mode, or go-to-sleep mode RXD floating, TXD = $V_{\text{IO}}$			5	$\mu\text{A}$
$I_{\text{IO\_SLEEP}}$	I/O supply current	Sleep mode $T_J = -40^\circ\text{C}$ to $85^\circ\text{C}$ nSTB = 0 V			2.5	$\mu\text{A}$
	I/O supply current	Sleep mode nSTB = 0 V			5	$\mu\text{A}$
$UV_{\text{IO(R)}}$	Under voltage $V_{\text{IO}}$ threshold rising	Ramp up		1.4	1.65	V
$UV_{\text{IO(F)}}$	Under voltage $V_{\text{IO}}$ threshold falling	Ramp down	1	1.25		V
$V_{\text{HYS(UVIO)}}$	Hysteresis voltage on $UV_{\text{IO}}$		30	60	160	mV

- $I_{\text{SUP(BIAS)}}$  is calculated by subtracting the supply current in CAN autonomous inactive mode from the total supply current in CAN autonomous active mode
- After a valid wake-up, the CAN transceiver switches to CAN autonomous active mode and the  $I_{\text{SUP(BIAS)}}$  current needs to be added to the specified  $I_{\text{SUP}}$  current in CAN autonomous inactive mode.

## 6.8 Electrical Characteristics

Over recommended operating conditions with  $T_J = -40^{\circ}\text{C}$  to  $150^{\circ}\text{C}$ , unless otherwise noted. All typical values are taken at  $25^{\circ}\text{C}$ ,  $V_{\text{SUP}} = 12\text{ V}$ ,  $V_{\text{IO}} = 3.3\text{ V}$ ,  $V_{\text{CC}} = 5\text{ V}$  and  $R_L = 60\ \Omega$

PARAMETER		TEST CONDITIONS		MIN	TYP	MAX	UNIT
<b>CAN Driver Characteristics</b>							
$V_{\text{O(D)}}$	Dominant output voltage Bus biasing active	CANH	TXD = 0 V, $50 \leq R_L \leq 65\ \Omega$ , $C_L = \text{open}$ , $R_{\text{CM}} = \text{open}$	2.75		4.5	V
		CANL	See <a href="#">Figure 7-1</a> and <a href="#">Figure 7-4</a>	0.5		2.25	V
$V_{\text{O(R)}}$	Recessive output voltage Bus biasing active		TXD = $V_{\text{IO}}$ , $R_L = \text{open}$ (no load), $R_{\text{CM}} = \text{open}$ See <a href="#">Figure 7-1</a> and <a href="#">Figure 7-4</a>	2		3	V
$V_{\text{SYM}}$	Driver symmetry Bus biasing active $(V_{\text{O(CANH)}} + V_{\text{O(CANL)}}) / V_{\text{CC}}$		nSTB = $V_{\text{IO}}$ , $R_L = 60\ \Omega$ , $C_{\text{SPLIT}} = 4.7\ \text{nF}$ , $C_L = \text{Open}$ , $R_{\text{CM}} = \text{Open}$ , TXD = 250 kHz, 1 MHz, 2.5 MHz See <a href="#">Figure 7-1</a> and <a href="#">Figure 7-4</a>	0.9		1.1	V/V
$V_{\text{SYM\_DC}}$	DC Driver symmetry Bus biasing active $V_{\text{CC}} - V_{\text{O(CANH)}} - V_{\text{O(CANL)}}$		nSTB = $V_{\text{IO}}$ , $R_L = 60\ \Omega$ , $C_L = \text{open}$ See <a href="#">Figure 7-1</a> and <a href="#">Figure 7-4</a>	-400		400	mV
$V_{\text{OD(DOM)}}$	Differential output voltage Bus biasing active Dominant	CANH - CANL	nSTB = $V_{\text{IO}}$ , TXD = 0 V, $50\ \Omega \leq R_L \leq 65\ \Omega$ , $C_L = \text{open}$ See <a href="#">Figure 7-1</a> and <a href="#">Figure 7-4</a>	1.5		3	V
		CANH - CANL	nSTB = $V_{\text{IO}}$ , TXD = 0 V, $45\ \Omega \leq R_L \leq 70\ \Omega$ , $C_L = \text{open}$ See <a href="#">Figure 7-1</a> and <a href="#">Figure 7-4</a>	1.4		3.3	V
		CANH - CANL	nSTB = $V_{\text{IO}}$ , TXD = 0 V, $R_L = 2240\ \Omega$ , $C_L = \text{open}$ See <a href="#">Figure 7-1</a> and <a href="#">Figure 7-4</a>	1.5		5	V
$V_{\text{OD(REC)}}$	Differential output voltage Bus biasing active Recessive	CANH - CANL	nSTB = $V_{\text{IO}}$ , TXD = $V_{\text{IO}}$ , $R_L = \text{open}\ \Omega$ , $C_L = \text{open}$ See <a href="#">Figure 7-1</a> and <a href="#">Figure 7-4</a>	-50		50	mV
$V_{\text{O(STB)}}$	Bus output voltage with bus biasing inactive	CANH	nSTB = 0 V, TXD = $V_{\text{IO}}$ , $R_L = \text{open}$ (no load), $C_L = \text{open}$ See <a href="#">Figure 7-1</a> and <a href="#">Figure 7-4</a>	-0.1		0.1	V
		CANL	nSTB = 0 V, TXD = $V_{\text{IO}}$ , $R_L = \text{open}$ (no load), $C_L = \text{open}$ See <a href="#">Figure 7-1</a> and <a href="#">Figure 7-4</a>	-0.1		0.1	V
		CANH - CANL	nSTB = 0 V, TXD = $V_{\text{IO}}$ , $R_L = \text{open}$ (no load), $C_L = \text{open}$ See <a href="#">Figure 7-1</a> and <a href="#">Figure 7-4</a>	-0.2		0.2	V
$I_{\text{OS(DOM)}}$	Short-circuit steady-state output current Bus biasing active Dominant		nSTB = $V_{\text{IO}}$ , TXD = 0 V $-15\text{ V} \leq V_{\text{(CANH)}} \leq 40\text{ V}$ See <a href="#">Figure 7-1</a> and <a href="#">Figure 7-8</a>	-100			mA
			nSTB = $V_{\text{IO}}$ , TXD = 0 V $-15\text{ V} \leq V_{\text{(CANL)}} \leq 40\text{ V}$ See <a href="#">Figure 7-1</a> and <a href="#">Figure 7-8</a>			100	mA
$I_{\text{OS(REC)}}$	Short-circuit steady-state output current Bus biasing active Recessive		nSTB = $V_{\text{IO}}$ , $V_{\text{BUS}} = \text{CANH} = \text{CANL}$ $-27\text{ V} \leq V_{\text{BUS}} \leq 42\text{ V}$ See <a href="#">Figure 7-1</a> and <a href="#">Figure 7-8</a>	-3		3	mA
<b>CAN Receiver Characteristics</b>							
$V_{\text{IT(DOM)}}$	Receiver dominant state input voltage range Bus biasing active		nSTB = $V_{\text{IO}}$ , $-12\text{ V} \leq V_{\text{CM}} \leq 12\text{ V}$ See <a href="#">Figure 7-5</a> and <a href="#">Table 8-6</a>	0.9		8	V
$V_{\text{IT(REC)}}$	Receiver recessive state input voltage range Bus biasing active			-3		0.5	V
$V_{\text{HYS}}$	Hysteresis voltage for input threshold Bus biasing active		nSTB = $V_{\text{IO}}$ See <a href="#">Figure 7-5</a> and <a href="#">Table 8-6</a>		140		mV
$V_{\text{DIFF(DOM)}}$	Receiver dominant state input voltage range Bus biasing inactive		nSTB = 0 V, $-12\text{ V} \leq V_{\text{CM}} \leq 12\text{ V}$ See <a href="#">Figure 7-5</a> and <a href="#">Table 8-6</a>	1.150		8	V
$V_{\text{DIFF(REC)}}$	Receiver recessive state input voltage range Bus biasing inactive			-3		0.4	V
$V_{\text{CM}}$	Common mode range		nSTB = $V_{\text{IO}}$ See <a href="#">Figure 7-5</a> and <a href="#">Table 8-6</a>	-12		12	V



## 6.8 Electrical Characteristics (continued)

Over recommended operating conditions with  $T_J = -40^\circ\text{C}$  to  $150^\circ\text{C}$ , unless otherwise noted. All typical values are taken at  $25^\circ\text{C}$ ,  $V_{\text{SUP}} = 12\text{ V}$ ,  $V_{\text{IO}} = 3.3\text{ V}$ ,  $V_{\text{CC}} = 5\text{ V}$  and  $R_L = 60\ \Omega$

PARAMETER		TEST CONDITIONS	MIN	TYP	MAX	UNIT
$I_{\text{OFF(LKG)}}$	Power-off (unpowered) input leakage current CANH, CANL pins	$V_{\text{SUP}} = 0\text{ V}$ , CANH = CANL = 5 V			2.5	$\mu\text{A}$
$C_1$	Input capacitance to ground (CANH or CANL) (1)				20	pF
$C_{\text{ID}}$	Differential input capacitance (1)				10	pF
$R_{\text{ID}}$	Differential input resistance	$\text{TXD} = V_{\text{CC}} = V_{\text{IO}} = 5\text{ V}$ , nSTB = 5 V $-12\text{ V} \leq V_{\text{CM}} \leq 12\text{ V}$	50		100	k $\Omega$
$R_{\text{IN}}$	Input resistance (CANH or CANL)		25		50	k $\Omega$
$R_{\text{IN(M)}}$	Input resistance matching: $[1 - R_{\text{IN(CANH)}} / R_{\text{IN(CANL)}}] \times 100\%$	$V_{\text{(CANH)}} = V_{\text{(CANL)}} = 5\text{ V}$	-1		1	%
$R_{\text{CBF}}$	Valid differential load impedance range for bus fault circuitry	$R_{\text{CM}} = R_L$ , $C_L = \text{open}$	45		70	$\Omega$
<b>TXD Characteristics</b>						
$V_{\text{IH}}$	High-level input voltage		0.7			$V_{\text{IO}}$
$V_{\text{IL}}$	Low-level input voltage				0.3	$V_{\text{IO}}$
$I_{\text{IH}}$	High-level input leakage current	$\text{TXD} = V_{\text{IO}} = 5.5\text{ V}$	-2.5	0	1	$\mu\text{A}$
$I_{\text{IL}}$	Low-level input leakage current	$\text{TXD} = 0\text{ V}$ , $V_{\text{IO}} = 5.5\text{ V}$	-115		-2.5	$\mu\text{A}$
$I_{\text{LKG(OFF)}}$	Unpowered leakage current	$\text{TXD} = 5.5\text{ V}$ , $V_{\text{SUP}} = V_{\text{IO}} = 0\text{ V}$	-1	0	1	$\mu\text{A}$
$R_{\text{PU}}$	Pull-up resistance to $V_{\text{IO}}$		40	60	80	k $\Omega$
$C_1$	Input Capacitance	$V_{\text{IN}} = 0.4 \times \sin(2 \times \pi \times 2 \times 10^6 \times t) + 2.5\text{ V}$		5		pF
<b>RXD Characteristics</b>						
$V_{\text{OH}}$	High-level output voltage	$I_O = -2\text{ mA}$ See Figure 7-5	0.8			$V_{\text{IO}}$
$V_{\text{OL}}$	Low-level output voltage	$I_O = 2\text{ mA}$ See Figure 7-5			0.2	$V_{\text{IO}}$
$I_{\text{LKG(OFF)}}$	Unpowered leakage current	$\text{RXD} = 5.5\text{ V}$ , $V_{\text{SUP}} = V_{\text{IO}} = 0\text{ V}$	-1		1	$\mu\text{A}$
<b>nSTB Characteristics</b>						
$V_{\text{IH}}$	High-level input voltage		0.7			$V_{\text{IO}}$
$V_{\text{IL}}$	Low-level input voltage				0.3	$V_{\text{IO}}$
$I_{\text{IH}}$	High-level input leakage current	nSTB = $V_{\text{IO}} = 5.5\text{ V}$	0.5		115	$\mu\text{A}$
$I_{\text{IL}}$	Low-level input leakage current	nSTB = 0 V, $V_{\text{IO}} = 5.5\text{ V}$	-1		1	$\mu\text{A}$
$I_{\text{LKG(OFF)}}$	Unpowered leakage current	nSTB = 5.5 V, $V_{\text{IO}} = 0\text{ V}$	-1	0	1	$\mu\text{A}$
$R_{\text{PD}}$	Pull-down resistance		40	60	80	k $\Omega$
<b>nFAULT Characteristics</b>						
$V_{\text{OH}}$	High-level output voltage	$I_O = -2\text{ mA}$	0.8			$V_{\text{IO}}$
$V_{\text{OL}}$	Low-level output voltage	$I_O = 2\text{ mA}$			0.2	$V_{\text{IO}}$
$I_{\text{LKG(OFF)}}$	Unpowered leakage current	nFAULT = 5.5 V, $V_{\text{IO}} = 0\text{ V}$	-1	0	1	$\mu\text{A}$
<b>EN Characteristics</b>						
$V_{\text{IH}}$	High-level input voltage		0.7			$V_{\text{IO}}$
$V_{\text{IL}}$	Low-level input voltage				0.3	$V_{\text{IO}}$
$I_{\text{IH}}$	High-level input leakage current	EN = $V_{\text{CC}} = V_{\text{IO}} = 5.5\text{ V}$	0.5		115	$\mu\text{A}$
$I_{\text{IL}}$	Low-level input leakage current	EN = 0 V, $V_{\text{CC}} = V_{\text{IO}} = 5.5\text{ V}$	-1		1	$\mu\text{A}$
$I_{\text{LKG(OFF)}}$	Unpowered leakage current	EN = 5.5 V, $V_{\text{CC}} = V_{\text{IO}} = 0\text{ V}$	-1		1	$\mu\text{A}$
$R_{\text{PD}}$	Pull-down resistance		40	60	80	k $\Omega$
<b>WAKE Characteristics</b>						
$V_{\text{IH}}$	High-level input voltage	Sleep mode	$V_{\text{SUP}} - 2$			V
$V_{\text{IL}}$	Low-level input voltage			$V_{\text{SUP}} - 3.5$		V
$I_{\text{IH}}$	High-level input leakage current (2)	WAKE = $V_{\text{SUP}} - 1\text{ V}$	-3			$\mu\text{A}$
$I_{\text{IL}}$	Low-level input leakage current (2)	WAKE = 1 V			3	$\mu\text{A}$

## 6.8 Electrical Characteristics (continued)

Over recommended operating conditions with  $T_J = -40^{\circ}\text{C}$  to  $150^{\circ}\text{C}$ , unless otherwise noted. All typical values are taken at  $25^{\circ}\text{C}$ ,  $V_{\text{SUP}} = 12\text{ V}$ ,  $V_{\text{IO}} = 3.3\text{ V}$ ,  $V_{\text{CC}} = 5\text{ V}$  and  $R_L = 60\ \Omega$

PARAMETER		TEST CONDITIONS	MIN	TYP	MAX	UNIT
<b>INH Characteristics</b>						
$\Delta V_H$	High-level voltage drop from $V_{\text{SUP}}$ to INH ( $V_{\text{SUP}} - V_{\text{INH}}$ )	$I_{\text{INH}} = -6\text{ mA}$		0.5	1	V
$I_{\text{LKG(INH)}}$	Sleep mode leakage current	INH = 0 V	-0.5		0.5	$\mu\text{A}$
$R_{\text{PD}}$	Pull-down resistance	Sleep mode	2.5	4	6	$\text{M}\Omega$

- (1) Specified by design and verified via bench characterization
- (2) To minimize system level current consumption, the WAKE pin will automatically configure itself based on the applied voltage to either an internal pull-up or pull-down current source. A high-level input results in an internal pull-up and a low-level input results in an internal pull-down.

## 6.9 Timing Requirements

over operating free-air temperature range (unless otherwise noted)

PARAMETER		TEST CONDITIONS	MIN	TYP	MAX	UNIT
<b>Supply Characteristics</b>						
$t_{\text{PWRUP}}$	Time required for INH active after $V_{\text{SUP}} \geq UV_{\text{SUP(R)}}$	See Figure 7-10		310		$\mu\text{s}$
$t_{\text{UV}}$	Undervoltage filter time $V_{\text{CC}}$ and $V_{\text{IO}}$ (1)	$V_{\text{CC}} \leq UV_{\text{CC}}$ or $V_{\text{IO}} \leq UV_{\text{IO}}$	100		350	ms
$t_{\text{UV(RE-ENABLE)}}$	Re-enable time after undervoltage event (1)	Time for device to return to normal operation from a $UV_{\text{CC}}$ or $UV_{\text{IO}}$ undervoltage event			200	$\mu\text{s}$
<b>Device Characteristics</b>						
$t_{\text{PROP(LOOP1)}}$	Total loop delay, driver input (TXD) to receiver output (RXD) Recessive to dominant	TCAN1043A-Q1 Only $R_L = 60\ \Omega$ , $C_L = 100\ \text{pF}$ , $C_{L(\text{RXD})} = 15\ \text{pF}$ See Figure 7-6		140	215	ns
$t_{\text{PROP(LOOP2)}}$	Total loop delay, driver input (TXD) to receiver output (RXD) Dominant to recessive			140	205	ns
$t_{\text{PROP(LOOP1)}}$	Total loop delay, driver input (TXD) to receiver output (RXD) Recessive to dominant	TCAN1043AT-Q1 Only $R_L = 60\ \Omega$ , $C_L = 100\ \text{pF}$ , $C_{L(\text{RXD})} = 15\ \text{pF}$ See Figure 7-6		170	255	ns
$t_{\text{PROP(LOOP2)}}$	Total loop delay, driver input (TXD) to receiver output (RXD) Dominant to recessive			170	255	ns
$t_{\text{WK(TIMEOUT)}}$	Bus wake-up timeout value (1)		0.8		2	ms
$t_{\text{WK(FILTER)}}$	Bus time to meet filtered bus requirements for wake-up request (1)		0.5		1.8	$\mu\text{s}$
$t_{\text{SILENCE}}$	Timeout for bus inactivity (1)	Timer is reset and restarted, when bus changes from dominant to recessive or vice versa	0.6		1.2	s
$t_{\text{INACTIVE}}$	Standby mode SWE timer timeout period (1)		3	4	5	min
$t_{\text{BIAS}}$	Bus bias reaction time (1) Measured from the start of a dominant-recessive-dominant sequence (each phase 6 $\mu\text{s}$ ) until $V_{\text{SYM}} \geq 0.1$	$n\text{STB} = \text{EN} = 0\text{ V}$ , $R_L = 60\ \Omega$ , $C_{\text{SPLIT}} = 4.7\ \text{nF}$ See Figure 7-9 and Figure 9-2			200	$\mu\text{s}$
$t_{\text{CBF}}$	Bus fault-detection time	$45 \leq R_{\text{CM}} \leq 70\ \Omega$ $C_L = \text{open}$	2.5			$\mu\text{s}$
$t_{\text{WAKE\_HT}}$	Hold time for which WAKE pin voltage should be stable after the rising or falling edge on WAKE pin to recognize LWU.		5		50	$\mu\text{s}$
<b>Mode Change Characteristics</b>						
$t_{\text{INH\_SLP\_STB}}$	Time after WUP or LWU event until INH asserted (1)			100		$\mu\text{s}$
$t_{\text{MODE1}}$	Mode change time from leaving the Sleep mode to entering Normal or Silent mode (1)	Time measured from VCC and VIO crossing UV thresholds to entering normal or silent mode.		20		$\mu\text{s}$
$t_{\text{MODE2}}$	Mode change time between normal, silent and standby mode and from sleep to standby mode (1)	Mode change time between normal, silent and standby mode and from sleep to standby mode		10		$\mu\text{s}$

## 6.9 Timing Requirements (continued)

over operating free-air temperature range (unless otherwise noted)

PARAMETER		TEST CONDITIONS	MIN	TYP	MAX	UNIT
t <sub>GOTOSLEEP</sub>	Minimum hold time for transition to sleep mode <sup>(1)</sup>	EN = H and nSTB = L	20		50	μs

(1) Specified by design and verified via bench characterization

## 6.10 Switching Characteristics

Over recommended operating conditions with  $T_J = -40^{\circ}\text{C}$  to  $150^{\circ}\text{C}$ , unless otherwise noted. All typical values are taken at  $25^{\circ}\text{C}$ ,  $V_{\text{SUP}} = 12\text{ V}$ ,  $V_{\text{IO}} = 3.3\text{ V}$ ,  $V_{\text{CC}} = 5\text{ V}$  and  $R_L = 60\ \Omega$

PARAMETER		TEST CONDITIONS	MIN	TYP	MAX	UNIT
<b>Driver Characteristics</b>						
$t_{\text{pHR}}$	Propagation delay time, high TXD to driver recessive	TCAN1043AT-Q1 Only $R_L = 60\ \Omega$ , $C_L = 100\ \text{pF}$ , $R_{\text{CM}} = \text{open}$ See Figure 7-4	30	80	140	ns
$t_{\text{pLD}}$	Propagation delay time, low TXD to driver dominant		30	80	140	ns
$t_{\text{sk(p)}}$	Pulse skew ( $ t_{\text{pHR}} - t_{\text{pLD}} $ )		8			ns
$t_{\text{R}}$	Differential output signal rise time		50			ns
$t_{\text{F}}$	Differential output signal fall time		50			ns
$t_{\text{pHR}}$	Propagation delay time, high TXD to driver recessive	TCAN1043A-Q1 variant only $R_L = 60\ \Omega$ , $C_L = 100\ \text{pF}$ , $R_{\text{CM}} = \text{open}$ See Figure 7-4	30	50	90	ns
$t_{\text{pLD}}$	Propagation delay time, low TXD to driver dominant		30	50	90	ns
$t_{\text{sk(p)}}$	Pulse skew ( $ t_{\text{pHR}} - t_{\text{pLD}} $ )		8			ns
$t_{\text{R}}$	Differential output signal rise time		50			ns
$t_{\text{F}}$	Differential output signal fall time		50			ns
$t_{\text{TXDDTO}}$	Dominant timeout	TXD = 0 V, $R_L = 60\ \Omega$ , $C_L = \text{open}$ See Figure 7-7	1.2		3.8	ms
<b>Receiver Characteristics</b>						
$t_{\text{pRH}}$	Propagation delay time, bus recessive input to high RXD	$C_{\text{L(RXD)}} = 15\ \text{pF}$ See Figure 7-5	25	75	140	ns
$t_{\text{pDL}}$	Propagation delay time, bus dominant input to RXD low output		20	75	130	ns
$t_{\text{R}}$	Output signal rise time (RXD)		4			ns
$t_{\text{F}}$	Output signal fall time (RXD)		4			ns
$t_{\text{BUSDOM}}$	Dominant time out	$R_L = 60\ \Omega$ , $C_L = \text{open}$ See Figure 7-5	1.4		3.8	ms
<b>CAN FD Characteristics</b>						
$t_{\text{BIT(BUS)}}^{(1)}$	Bit time on CAN bus output pins with $t_{\text{BIT(TXD)}} = 500\ \text{ns}$	TCAN1043A-Q1 Only $R_L = 60\ \Omega$ , $C_{\text{L1}} = \text{open}$ , $C_{\text{L2}} = 100\ \text{pF}$ , $C_{\text{L(RXD)}} = 15\ \text{pF}$ $\Delta t_{\text{REC}} = t_{\text{BIT(RXD)}} - t_{\text{BIT(BUS)}}$ See Figure 7-6	450		525	ns
	Bit time on CAN bus output pins with $t_{\text{BIT(TXD)}} = 200\ \text{ns}$		160		210	ns
	Bit time on CAN bus output pins with $t_{\text{BIT(TXD)}} = 125\ \text{ns}^{(2)}$		80		135	ns
$t_{\text{BIT(BUS)}}^{(1)}$	Bit time on CAN bus output pins with $t_{\text{BIT(TXD)}} = 500\ \text{ns}$	TCAN1043AT-Q1 Only $R_L = 60\ \Omega$ , $C_{\text{L1}} = \text{open}$ , $C_{\text{L2}} = 100\ \text{pF}$ , $C_{\text{L(RXD)}} = 15\ \text{pF}$ $\Delta t_{\text{REC}} = t_{\text{BIT(RXD)}} - t_{\text{BIT(BUS)}}$ See Figure 7-6	450		530	ns
	Bit time on CAN bus output pins with $t_{\text{BIT(TXD)}} = 200\ \text{ns}$		155		210	ns

## 6.10 Switching Characteristics (continued)

Over recommended operating conditions with  $T_J = -40^\circ\text{C}$  to  $150^\circ\text{C}$ , unless otherwise noted. All typical values are taken at  $25^\circ\text{C}$ ,  $V_{\text{SUP}} = 12\text{ V}$ ,  $V_{\text{IO}} = 3.3\text{ V}$ ,  $V_{\text{CC}} = 5\text{ V}$  and  $R_L = 60\ \Omega$

PARAMETER		TEST CONDITIONS	MIN	TYP	MAX	UNIT
$t_{\text{BIT(RXD)}}^{(1)}$	Bit time on RXD output pins with $t_{\text{BIT(TXD)}} = 500\text{ ns}$	$R_L = 60\ \Omega$ , $C_{L1} = \text{open}$ , $C_{L2} = 100\text{ pF}$ , $C_{L(\text{RXD})} = 15\text{ pF}$ $\Delta t_{\text{REC}} = t_{\text{BIT(RXD)}} - t_{\text{BIT(BUS)}}$ See <a href="#">Figure 7-6</a>	410		540	ns
	Bit time on RXD output pins with $t_{\text{BIT(TXD)}} = 200\text{ ns}$	$R_L = 60\ \Omega$ , $C_{L1} = \text{open}$ , $C_{L2} = 100\text{ pF}$ , $C_{L(\text{RXD})} = 15\text{ pF}$ $\Delta t_{\text{REC}} = t_{\text{BIT(RXD)}} - t_{\text{BIT(BUS)}}$ See <a href="#">Figure 7-6</a>	130		210	ns
	Bit time on RXD output pins with $t_{\text{BIT(TXD)}} = 125\text{ ns}^{(2)}$	$R_L = 60\ \Omega$ , $C_{L1} = \text{open}$ , $C_{L2} = 100\text{ pF}$ , $C_{L(\text{RXD})} = 15\text{ pF}$ $\Delta t_{\text{REC}} = t_{\text{BIT(RXD)}} - t_{\text{BIT(BUS)}}$ See <a href="#">Figure 7-6</a>	60		135	ns
$t_{\text{BIT(RXD)}}^{(1)}$	Bit time on RXD output pins with $t_{\text{BIT(TXD)}} = 500\text{ ns}$	$R_L = 60\ \Omega$ , $C_{L1} = \text{open}$ , $C_{L2} = 100\text{ pF}$ , $C_{L(\text{RXD})} = 15\text{ pF}$ $\Delta t_{\text{REC}} = t_{\text{BIT(RXD)}} - t_{\text{BIT(BUS)}}$ See <a href="#">Figure 7-6</a>	410		540	ns
	Bit time on RXD output pins with $t_{\text{BIT(TXD)}} = 200\text{ ns}$	$R_L = 60\ \Omega$ , $C_{L1} = \text{open}$ , $C_{L2} = 100\text{ pF}$ , $C_{L(\text{RXD})} = 15\text{ pF}$ $\Delta t_{\text{REC}} = t_{\text{BIT(RXD)}} - t_{\text{BIT(BUS)}}$ See <a href="#">Figure 7-6</a>	120		220	ns
$\Delta t_{\text{REC}}^{(1)}$	Receiver timing symmetry with $t_{\text{BIT(TXD)}} = 500\text{ ns}$	$R_L = 60\ \Omega$ , $C_{L1} = \text{open}$ , $C_{L2} = 100\text{ pF}$ , $C_{L(\text{RXD})} = 15\text{ pF}$ $\Delta t_{\text{REC}} = t_{\text{BIT(RXD)}} - t_{\text{BIT(BUS)}}$ See <a href="#">Figure 7-6</a>	-50		20	ns
	Receiver timing symmetry with $t_{\text{BIT(TXD)}} = 200\text{ ns}$	$R_L = 60\ \Omega$ , $C_{L1} = \text{open}$ , $C_{L2} = 100\text{ pF}$ , $C_{L(\text{RXD})} = 15\text{ pF}$ $\Delta t_{\text{REC}} = t_{\text{BIT(RXD)}} - t_{\text{BIT(BUS)}}$ See <a href="#">Figure 7-6</a>	-45		10	ns
	Receiver timing symmetry with $t_{\text{BIT(TXD)}} = 125\text{ ns}^{(2)}$	$R_L = 60\ \Omega$ , $C_{L1} = \text{open}$ , $C_{L2} = 100\text{ pF}$ , $C_{L(\text{RXD})} = 15\text{ pF}$ $\Delta t_{\text{REC}} = t_{\text{BIT(RXD)}} - t_{\text{BIT(BUS)}}$ See <a href="#">Figure 7-6</a>	-25		10	ns
$\Delta t_{\text{REC}}^{(1)}$	Receiver timing symmetry with $t_{\text{BIT(TXD)}} = 500\text{ ns}$	$R_L = 60\ \Omega$ , $C_{L1} = \text{open}$ , $C_{L2} = 100\text{ pF}$ , $C_{L(\text{RXD})} = 15\text{ pF}$ $\Delta t_{\text{REC}} = t_{\text{BIT(RXD)}} - t_{\text{BIT(BUS)}}$ See <a href="#">Figure 7-6</a>	-50		20	ns
	Receiver timing symmetry with $t_{\text{BIT(TXD)}} = 200\text{ ns}$	$R_L = 60\ \Omega$ , $C_{L1} = \text{open}$ , $C_{L2} = 100\text{ pF}$ , $C_{L(\text{RXD})} = 15\text{ pF}$ $\Delta t_{\text{REC}} = t_{\text{BIT(RXD)}} - t_{\text{BIT(BUS)}}$ See <a href="#">Figure 7-6</a>	-45		15	ns

(1) The input signal on TXD shall have rise times and fall times (10% to 90%) of less than 10 ns

(2) Specified by design and verified via bench characterization

### 6.11 Typical Characteristics

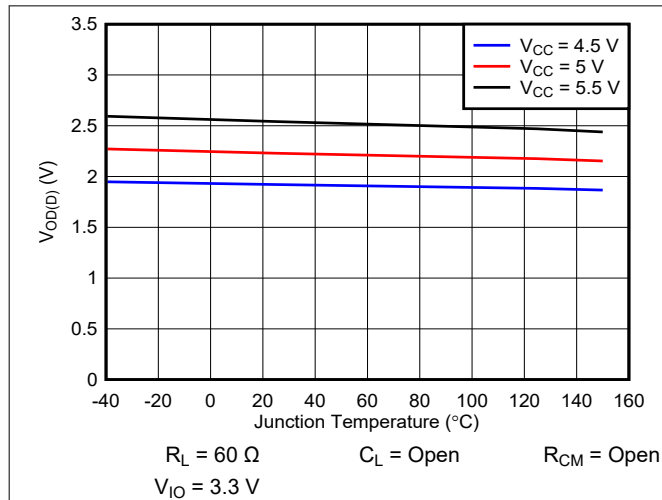


Figure 6-1.  $V_{OD(DOM)}$  vs Temperature and  $V_{CC}$

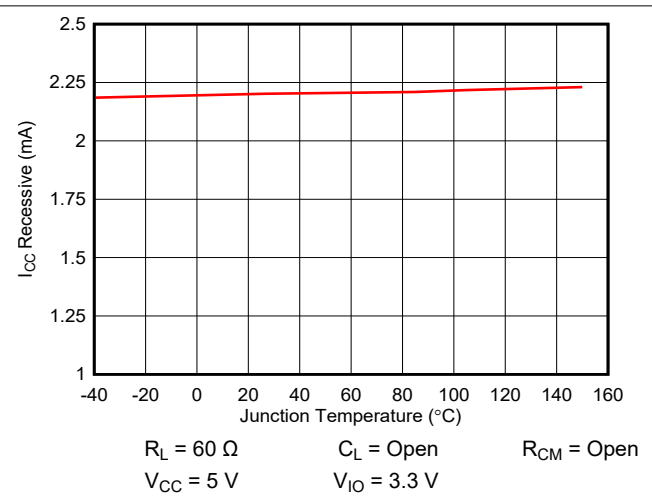


Figure 6-2.  $I_{CC}$  Recessive vs Temperature

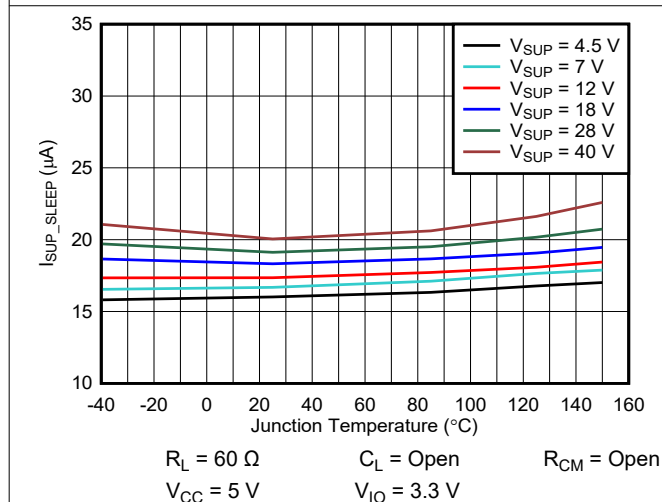


Figure 6-3.  $I_{SUP}$  in Sleep Mode vs  $V_{SUP}$  and Temperature

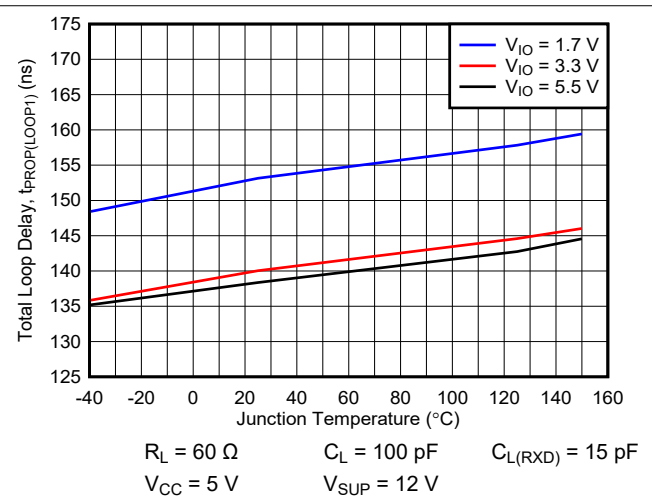
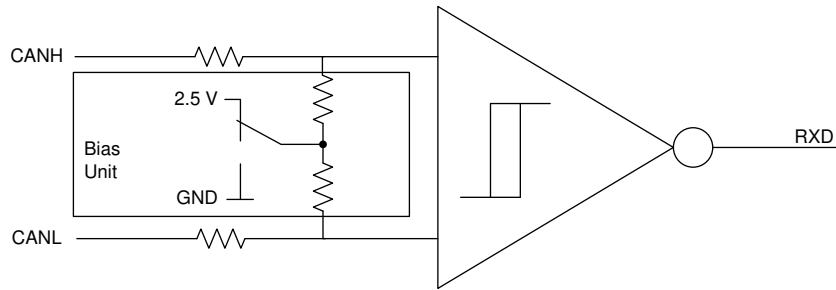
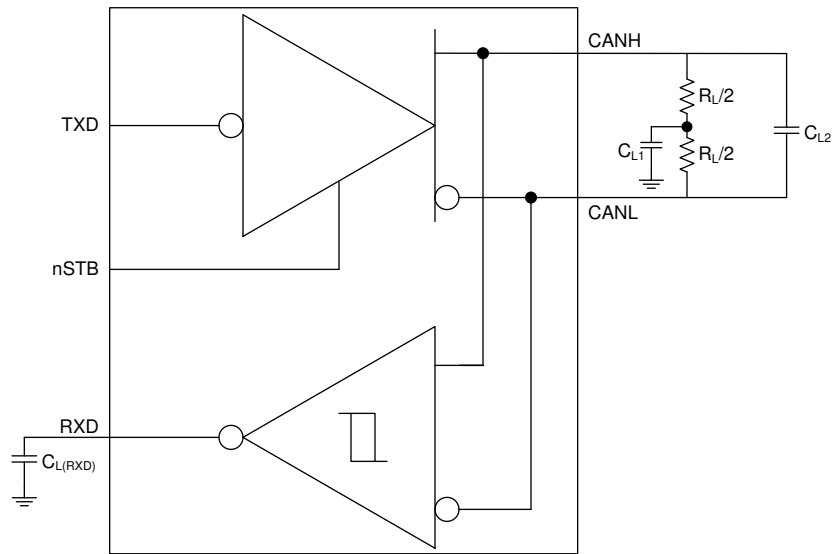


Figure 6-4. Loop Propagation Delay vs  $V_{IO}$  and Temperature

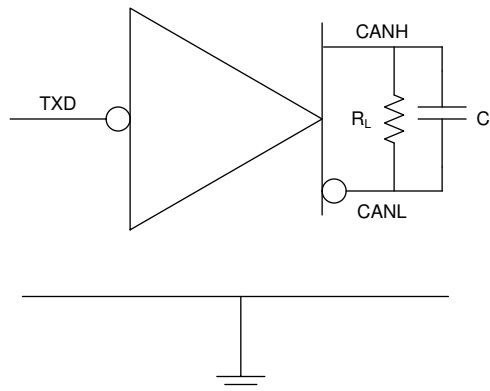
## 7 Parameter Measurement Information



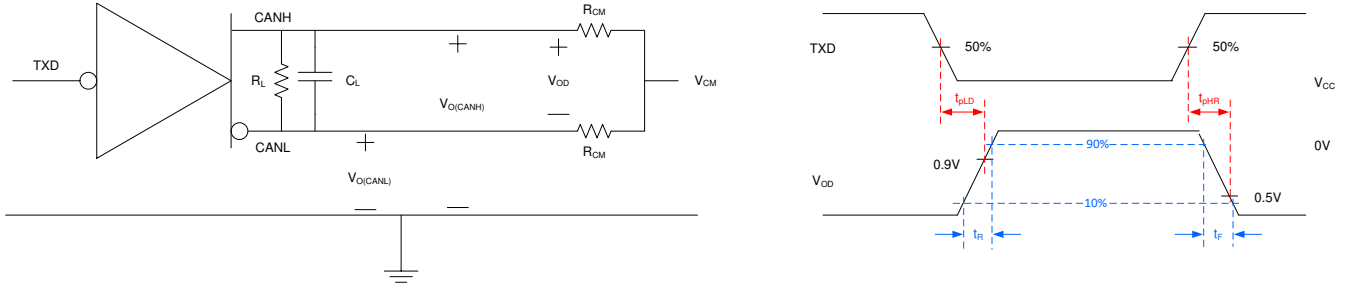
**Figure 7-1. Common-Mode Bias Unit and Receiver**



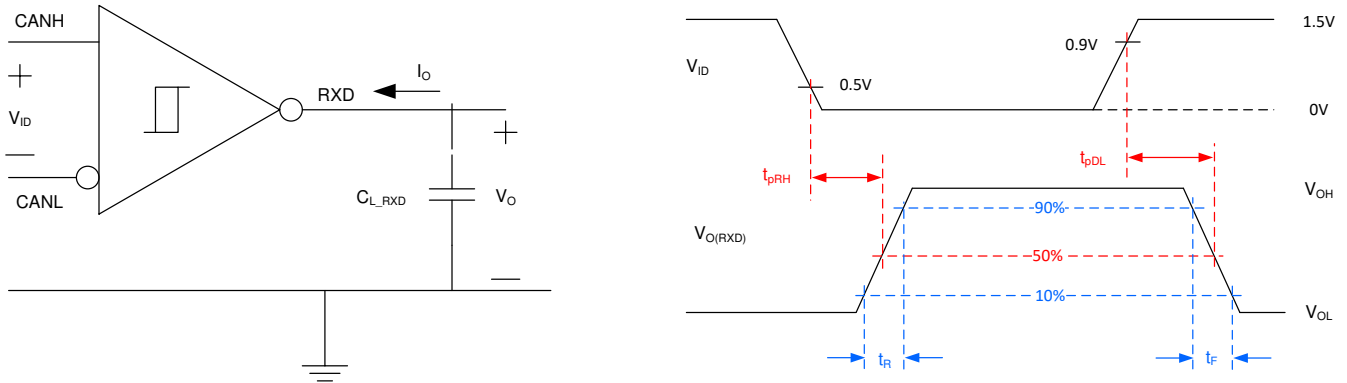
**Figure 7-2. Test Circuit**



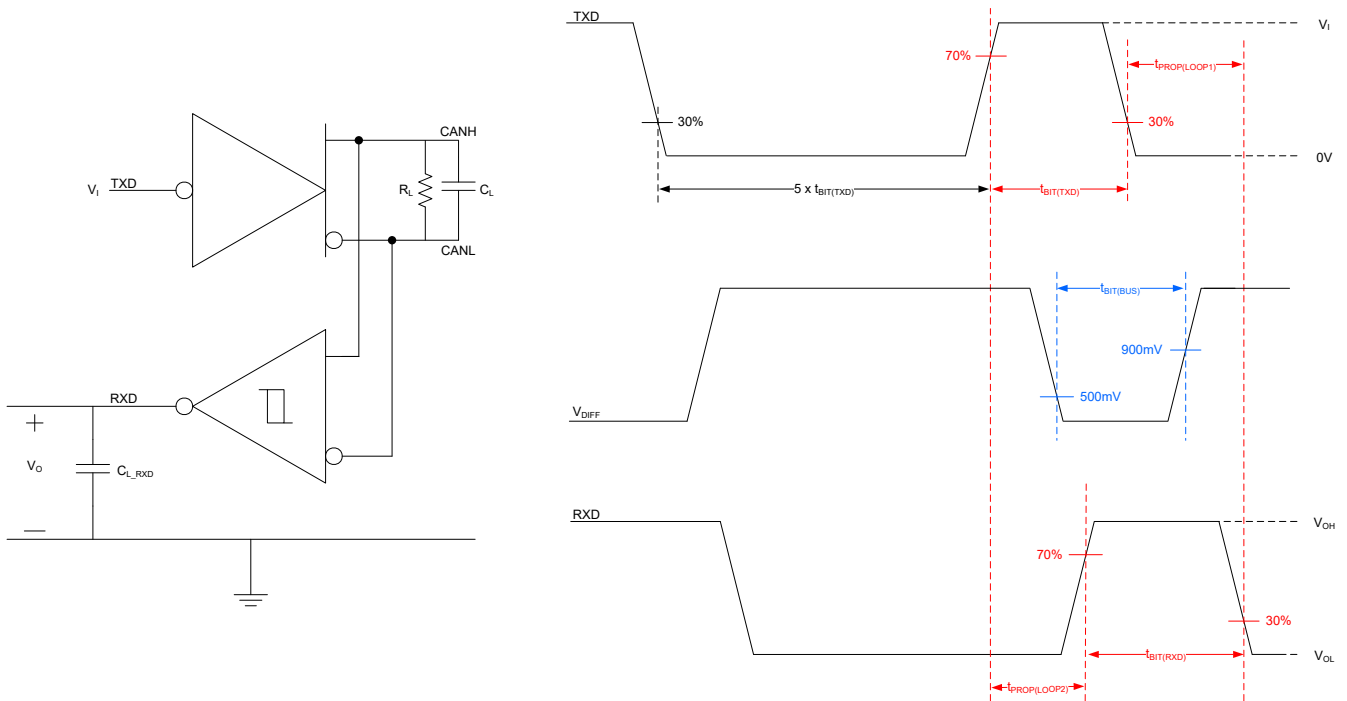
**Figure 7-3. Supply Test Circuit**



**Figure 7-4. Driver Test Circuit and Measurement**



**Figure 7-5. Receiver Test Circuit and Measurement**



**Figure 7-6. Transmitter and Receiver Timing Behavior Test Circuit and Measurement**



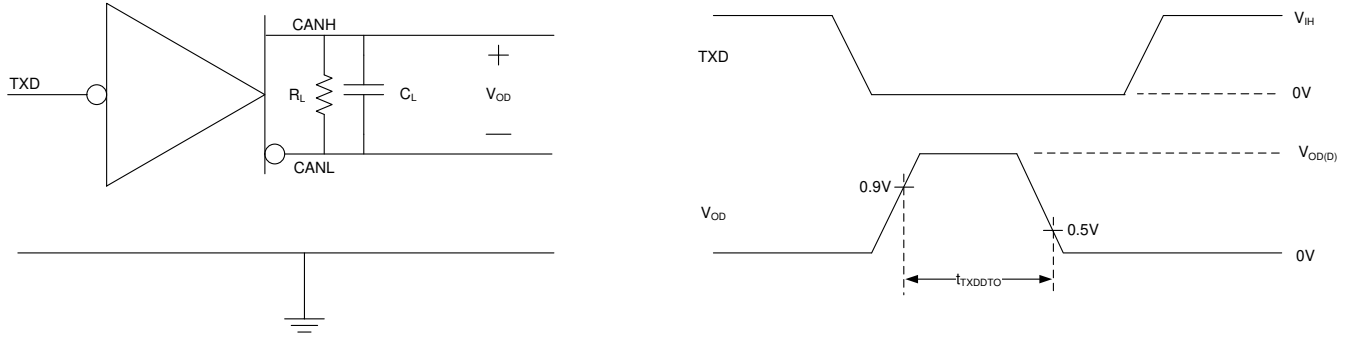


Figure 7-7. TXD Dominant Time Out Test Circuit and Measurement

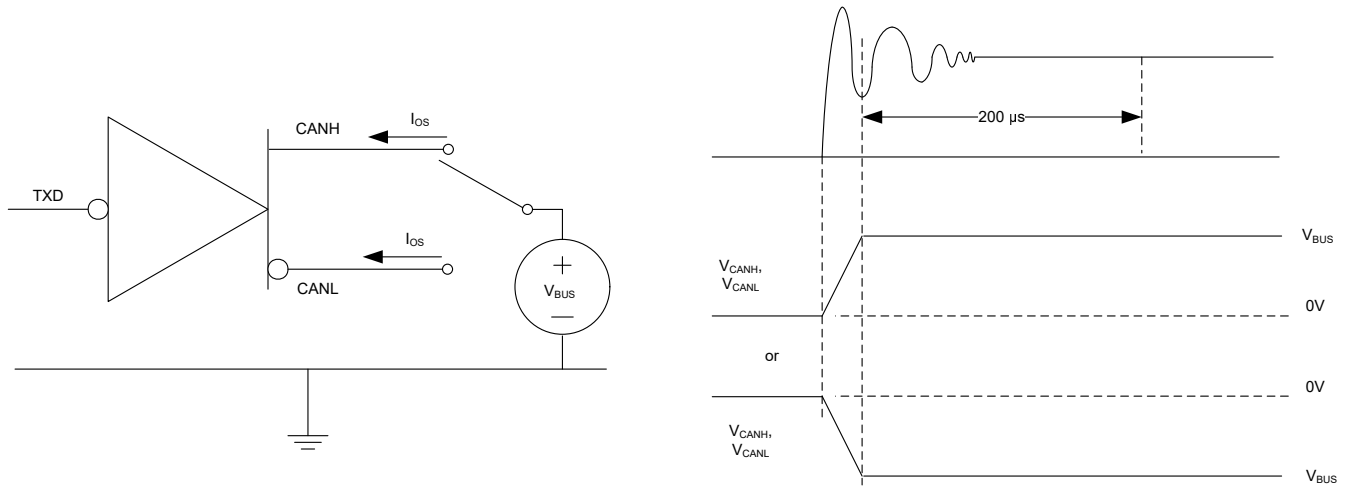


Figure 7-8. Driver Short-Circuit Current Test and Measurement

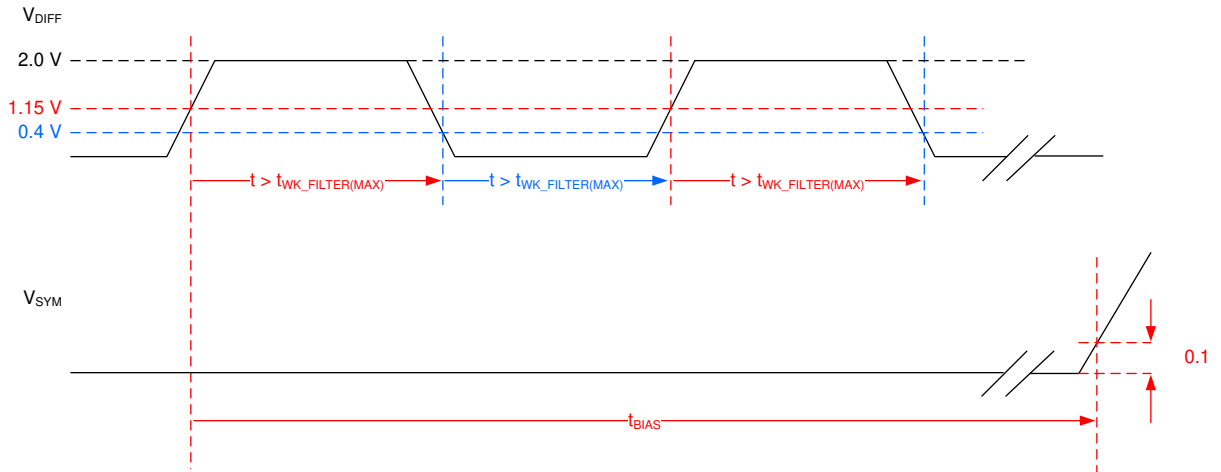


Figure 7-9. Bias Reaction Time Measurement

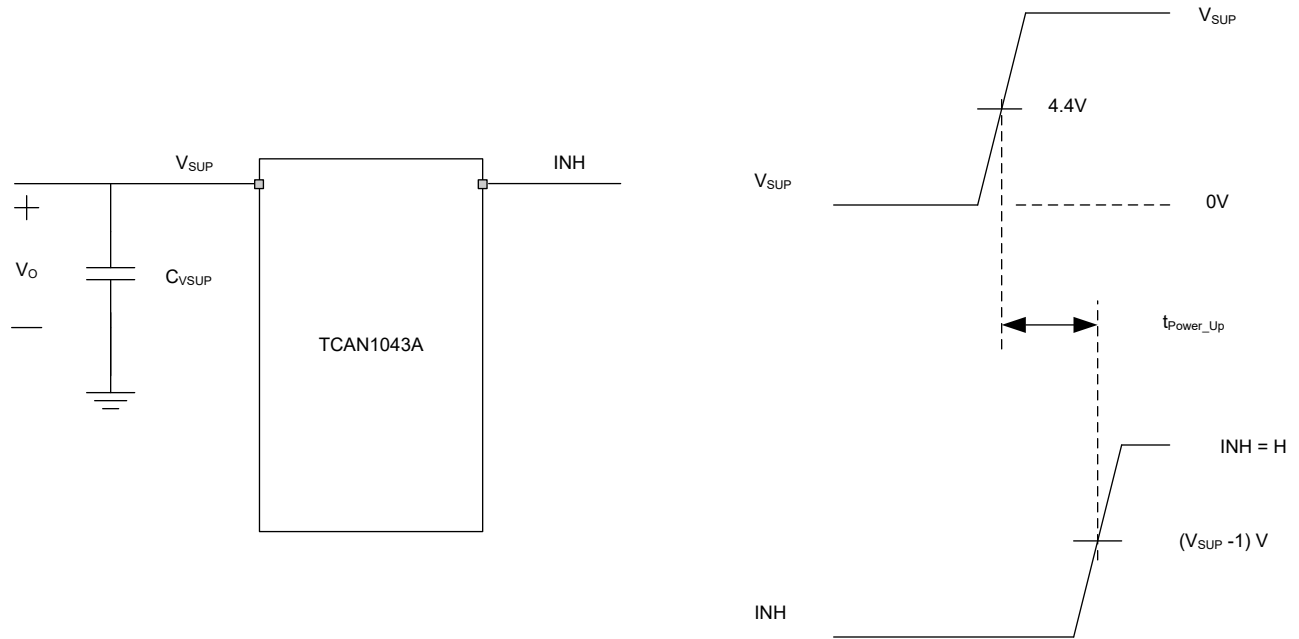


Figure 7-10. Power-Up Timing

## 8 Detailed Description

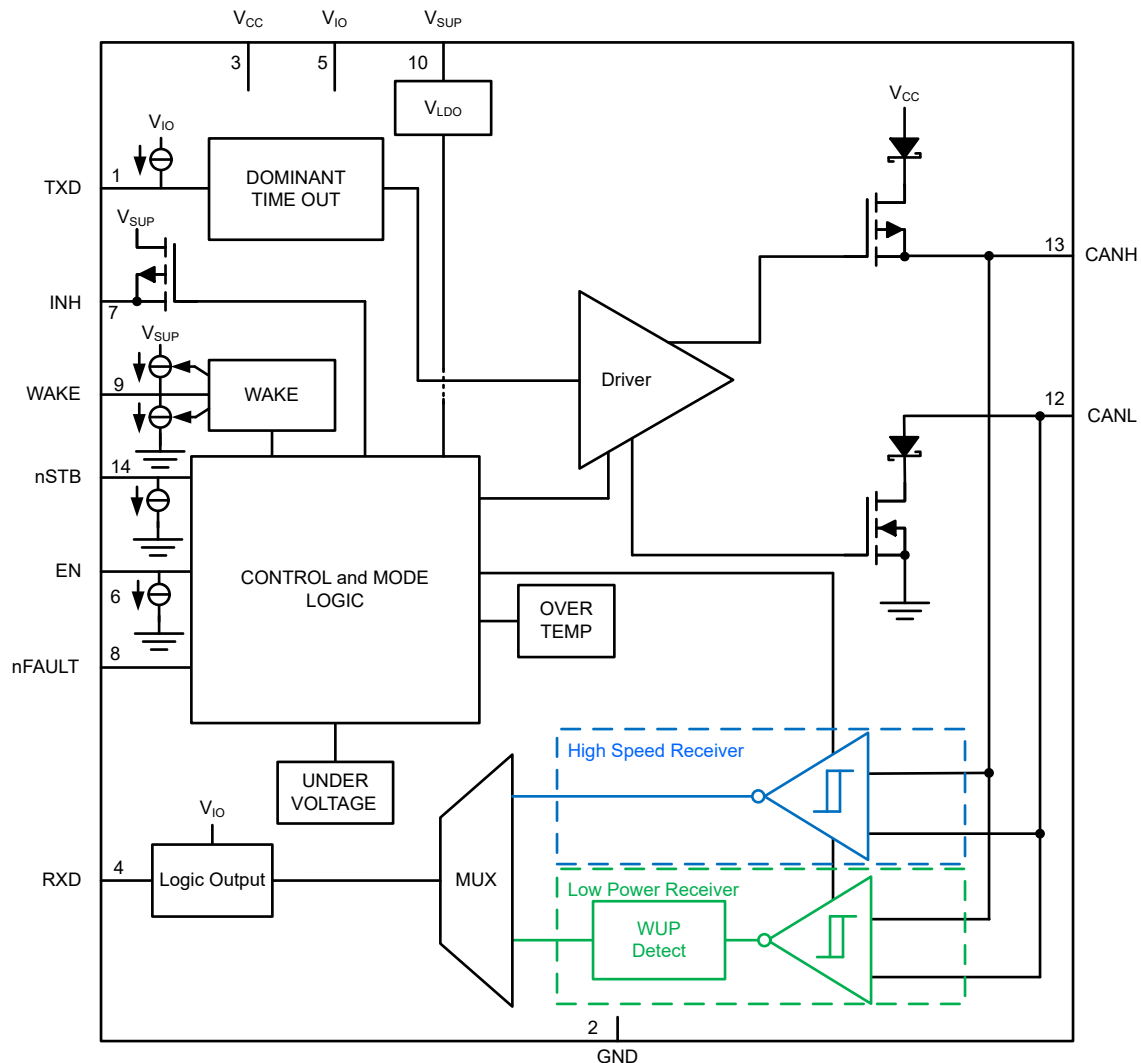
### 8.1 Overview

The TCAN1043A-Q1 is a high-speed Controller Area Network (CAN) transceiver that meets the physical layer requirements of the ISO 11898-2:2016 high-speed CAN specification. The TCAN1043A-Q1 supports both classical CAN and CAN FD networks up to 8 megabits per second (Mbps).

The transceiver has three separate supply inputs,  $V_{SUP}$ ,  $V_{CC}$ , and  $V_{IO}$ . By using  $V_{IO}$ , the TCAN1043A-Q1 can interface directly to a 1.8 V, 2.5 V, 3.3 V, or 5 V controller without the need for a level shifter. The TCAN1043A-Q1 allows for system-level reductions in battery current consumption by selectively enabling the various power supplies that may be present in the system via the INH output pin. This enables a low-current sleep state in which power is gated to all system components except for the TCAN1043A-Q1, which remains in a low-power state while monitoring the CAN bus. When a wake-up pattern is detected on the bus or when a local wake up is requested via the WAKE input, the device initiates node start-up by driving INH high.

The TCAN1043A-Q1 includes many protection and diagnostic features including undervoltage detection, CAN bus fault detection, SWE timer, battery connection detection, thermal shutdown (TSD), driver dominant timeout (TXD DTO), and bus fault protection up to  $\pm 58$  V.

### 8.2 Functional Block Diagram



**Figure 8-1. TCAN1043A-Q1 Functional Block Diagram**

## 8.3 Feature Description

### 8.3.1 Supply Pins

The TCAN1043A-Q1 implements three independent supply inputs for regulating different portions of the device.

#### 8.3.1.1 $V_{SUP}$ Pin

This pin is connected to the battery supply. It provides the supply to the internal regulators that support the digital core and the low power CAN receiver.

#### 8.3.1.2 $V_{CC}$ Pin

This pin provides the 5 V supply voltage for the CAN transceiver.

#### 8.3.1.3 $V_{IO}$ Pin

This pin provides the digital I/O voltage to match the CAN FD controller's I/O voltage. It supports I/O voltages from 1.7 V to 5.5 V providing a wide range of controller support.

### 8.3.2 Digital Inputs and Outputs

#### 8.3.2.1 $TXD$ Pin

$TXD$  is a logic-level input signal, referenced to  $V_{IO}$ , from a CAN FD controller to the TCAN1043A-Q1.  $TXD$  is biased to the  $V_{IO}$  level to force a recessive input in case the pin floats.

#### 8.3.2.2 $RXD$ Pin

$RXD$  is a logic-level signal output, referenced to  $V_{IO}$ , from the TCAN1043A-Q1 to a CAN FD controller. The  $RXD$  pin is driven to the  $V_{IO}$  level as logic-high outputs once a valid  $V_{IO}$  is present.

When a power-on or wake-up event takes place, the  $RXD$  pin is pulled low.

#### 8.3.2.3 $nFAULT$ Pin

$nFAULT$  is a logic-level output signal, referenced to  $V_{IO}$ , from the TCAN1043A-Q1 to a CAN FD controller. The  $nFAULT$  output is driven to the  $V_{IO}$  level as logic-high output.

The  $nFAULT$  output is used to transmit the TCAN1043A-Q1 status indicator flags to the CAN FD controller. Please see [Table 8-1](#) for the specific fault scenarios that are indicated externally via the  $nFAULT$  pin. The TCAN1043A-Q1 puts the  $nFAULT$  pin in the high-impedance state in the Sleep mode to conserve power because there are no fault scenarios that are indicated externally in the Sleep mode.

#### 8.3.2.4 $EN$ Pin

$EN$  is a logic-level input signal, referenced to  $V_{IO}$ , from a CAN FD controller to the TCAN1043A-Q1. The  $EN$  input pin is for mode selection in conjunction with the  $nSTB$  pin.  $EN$  is internally pulled low to prevent excessive system power and false wake-up events.

#### 8.3.2.5 $nSTB$ Pin

$nSTB$  is a logic-level input signal, referenced to  $V_{IO}$ , from a CAN FD controller to the TCAN1043A-Q1. The  $nSTB$  input pin is for mode selection in conjunction with the  $EN$  pin.  $nSTB$  is internally pulled low to prevent excessive system power and false wake-up events.

### 8.3.3 GND

GND is the ground pin of the transceiver, it must be connected to the PCB ground.

### 8.3.4 INH Pin

The INH pin is a high-voltage output. It can be used to control external regulators. These regulators are usually used to support the microprocessor and  $V_{IO}$  pin. The INH function is on in all modes except for sleep mode. In sleep mode, the INH pin is turned off, going into a high-impedance state. This allows the node to be placed into the lowest power state while in sleep mode. A 100 k $\Omega$  load can be added to the INH output for a fast transition time from the driven high state to the low state and to force the pin low when left floating.

This terminal should be considered a high-voltage logic terminal, not a power output. The INH pin should be used to drive the EN terminal of the system's power management device and should not be used as a switch for the power management supply itself. This terminal is not reverse-battery protected and thus should not be connected outside the system module.

### **8.3.5 WAKE Pin**

The WAKE pin is a high-voltage reverse-blocked input used for the local wake-up (LWU) function. The WAKE pin is bi-directional edge-triggered and recognizes a local wake-up (LWU) on either a rising or falling edge of WAKE pin transition. The LWU function is explained further in the [Local Wake-Up \(LWU\) via WAKE Input Terminal](#) section.

### **8.3.6 CAN Bus Pins**

These are the CAN high and CAN low, CANH and CANL, differential bus pins. These pins are internally connected to the CAN transceiver and the low-voltage wake receiver.

### **8.3.7 Faults**

#### **8.3.7.1 Internal and External Fault Indicators**

The following device status indicator flags are implemented to allow for the MCU to determine the status of the device and the system. In addition to faults, the nFAULT terminal also signals wake-up requests and a "cold" power-up sequence on the V<sub>SUP</sub> battery terminal so the system can do any diagnostics or cold booting sequence necessary. The RXD terminal indicates wake-up request and the faults are multiplexed (ORed) to the nFAULT output.

**Table 8-1. TCAN1043A-Q1 Transceiver Status Indicator**

EVENT	FLAG NAME	CAUSE	INDICATORS <sup>(1)</sup>	FLAG IS CLEARED	COMMENT
Power-up	<i>PWRON</i>	Power up on $V_{SUP}$ and any return of $V_{SUP}$ after it has been below $UV_{SUP}$	nFAULT = low upon entering silent mode from standby or sleep mode	After a transition to normal mode	A cold start condition generates a local wake-up WAKERQ, WAKESR and a PWRON flag.
Wake-up Request	<i>WAKERQ</i> <sup>(2)</sup>		nFAULT = RXD = low after wake-up upon entering standby mode	After a transition to normal mode or $V_{CC} < UV_{CC(F)}$ or $V_{IO} < UV_{IO(F)}$ for $t \geq t_{UV}$	Wake-up request may only be set from standby, go-to-sleep, or sleep mode. Resets timers for $UV_{VCC}$ or $UV_{VIO}$ .
Wake-up Source Recognition <sup>(3)</sup>	<i>WAKESR</i>	Wake-up event on CAN bus, state transition on WAKE pin, or initial power up	Available upon entering normal mode <sup>(4)</sup> nFAULT = low indicates a local wake-up event from the WAKE pin nFAULT = high indicates a remote wake-up event from the CAN bus	After four recessive-to-dominant edges on TXD in normal mode, leaving normal mode, or $V_{CC} < UV_{CC(F)}$ or $V_{IO} < UV_{IO(F)}$ for $t \geq t_{UV}$	A cold start condition generates a local wake-up WAKERQ, WAKESR and a PWRON flag.
Undervoltage	$UV_{CC}$	$V_{CC} < UV_{CC(F)}$	Not externally indicated	$V_{CC} > UV_{CC(R)}$ , or a wake-up request occurs	
	$UV_{IO}$	$V_{IO} < UV_{IO(F)}$	Not externally indicated	$V_{IO} > UV_{IO(R)}$ , or a wake-up request occurs	
	$UV_{SUP}$	$V_{SUP} < UV_{SUP(F)}$	Not externally indicated	$V_{SUP} > UV_{SUP(R)}$	A $V_{SUP}$ undervoltage event generates a cold start condition once $V_{SUP} > UV_{SUP(R)}$
CAN Bus Fault	<i>CBF</i>	See <a href="#">CAN Bus Fault</a>	nFAULT = low in normal mode only <sup>(5)</sup>	Upon leaving normal mode, or if no CAN bus fault is detected for four consecutive dominant-to-recessive transitions of the TXD pin while in normal mode	CAN bus fault must persist for four consecutive dominant-to-recessive transitions
Local Faults	<i>TXDCLP</i>	TXD low when CAN active mode is entered	nFAULT = low upon entering silent mode from normal mode	RXD = low & TXD = high, TXD = high & a mode transition into normal, standby, go-to-sleep, or sleep modes	CAN driver remains disabled until the <i>TXDCLP</i> is cleared. CAN receiver remains active during the <i>TXDCLP</i> fault
	<i>TXDDTO</i>	TXD dominant time out, dominant (low) signal for $t \geq t_{TXDDTO}$			CAN driver remains disabled until the <i>TXDDTO</i> is cleared. CAN receiver remains active during the <i>TXDDTO</i> fault
	<i>TXDRXD</i>	TXD and RXD pins are shorted together for $t \geq t_{TXDDTO}$			CAN driver remains disabled until the <i>TXDRXD</i> is cleared. CAN receiver remains active during the <i>TXDRXD</i> fault
	<i>CANDOM</i>	CAN bus dominant fault, when dominant bus signal received for $t \geq t_{BUSDOM}$			CAN driver remains enabled during <i>CANDOM</i> fault
	<i>TSD</i>	Thermal shutdown, $T_J \geq T_{SDR}$			CAN driver remains disabled until the <i>TSD</i> event is cleared

(1)  $V_{IO}$  and  $V_{SUP}$  are present

(2) Transitions to go-to-sleep mode is blocked until WAKERQ flag is cleared

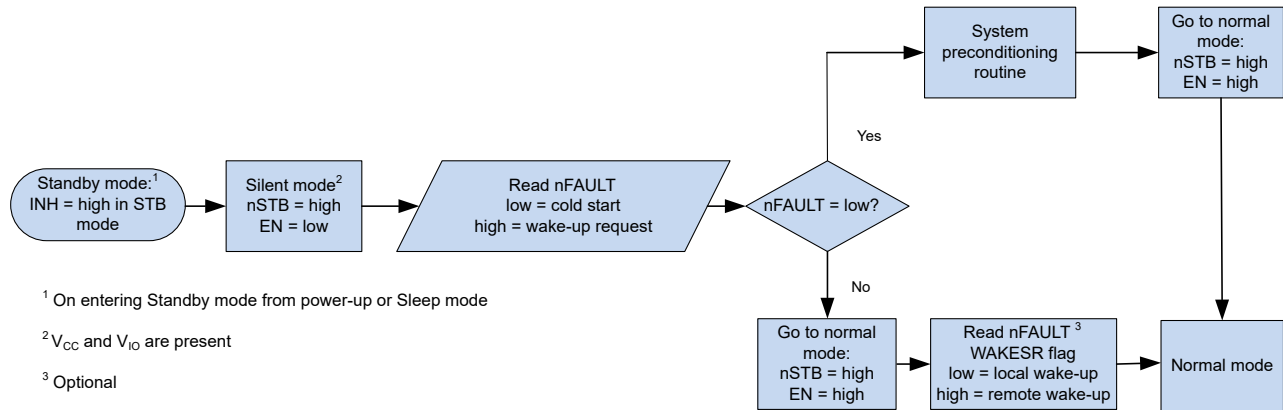
(3) Wake-up source recognition reflects the first wake up source. If additional wake-up events occur the source still indicates the original wake-up source

(4) Indicator is only available in normal mode until the flag is cleared

(5) CAN Bus failure flag is indicated after four dominant-to-recessive edges on TXD

### 8.3.7.1.1 Power-Up (*PWRON* Flag)

This is an internal and external flag that can be used to control the power-up sequence of the system. When a new battery connection to the transceiver is made the *PWRON* flag is set signifying a cold start condition. The TCAN1043A-Q1 treats any undervoltage conditions on the  $V_{SUP}$ ,  $V_{SUP} < UV_{SUP(F)}$ , as a cold start. Therefore, when the  $V_{SUP} > UV_{SUP(R)}$  condition is met the TCAN1043A-Q1 sets the *PWRON* flag which can be used by the system to enter a routine that is only called upon in cold start situations. The *PWRON* flag is indicated by nFAULT driven low after entering silent mode from either standby mode or sleep mode. This flag is cleared after a transition to normal mode.



**Figure 8-2. Distinguishing between PWRON and Wake Request by Entering Silent Mode**

### 8.3.7.1.2 Wake-Up Request (WAKERQ Flag)

This is an internal and external flag that can be set in standby, go-to-sleep, or sleep mode. This flag is set when either a valid local wake-up (LWU) request occurs, or a valid remote wake request occurs, or on power up on  $V_{SUP}$ . The setting of this flag clears the  $t_{UV}$  timer for the  $UV_{CC}$  or  $UV_{IO}$  fault detection. This flag is cleared upon entering normal mode or during an undervoltage event on  $V_{CC}$  or  $V_{IO}$ .

### 8.3.7.1.3 Undervoltage Faults

The TCAN1043A-Q1 device implements undervoltage detection circuits on all supply terminals:  $V_{SUP}$ ,  $V_{CC}$ , and  $V_{IO}$ . The undervoltage flags are internal indicator flags and are not indicated on the nFAULT output pin.

#### 8.3.7.1.3.1 Undervoltage on $V_{SUP}$

$UV_{SUP}$  is set when the voltage on  $V_{SUP}$  drops below the undervoltage detection voltage threshold,  $UV_{SUP}$ . The PWRON and WAKERQ flags are set once  $V_{SUP} > UV_{SUP(R)}$ .

#### 8.3.7.1.3.2 Undervoltage on $V_{CC}$

$UV_{CC}$  is set when the voltage on  $V_{CC}$  drops below the undervoltage detection voltage threshold,  $UV_{CC}$ , for longer than the  $t_{UV}$  undervoltage filter time.

#### 8.3.7.1.3.3 Undervoltage on $V_{IO}$

$UV_{IO}$  is set when the voltage on  $V_{IO}$  drops below the undervoltage detection voltage threshold,  $UV_{IO}$ , for longer than the  $t_{UV}$  undervoltage filter time.

### 8.3.7.1.4 CAN Bus Fault (CBF Flag)

The TCAN1043A-Q1 device can detect the following six fault conditions and set the nFAULT pin low as an interrupt so that the controller can be notified and act if a CAN bus fault exists. These failures are detected while transmitting a dominant signal on the CAN bus. If one of these fault conditions persists for four consecutive dominant-to-recessive bit transitions, the nFAULT indicates a CAN bus failure flag in Normal mode by driving the nFAULT pin low. The CAN bus driver remains active. Table 8-2 shows what fault conditions can be detected by the TCAN1043A-Q1.

**Table 8-2. Bus Fault Pin State and Detection Table**

FAULT	Condition
1	CANH Shorted to $V_{BAT}$
2	CANH Shorted to $V_{CC}$
3	CANH Shorted to GND
4	CANL Shorted to $V_{BAT}$
5	CANL Shorted to $V_{CC}$
6	CANL Shorted to GND

Bus fault detection is a system level situation. If the fault is occurring at the ECU the general communication of the bus may be compromised. Until a diagnostic determination can be made the transceiver remains in CAN active mode during a CAN bus fault enabling the ECU to transmit data to the CAN bus and receive data from the CAN bus. For complete coverage of a node, a system level diagnostic step should be performed for each node and the information should be communicated back to a central point.

While in normal mode, if no CAN bus fault is detected for four consecutive dominant-to-recessive transitions on the TXD pin then the CBF flag is cleared and nFAULT is driven high. The bus fault failure circuitry is able to detect bus faults for a range of differential resistance loads ( $R_{CBF}$ ) and for any time greater than  $t_{CBF}$ .

#### 8.3.7.1.5 TXD Clamped Low (*TXDCLP* Flag)

*TXDCLP* is an external flag that is set if the transceiver detects that the TXD is clamped low before entering CAN active mode. If a *TXDCLP* condition exists the nFAULT pin is driven low upon entering silent mode from normal mode and the CAN bus driver is disabled until the fault is cleared. The *TXDCLP* flag is cleared at power-up, when entering CAN active mode with TXD recessive, or when TXD is recessive while RXD is dominant, if no other local failures exist.

#### 8.3.7.1.6 TXD Dominant State Timeout (*TXDDTO* Flag)

*TXDDTO* is an external flag that is set if the TXD pin is held dominant for  $t > t_{TXDDTO}$ . If a TXD DTO condition exists, the nFAULT pin is driven low upon entering silent mode from normal mode. The *TXDDTO* flag is cleared on the next dominant-to-recessive transition on TXD or upon a transition into normal, standby, go-to-sleep, or sleep modes.

#### 8.3.7.1.7 TXD Shorted to RXD Fault (*TXDRXD* Flag)

*TXDRXD* is an external flag that is set if the transceiver detects that the TXD and RXD lines have been shorted together for  $t \geq t_{TXDDTO}$ . If a *TXDRXD* condition exists the nFAULT pin is driven low upon entering silent mode from normal mode and the CAN bus driver is disabled until the *TXDRXD* fault is cleared. The *TXDRXD* flag is cleared on the next dominant-to-recessive transition with TXD high and RXD low or upon a transition into normal, standby, go-to-sleep, or sleep modes.

#### 8.3.7.1.8 CAN Bus Dominant Fault (*CANDOM* Flag)

*CANDOM* is an external flag that is set if the CAN bus is stuck dominant state for  $t > t_{BUSDOM}$ . If a *CANDOM* condition exists the nFAULT pin is driven low upon entering silent mode from normal mode. The *CANDOM* flag is cleared on the next dominant-to-recessive transition on RXD or upon a transition into normal, standby, go-to-sleep, or sleep modes.

### 8.3.8 Local Faults

Local faults are detected in both normal mode and silent mode, but are only indicated via the nFAULT pin when the TCAN1043A-Q1 transitions from normal mode to silent mode. All other mode transitions clear the local fault flag indicators.

#### 8.3.8.1 TXD Clamped Low (*TXDCLP*)

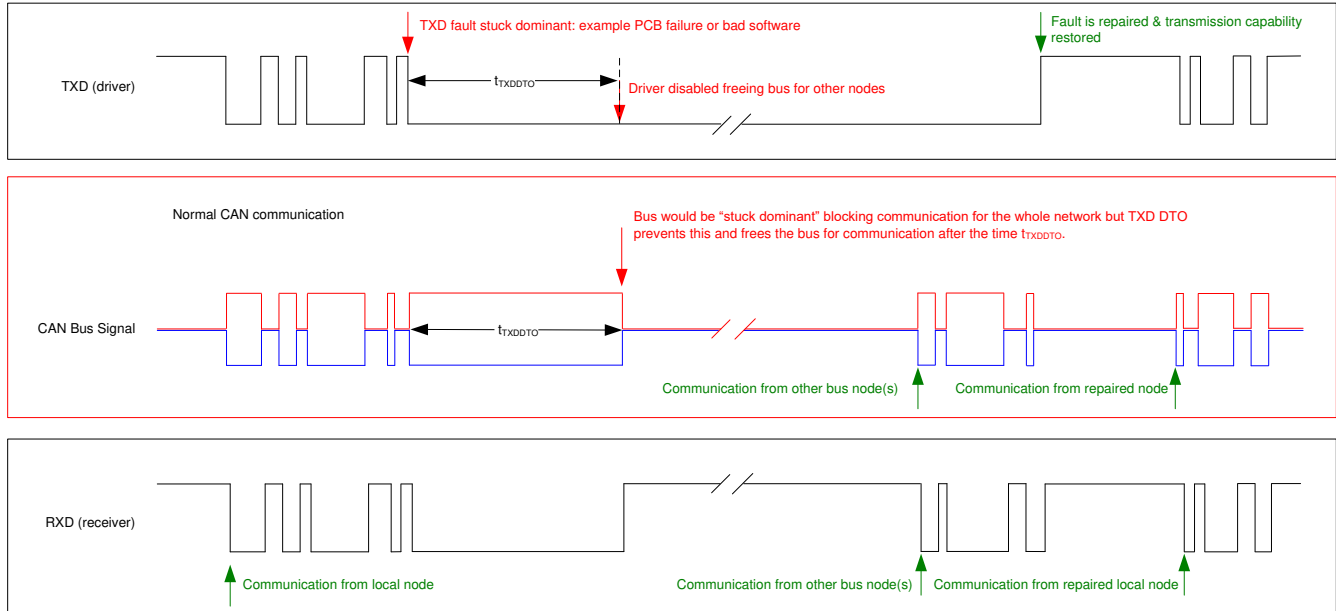
If the TXD pin is clamped low prior to entering CAN active mode the CAN driver is disabled releasing the bus line to the recessive level. The CAN driver will be activated again when entering normal mode with TXD recessive, when TXD is recessive while RXD is dominant, if no other local failures exist, or on power-up. During a *TXDCLP* fault the high-speed receiver remains active and the RXD output pin will mirror the CAN bus.

#### 8.3.8.2 TXD Dominant Timeout (*TXD DTO*)

While the CAN driver is in active mode a TXD dominant state timeout circuit prevents the local node from blocking network communication in event of a hardware or software failure where TXD is held dominant longer than the timeout period,  $t > t_{TXDDTO}$ . The TXD dominant state timeout circuit is triggered by a falling edge on the TXD pin. If no rising edge is seen before on TXD before  $t > t_{TXDDTO}$  than the CAN driver is disabled releasing the bus lines to the recessive level. This keeps the bus free for communication between other nodes on the network.

The CAN driver will be activated again on the next dominant-to-recessive transition on the TXD pin. During a *TXDDTO* fault the high-speed receiver remains active and the RXD output pin will mirror the CAN bus.





**Figure 8-3. Timing Diagram for TXD DTO**

The minimum dominant TXD time allowed by the dominant state timeout circuit limits the minimum possible transmitted data rate of the transceiver. The CAN protocol allows a maximum of eleven successive dominant bits to be transmitted in the worst case, where five successive dominant bits are followed immediately by an error frame. The minimum transmitted data rate may be calculated using the minimum  $t_{TXDDTO}$  time in [Equation 1](#).

$$\text{Minimum Data Rate} = 11 \text{ bits} / t_{TXDDTO} = 11 \text{ bits} / 1.2 \text{ ms} = 9.2 \text{ kbps} \quad (1)$$

### 8.3.8.3 Thermal Shutdown (TSD)

If the junction temperature of the TCAN1043A-Q1 exceeds the thermal shutdown threshold the device turns off the CAN driver circuits thus blocking the TXD to bus transmission path. The CAN bus terminals are biased to recessive level during a TSD fault and the receiver to RXD path remains operational. The TSD fault condition is cleared when the junction temperature,  $T_J$ , of the device drops below the thermal shutdown release temperature,  $T_{SDF}$ , of the device. If the fault condition that caused the TSD fault is still present, the temperature may rise again and the device will enter thermal shutdown again. Prolonged operation with TSD fault conditions may affect device reliability. The TSD circuit includes hysteresis to avoid any oscillation of the driver output. During the fault the TSD fault condition is indicated to the CAN FD controller via the nFAULT terminal.

### 8.3.8.4 Undervoltage Lockout (UVLO)

The supply terminals,  $V_{SUP}$ ,  $V_{IO}$  and  $V_{CC}$ , are monitored for undervoltage events. If an undervoltage event occurs the TCAN1043A-Q1 enters a protected state where the bus pins present no load to the CAN bus. This protects the CAN bus and system from unwanted glitches and excessive current draw that could impact communication between other CAN nodes on the CAN bus.

If an undervoltage event occurs on  $V_{SUP}$  in any mode, the TCAN1043A-Q1 CAN transceiver enters the CAN off state.

If an undervoltage event occurs on  $V_{CC}$ , the TCAN1043A-Q1 remains in normal or silent mode but the CAN transceiver changes to the CAN autonomous active state. During a  $UV_{CC}$  event, RXD remains high as long as  $V_{IO}$  is present and the wake-up circuitry is inactive. See [Figure 8-10](#). If the undervoltage event persists longer than  $t_{UV}$ , the TCAN1043A-Q1 transitions to sleep mode.

If an undervoltage event occurs on the  $V_{IO}$ , the TCAN1043A-Q1 transitions to standby mode. If the undervoltage event persists longer than  $t_{UV}$ , the TCAN1043A-Q1 transitions to sleep mode.

Once an undervoltage condition is cleared and the supplies have returned to valid levels, the device typically needs 200  $\mu$ s to transition to normal operation.

### 8.3.8.5 Unpowered Devices

The device is designed to be a passive or no load to the CAN bus if it is unpowered. The CANH and CANL pins have low leakage currents when the device is unpowered, so they present no load to the bus. This is critical if some nodes of the network are unpowered while the rest of the of network remains in operation.

The logic terminals also have low leakage currents when the device is unpowered so they do not load down other circuits which may remain powered.

### 8.3.8.6 Floating Terminals

The TCAN1043A-Q1 has internal pull-ups and pull-downs on critical pins to make sure a known operating behavior if the pins are left floating. See [Table 8-3](#) for the pin fail-safe biasing protection description.

**Table 8-3. Pin Fail-safe Biasing**

PIN	FAIL-SAFE PROTECTION	VALUE	COMMENT
TXD	Recessive level	60 k $\Omega$	Weak pull-up to V <sub>IO</sub>
EN	Low-power mode		Weak pull-down to GND
nSTB	Low-power mode		Weak pull-down to GND

This internal bias should not be relied upon by design but rather a fail-safe option. Special care needs to be taken when the transceiver is used with a CAN FD controller that has open-drain outputs. The TCAN1043A-Q1 implements a weak internal pull-up resistor on the TXD pin. The bit timing requirements for CAN FD data rates require special consideration and the pull-up strength should be considered carefully when using open-drain outputs. An adequate external pull-up resistor must be used to make sure the TXD output of the CAN FD controller maintains proper bit timing input to the CAN device.

### 8.3.8.7 CAN Bus Short-Circuit Current Limiting

The TCAN1043A-Q1 has several protection features that limit the short-circuit current when a CAN bus line is shorted. These include CAN driver current limiting in the dominant and recessive states and TXD dominant state timeout which prevents permanently having the higher short-circuit current of a dominant state in case of a system fault.

During CAN communication the bus switches between the dominant and recessive states, thus the short-circuit current may be viewed either as the current during each bus state or as an average current. The average short-circuit current should be used when considering system power for the termination resistors and common-mode choke. The percentage of time that the driver can be dominant is limited by the TXD dominant state timeout and the CAN protocol which has forced state changes and recessive bits such as bit stuffing, control fields, and interframe spacing. These makes sure there is a minimum recessive time on the bus even if the data field contains a high percentage of dominant bits.

The short-circuit current of the bus depends on the ratio of recessive to dominant bits and their respective short-circuit currents. The average short-circuit current may be calculated using [Equation 2](#).

$$I_{OS(AVG)} = \%Transmit \times [(\%REC\_Bits \times I_{OS(SS)\_REC}) + (\%DOM\_Bits \times I_{OS(SS)\_DOM})] + [\%Receive \times I_{OS(SS)\_REC}] \quad (2)$$

Where:

- $I_{OS(AVG)}$  is the average short-circuit current
- $\%Transmit$  is the percentage the node is transmitting CAN messages
- $\%Receive$  is the percentage the node is receiving CAN messages
- $\%REC\_Bits$  is the percentage of recessive bits in the transmitted CAN messages
- $\%DOM\_Bits$  is the percentage of dominant bits in the transmitted CAN messages
- $I_{OS(SS)\_REC}$  is the recessive steady state short-circuit current
- $I_{OS(SS)\_DOM}$  is the dominant steady state short-circuit current

The short-circuit current and possible fault cases of the network should be taken into consideration when sizing the power ratings of the termination resistance and other network components.

### 8.4 Device Functional Modes

The TCAN1043A-Q1 has six operating modes: normal, standby, silent, go-to-sleep, sleep, and off mode. Operating mode selection is controlled using the nSTB pin and EN pin in conjunction with supply conditions, temperature conditions, and wake events.

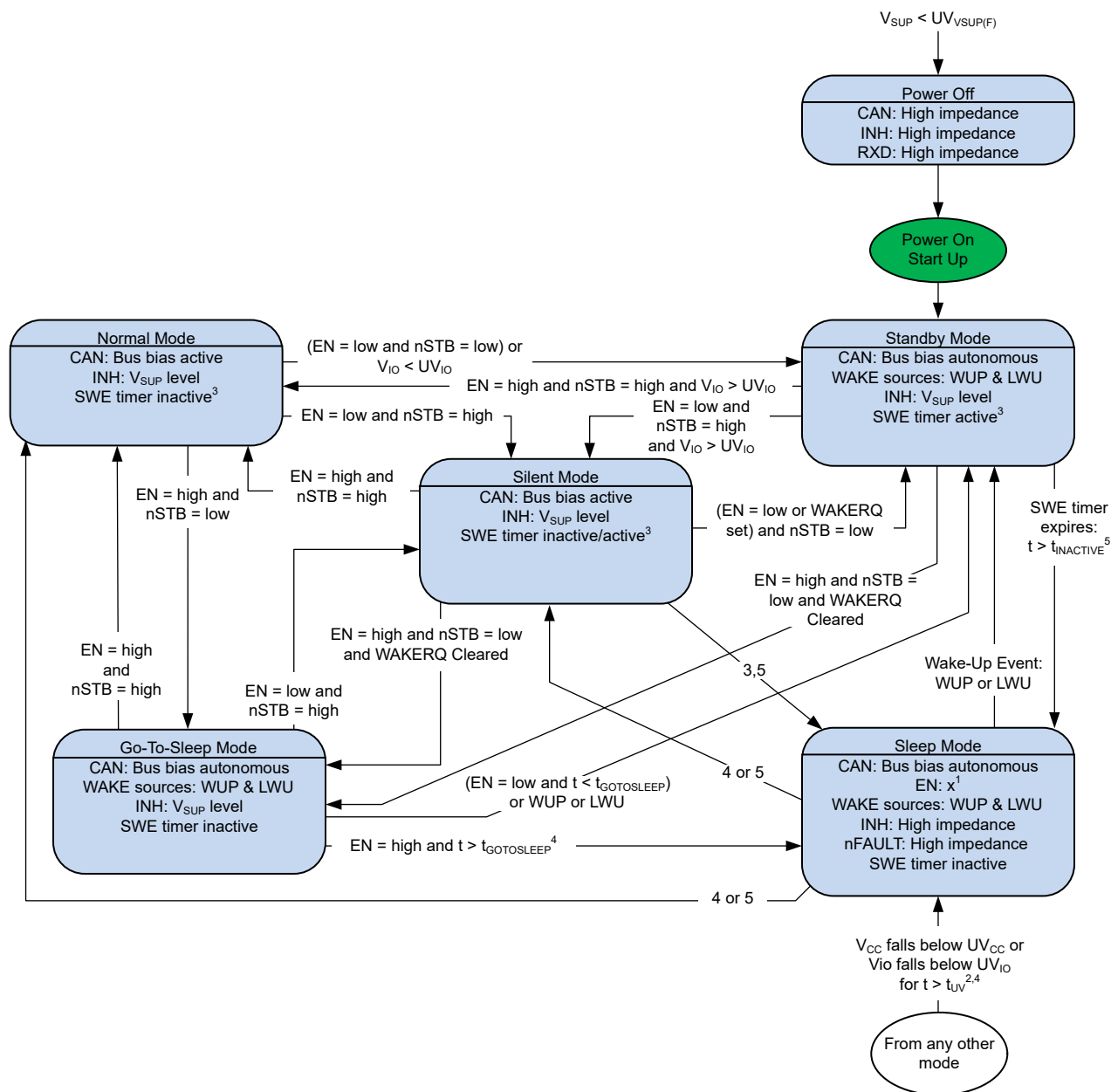
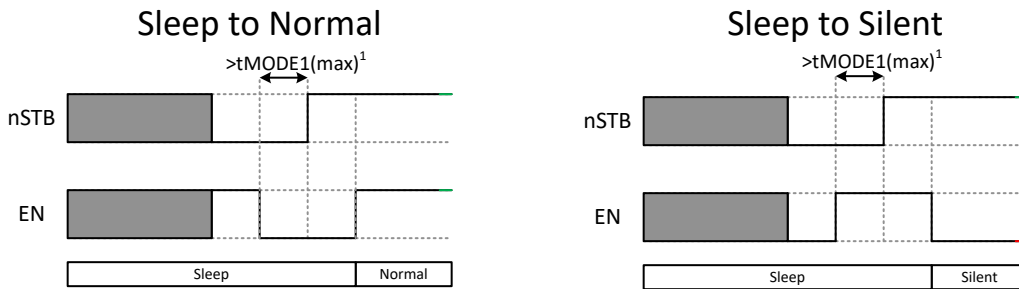


Figure 8-4. TCAN1043A-Q1 State Machine

1. The enable pin can be in a logical high or low state while in sleep mode but since it has an internal pull-down, the lowest possible power consumption occurs when the pin is left either floating or pulled low externally.
2. At power-up, the undervoltage timers for  $V_{CC}$  and  $V_{IO}$  are disabled, allowing for longer period for  $V_{CC}$  and  $V_{IO}$  supplies to power up (up to  $t_{INACTIVE}$ ).  $V_{CC}$  or  $V_{IO}$  need to be above  $UV_{CC(R)}$  and  $UV_{IO(R)}$  respectively to enable their respective  $t_{UV}$  timers. The  $V_{CC}$  undervoltage timer starts when  $V_{CC}$  falls below  $UV_{CC(F)}$ , while

$V_{IO}$  undervoltage timer starts when  $V_{IO}$  falls below  $UV_{IO(F)}$ . When either of these timers exceed  $t_{UV}$ , the device enters sleep mode.

- The Sleep Wake Error (SWE) timer starts as soon as the device enters Standby mode. The timer halts and resets as soon as the device enters Normal mode. If the device enters Silent mode from Standby mode, the SWE timer does not halt and the device needs to be transitioned to Normal mode before the SWE timer expires. If the device enters Silent mode from Normal mode, the SWE timer will not be active in Silent mode.
- When the Sleep mode is entered from Go-To-Sleep Mode or from a  $UV_{CC}$  or  $UV_{IO}$  event, a low-to-high transition on nSTB is required to move the device into Normal or Silent mode. If EN is high during the rising edge on nSTB, the device moves to Normal mode. If EN is low during the rising edge on nSTB, the device moves to Silent mode.  $V_{IO}$  must be above  $UV_{IO(R)}$  in order to leave Sleep mode using the EN and nSTB signals.
- When Sleep mode is entered due to an SWE timer timeout ( $>t_{INACTIVE}$ ), there is an extra requirement to exit Sleep mode and transition into Normal or Silent mode directly using the EN and nSTB signals. To move to Normal mode, the nSTB pin must be high and a low-to-high transition must occur on EN. To move to Silent mode, the nSTB pin must be high and a high-to-low transition must occur on EN. If the device entered Sleep mode while the nSTB was already high, there must be a transition on the EN pin while nSTB is low prior to the sequence described above. See Figure 8-5 for more information.  $V_{IO}$  must be above  $UV_{IO(R)}$  to leave Sleep mode by using the EN and nSTB signals.



- nSTB must remain low for a minimum of  $t_{MODE1}$  after the edge on EN. Once this  $t_{MODE1}$  has elapsed, nSTB may be driven high. The following edge on EN will cause the device to exit Sleep mode. The final edge on EN does not have any minimum delay from the rising edge of nSTB. The enable pin can be in a logical high or low state while in sleep mode, but since it has an internal pull-down, the lowest possible power consumption occurs when the pin is left either floating or pulled low externally.

**Figure 8-5. TCAN1043A-Q1 Transitioning from Sleep Mode to Normal or Silent Mode if Sleep Mode is Entered Due to SWE Timer Timeout**

**Table 8-4. TCAN1043A-Q1 Mode Overview**

MODE	$V_{CC}$ and $V_{IO}$	$V_{SUP}$	EN	nSTB	WAKERQ FLAG	DRIVER	RECEIVER	RXD	INH
Normal	$> UV_{CC}$ and $> UV_{IO}$	$> UV_{SUP}$	High	High	X	Enabled	Enabled	Mirrors bus state	On
Silent	$> UV_{CC}$ and $> UV_{IO}$	$> UV_{SUP}$	Low	High	X	Disabled	Enabled	Mirrors bus state	On
Standby	$> UV_{CC}$ and $> UV_{IO}$	$> UV_{SUP}$	High	Low	Set	Disabled	Low power bus monitor enabled	Low signals wake-up	On
	$> UV_{CC}$ and $> UV_{IO}$	$> UV_{SUP}$	Low	Low	X	Disabled	Low power bus monitor enabled	Low signals wake-up	On
	$> UV_{CC}$ and $< UV_{IO}$	$> UV_{SUP}$	Low	Low	X	Disabled	Low power bus monitor enabled	High impedance	On
Go-to-sleep <sup>(1)</sup>	$> UV_{CC}$ and $> UV_{IO}$	$> UV_{SUP}$	High	Low	Cleared	Disabled	Low power bus monitor enabled	High or high impedance (no $V_{IO}$ )	On <sup>(2)</sup>
Sleep <sup>(3)</sup>	$> UV_{CC}$ and $> UV_{IO}$	$> UV_{SUP}$	High	Low	Cleared	Disabled	Low power bus monitor enabled	High or high impedance (no $V_{IO}$ )	High Impedance
	$< UV_{CC}$ or $< UV_{IO}$	$> UV_{SUP}$	X	X	X	Disabled	Low power bus monitor enabled	High or high impedance (no $V_{IO}$ )	High impedance
Protected	X	$< UV_{SUP}$	X	X	X	Disabled	Disabled	High impedance	High impedance

- Go-to-sleep: Transitional mode for EN = H, nSTB = L until  $t_{GOTOSLEEP}$  timer has expired.
- The INH pin transitions to high impedance after the  $t_{GOTOSLEEP}$  timer has expired.
- Mode change from go-to-sleep mode to sleep mode once  $t_{GOTOSLEEP}$  timer has expired.

## 8.4.1 Operating Mode Description

### 8.4.1.1 Normal Mode

This is the normal operating mode of the device. The CAN driver and receiver are fully operational and CAN communication is bi-directional. The driver is translating a digital input on TXD to a differential output on CANH and CANL. The receiver is translating the differential signal from CANH and CANL to a digital output on RXD.

Entering normal mode clears both the WAKERQ and the PWRON flags.

The SWE timer halts and resets upon entering normal mode.

### 8.4.1.2 Silent Mode

Silent mode is commonly referred to as listen only and receive only mode. In this mode, the CAN driver is disabled but the receiver is fully operational and CAN communication is unidirectional into the device. The receiver is translating the differential signal from CANH and CANL to a digital output on the RXD terminal.

In silent mode, PWRON and Local Failure flags are indicated on the nFAULT pin.

If the device enters silent mode from standby mode, the SWE timer does not halt and the device needs to be transitioned to normal mode before the SWE timer expires. If the SWE timer expires in silent mode, the device is transitioned to sleep mode.

### 8.4.1.3 Standby Mode

Standby mode is a low-power mode where the driver and receiver are disabled, reducing current consumption. However, this is not the lowest power mode of the device since the INH terminal is on, allowing the rest of the system to resume normal operation.

During standby mode, a wake-up request (WAKERQ) is indicated by the RXD terminal being low. The wake-up source is identified via the nFAULT pin after the device is returned to normal mode.

In standby mode, a fail-safe timer called Sleep Wake Error (SWE) timer is enabled. The timer adds an additional layer of protection by requiring the system controller to configure the transceiver to normal mode before it expires. This feature forces the TCAN1043A-Q1 to transition to its lowest power mode, sleep mode, after  $t_{INACTIVE}$  if the processor does not come up properly and fails to transition the device to Normal mode.

### 8.4.1.4 Go-To-Sleep Mode

Go-to-sleep mode is the transitional mode of the device from any state to sleep. In this state the driver and receiver are disabled, reducing the current consumption. The INH pin is active in order to supply an enable to the  $V_{IO}$  controller which allows the rest of the system to operate normally. If the device is held in this state for  $t \geq t_{GOTOSLEEP}$  the device transitions to sleep mode and the INH turns off transitioning to the high impedance state.

If any wake-up events persist, the TCAN1043A-Q1 remains in standby mode until the device is switched into normal mode to clear the pending wake-up events.

### 8.4.1.5 Sleep Mode

Sleep mode is the lowest power mode of the TCAN1043A-Q1. In sleep mode, the CAN transmitter and the main receiver are switched off and the transceiver cannot send or receive data. The low power receiver is able to monitor the bus for any activity that validates the wake-up pattern (WUP) requirements, and the WAKE monitoring circuit monitors for state changes on the WAKE terminal for a local wake-up (LWU) event.  $I_{SUP}$  current is reduced to its minimum level when the CAN transceiver is in CAN autonomous inactive state. The INH pin is switched off in sleep mode causing any system power supplies controlled by INH to be switched off thus reducing system power consumption.

Sleep mode is exited:

- If a valid wake-up pattern (WUP) is received via the CAN bus pins
- On a local WAKE (LWU) event
- On a low-to-high transition of the nSTB pin

When the Sleep mode is entered due to an SWE timer timeout ( $>t_{\text{INACTIVE}}$ ), there is an extra requirement to enter Normal or Silent mode directly (without entering Standby mode via LWU or WUP) using the EN and nSTB signals. In order to move to the Normal mode, the nSTB pin must be high and a low-to-high transition must occur on EN. In order to move to the Silent mode, the nSTB pin must be high and a high-to-low transition must occur on EN. If the device entered the Sleep mode while the nSTB was already high, there must be a transition on the EN pin while nSTB is low prior to the sequence described above. See [Figure 8-5](#) for more information.  $V_{\text{IO}}$  must be above  $UV_{\text{IO(R)}}$  in order to leave the Sleep mode using the EN and nSTB signals.

#### 8.4.1.5.1 Remote Wake Request via Wake-Up Pattern (WUP)

The TCAN1043A-Q1 implements a low-power wake receiver in the standby and sleep mode that uses the multiple filtered dominant wake-up pattern (WUP) defined in the ISO11898-2:2016 standard.

The wake-up pattern (WUP) consists of a filtered dominant bus, then a filtered recessive bus time followed by a second filtered dominant bus time. The first filtered dominant initiates the WUP and the bus monitor is now waiting on a filtered recessive; other bus traffic will not reset the bus monitor. Once a filtered recessive is received the bus monitor is now waiting on a filtered dominant, and again, other bus traffic will not reset the bus monitor. Immediately upon receiving of the second filtered dominant the bus monitor will recognize the WUP and drive the RXD terminal low, if a valid  $V_{\text{IO}}$  is present signaling to the controller the wake-up request. If a valid  $V_{\text{IO}}$  is not present when the wake-up pattern is received the transceiver drives the RXD output pin low once  $V_{\text{IO}} > UV_{\text{IO(R)}}$ .

The WUP consists of:

- A filtered dominant bus of at least  $t_{\text{WK(FILTER)}}$  followed by
- A filtered recessive bus time of at least  $t_{\text{WK(FILTER)}}$  followed by
- A second filtered dominant bus time of at least  $t_{\text{WK(FILTER)}}$

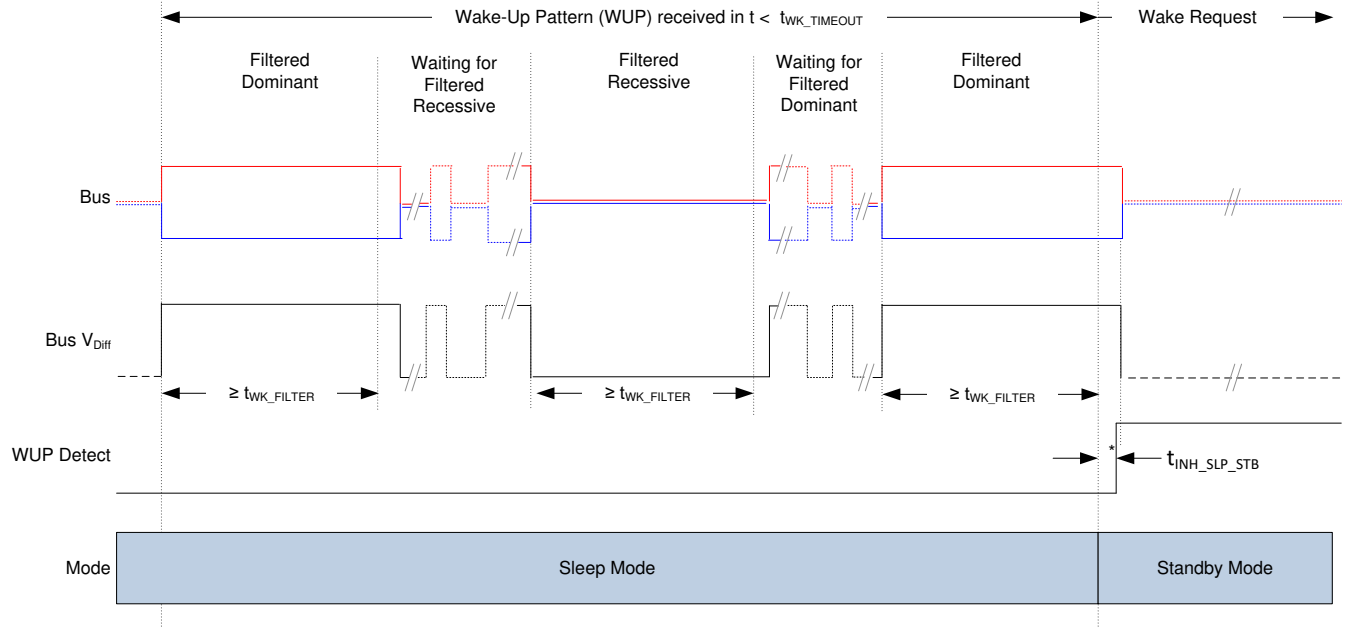
For a dominant or recessive to be considered “filtered,” the bus must be in that state for more than  $t_{\text{WK(FILTER)}}$  time. Due to variability in the  $t_{\text{WK(FILTER)}}$  the following scenarios are applicable. Bus state times less than the  $t_{\text{WK(FILTER)}}$  minimum will never be detected as part of a WUP and thus no wake request will be generated. Bus state times between  $t_{\text{WK(FILTER)}}$  minimum and  $t_{\text{WK(FILTER)}}$  maximum may be detected as part of a WUP and a wake request may be generated. Bus state times more than  $t_{\text{WK(FILTER)}}$  maximum will always be detected as part of a WUP and thus a wake request will always be generated. See [Figure 8-6](#) for the timing diagram of the WUP.

The pattern and  $t_{\text{WK(FILTER)}}$  time used for the WUP and wake request prevents noise and bus stuck dominant faults from causing false wake requests while allowing any CAN or CAN FD message to initiate a wake request.

ISO11898-2:2016 has two sets of times for a short and long wake-up filter times. The  $t_{\text{WK(FILTER)}}$  timing for the TCAN1043A-Q1 has been picked to be within the min and max values of both filter ranges. This timing has been chosen such that a single bit time at 500 kbps, or two back to back bit times at 1 Mbps will trigger the filter in either bus state.

For an additional layer of robustness and to prevent false wake-ups, the transceiver implements the  $t_{\text{WK(TIMEOUT)}}$  timer. For a remote wake-up event to successfully occur, the entire wake-up pattern must be received within the timeout value. If the full wake-up pattern is not received before the  $t_{\text{WK(TIMEOUT)}}$  expires then the internal logic is reset and the transceiver remains in sleep mode without waking up. The full pattern must then be transmitted again within the  $t_{\text{WK(TIMEOUT)}}$  window. See [Figure 8-6](#).

A recessive bus of at least  $t_{\text{WK(FILTER)}}$  must separate the next WUP pattern if the CAN bus is dominant when the  $t_{\text{WK(TIMEOUT)}}$  expires.



\*The RXD pin is only driven once  $V_{IO}$  is present.

Figure 8-6. Wake-Up Pattern (WUP)

#### 8.4.1.5.2 Local Wake-Up (LWU) via WAKE Input Terminal

The WAKE terminal is a bi-directional high-voltage reverse-battery protected input which can be used for local wake-up (LWU) requests via a voltage transition. A LWU event is triggered on either a low-to-high or high-to-low transition since it has bi-directional input thresholds. The WAKE pin could be used with a switch to  $V_{SUP}$  or to ground. If the terminal is unused, it should be pulled to  $V_{SUP}$  or ground to avoid unwanted parasitic wake-up events.

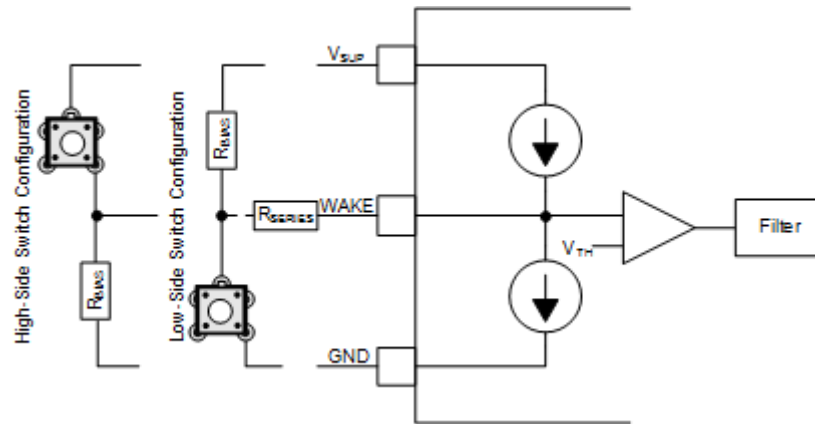


Figure 8-7. WAKE Circuit Example

Figure 8-7 shows two possible configurations for the WAKE pin, a low-side and high-side switch configuration. The objective of the series resistor,  $R_{SERIES}$ , is to protect the WAKE input of the device from over current conditions that may occur in the event of a ground shift or ground loss. The minimum value of  $R_{SERIES}$  can be calculated using the maximum supply voltage,  $V_{SUPMAX}$ , and the maximum allowable current of the WAKE pin,  $I_{IO(WAKE)}$ .  $R_{SERIES}$  is calculated using:

$$R_{SERIES} = V_{SUPMAX} / I_{IO(WAKE)} \quad (3)$$

With absolute maximum voltage,  $V_{SUPMAX}$ , of 45 V and maximum allowable  $I_{IO(WAKE)}$  of 3 mA, the minimum required  $R_{SERIES}$  value is 15 k $\Omega$ .

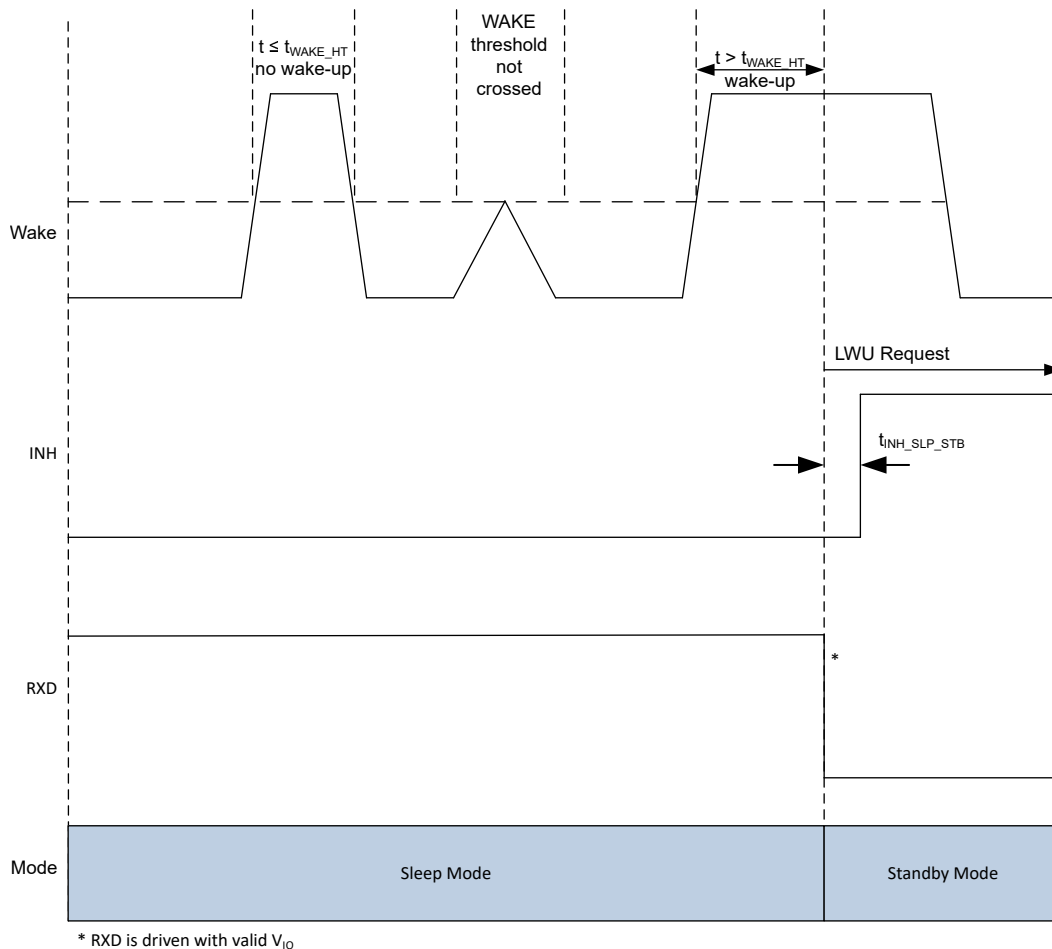
The  $R_{BIAS}$  resistor is used to set the static voltage level of the WAKE input when the switch is released. When the switch is in use in a high-side switch configuration, the  $R_{BIAS}$  resistor in combination with the  $R_{SERIES}$  resistor sets the WAKE pin voltage above the  $V_{IH}$  threshold. The maximum value of  $R_{BIAS}$  can be calculated using the maximum supply voltage,  $V_{SUPMAX}$ , the maximum WAKE threshold voltage  $V_{IH}$ , the maximum WAKE input current  $I_{IH}$  and the series resistor value  $R_{SERIES}$ .  $R_{BIAS}$  is calculated using:

$$R_{BIAS} < ((V_{SUPMAX} - V_{IH}) / I_{IH}) - R_{SERIES} \tag{4}$$

With  $V_{SUPMAX}$  of 45 V,  $V_{IH}$  of 44 V at  $I_{IH}$  of 3  $\mu$ A, the  $R_{BIAS}$  resistor value must be less than 330 k $\Omega$ . It is recommended to use  $R_{Series}$  less than 50 k $\Omega$  to provide better margin for the WAKE pin voltage to rise above  $V_{IH}$  when the switch is released.

The LWU circuitry is active in sleep mode.

The WAKE circuitry is switched off in normal mode.



**Figure 8-8. LWU Request Rising Edge**



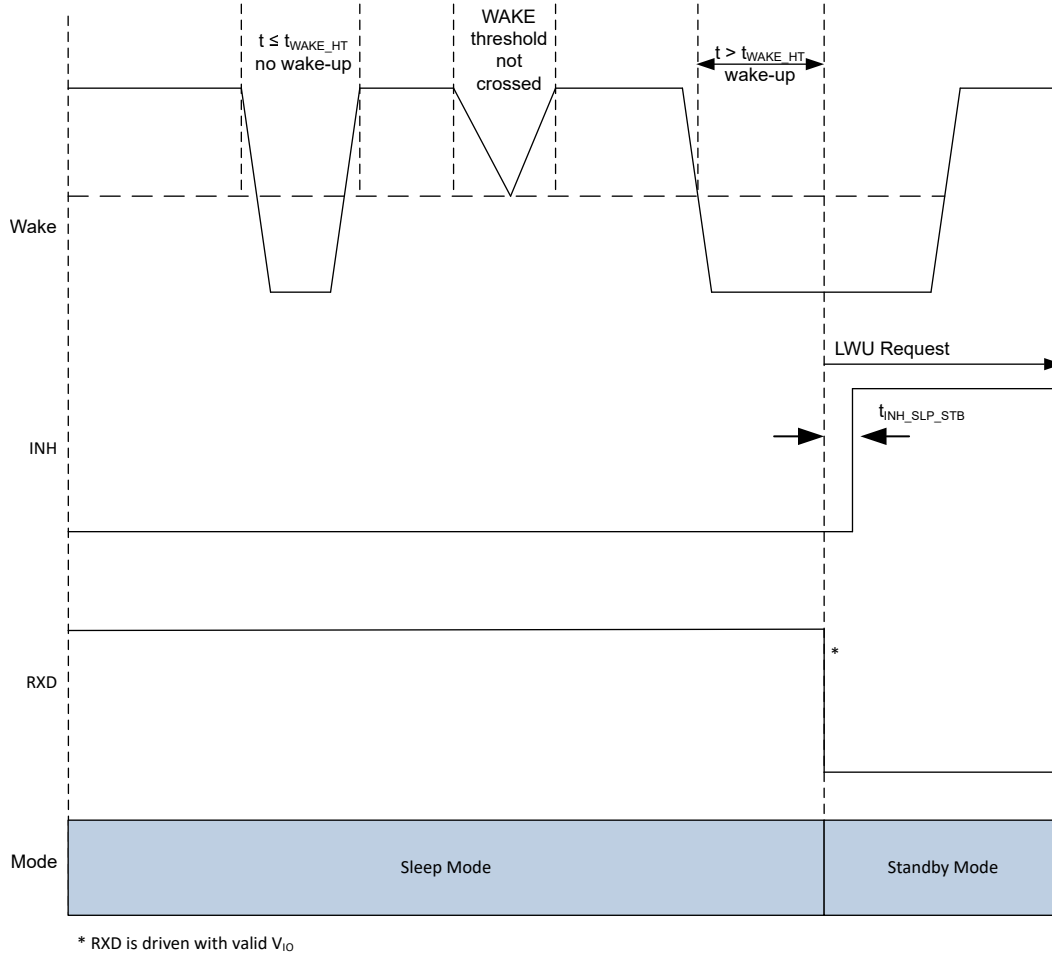


Figure 8-9. LWU Request Falling Edge

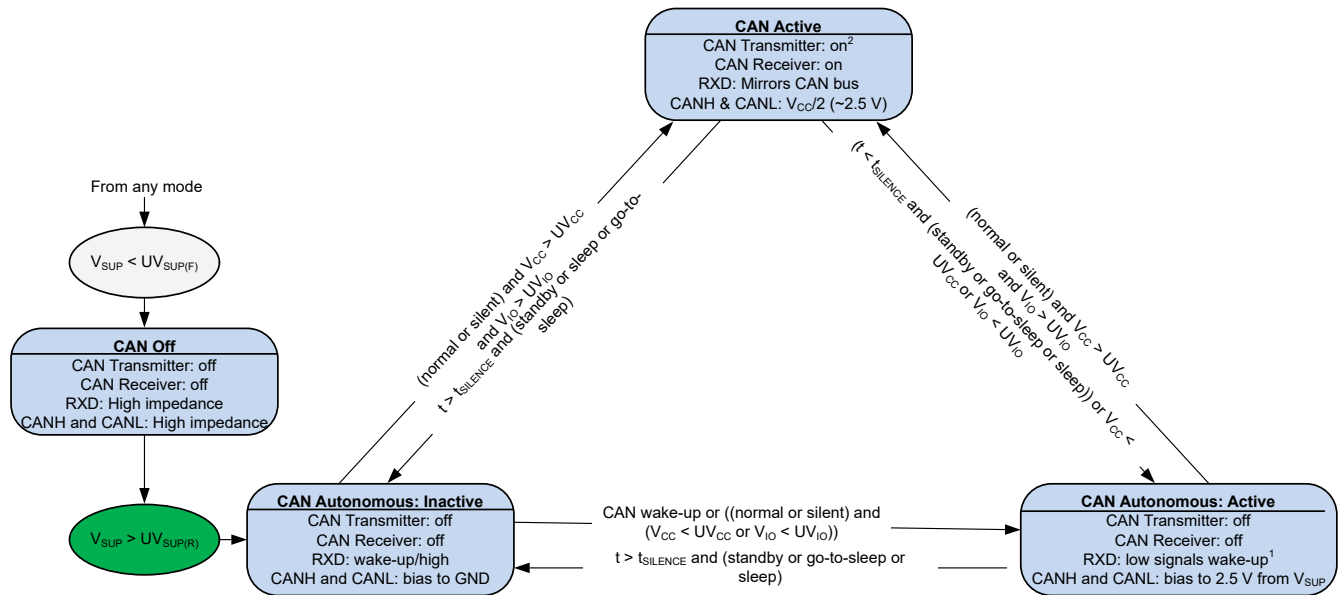
## 8.4.2 CAN Transceiver

### 8.4.2.1 CAN Transceiver Operation

The TCAN1043A-Q1 supports the ISO 11898-2:2016 CAN physical layer standard autonomous bus biasing scheme. Autonomous bus biasing enables the transceiver to switch between CAN active, CAN autonomous active, and CAN autonomous inactive which helps to reduce RF emissions.

#### 8.4.2.1.1 CAN Transceiver Modes

The TCAN1043A-Q1 CAN transceiver has four modes of operation; CAN off, CAN autonomous active, CAN autonomous inactive and CAN active.



1. Wake-up is inactive in normal or silent mode.
2. CAN transmitter is off in silent mode.

**Figure 8-10. TCAN1043A-Q1 CAN Transceiver State Machine**

#### 8.4.2.1.1.1 CAN Off Mode

In CAN off mode, the CAN transceiver is switched off and the CAN bus lines are truly floating. In this mode, the device presents no load to the CAN bus while preventing reverse currents from flowing into the device if the battery or ground connection is lost.

The CAN off state is entered if:

- $V_{SUP} < UV_{SUP(F)}$

The CAN transceiver switches between the CAN off state and CAN autonomous inactive mode if:

- $V_{SUP} > UV_{SUP(R)}$

#### 8.4.2.1.1.2 CAN Autonomous: Inactive and Active

When the CAN transceiver is in standby, go-to-sleep or sleep mode, the bias circuit can be in either the CAN autonomous inactive or CAN autonomous active state. In the autonomous inactive state, the CAN pins are biased to GND. When a remote wake-up (WUP) event occurs, the CAN bus is biased to 2.5 V and the CAN transceiver enters the CAN autonomous active state. If the controller does not transition the transceiver into normal mode before the  $t_{SILENCE}$  timer expires, the CAN transceiver enters the CAN autonomous inactive state.

The CAN transceiver switches to the CAN autonomous mode if any of the following conditions are met:

- The operating mode changes from CAN off mode to CAN autonomous inactive
- The operating mode changes from normal or silent mode to standby, go-to-sleep, or sleep mode:
  - If the bus was inactive for  $t < t_{SILENCE}$  before the mode change, the transceiver enters autonomous active state
  - If the bus was inactive for  $t > t_{SILENCE}$  before the mode change, the transceiver enters autonomous inactive state
- $V_{CC} < UV_{CC(F)}$
- $V_{IO} < UV_{IO(F)}$

The CAN transceiver switches from the CAN autonomous inactive mode to the CAN autonomous active mode if:

- A remote wake-up event occurs
- The transceiver transitions to normal or silent mode and  $V_{CC} < UV_{CC(F)}$  or  $V_{IO} < UV_{IO(F)}$

The CAN transceiver switches from the CAN autonomous active mode to the CAN autonomous inactive mode if:

- The transceiver is in standby, go-to-sleep, or sleep mode and  $t > t_{\text{SILENCE}}$

#### 8.4.2.1.1.3 CAN Active

When the transceiver is in normal or silent mode, the CAN transceiver is in active mode. In normal mode, the CAN driver and receiver are fully operational and CAN communication is bi-directional. In silent mode, the CAN driver is off but the CAN receiver is fully operational. The CAN bias voltage in CAN active mode is derived from  $V_{CC}$  and is held at  $V_{CC}/2$

The CAN transceiver switches from the CAN autonomous inactive or CAN autonomous active modes to the CAN active mode if:

- The transceiver transitions to normal mode and  $V_{CC} > UV_{CC(R)}$ ,  $V_{IO} > UV_{IO(R)}$

The CAN transceiver blocks its transmitter after entering CAN active mode if the TXD pin is asserted low before leaving standby mode. This prevents disruptions to CAN bus in the event that the TXD pin is stuck Low (TXDCLP).

The CAN transceiver switches from the CAN active mode to the CAN autonomous inactive mode if:

- The transceiver switches to standby, go-to-sleep, or sleep modes and  $t > t_{\text{SILENCE}}$

The CAN transceiver switches from the CAN active mode to the CAN autonomous active mode if:

- The transceiver switches to standby, go-to-sleep, or sleep modes and  $t < t_{\text{SILENCE}}$
- $V_{CC} < UV_{CC(F)}$
- $V_{IO} < UV_{IO(F)}$

#### 8.4.2.1.2 Driver and Receiver Function Tables

**Table 8-5. Driver Function Table**

DEVICE MODE	TXD INPUTS <sup>(1)</sup>	BUS OUTPUTS		DRIVEN BUS STATE <sup>(2)</sup>
		CANH	CANL	
Normal	Low	High	Low	Dominant
	High or Open	High impedance	High impedance	$V_{CC}/2$
Silent	x	High impedance	High impedance	$V_{CC}/2$
Standby	x	High impedance	High impedance	Autonomous biasing
Sleep	x	High impedance	High impedance	Autonomous biasing

(1) x = irrelevant

(2) For bus states and typical bus voltages see [Figure 8-11](#)

**Table 8-6. Receiver Function Table**

DEVICE MODE	CAN DIFFERENTIAL INPUTS $V_{ID} = V_{CANH} - V_{CANL}$	BUS STATE	RXD TERMINAL
Normal / Silent	$V_{ID} \geq 0.9 \text{ V}$	Dominant	Low
	$0.5 \text{ V} < V_{ID} < 0.9 \text{ V}$	Indeterminate	Indeterminate
	$V_{ID} \leq 0.5 \text{ V}$	Recessive	High
	Open ( $V_{ID} \approx 0 \text{ V}$ )	Open	High
Standby	$V_{ID} \geq 1.15 \text{ V}$	Dominant	High Low if wake-up event persists
	$0.4 \text{ V} < V_{ID} < 1.15 \text{ V}$	Indeterminate	
	$V_{ID} \leq 0.4$	Recessive	
	Open ( $V_{ID} \approx 0 \text{ V}$ )	Open	
Sleep / Go-to-sleep <sup>(1)</sup>	$V_{ID} \geq 1.15 \text{ V}$	Dominant	High Tri-state if $V_{IO}$ or $V_{SUP}$ are not present
	$0.4 \text{ V} < V_{ID} < 1.15 \text{ V}$	Indeterminate	
	$V_{ID} \leq 0.4 \text{ V}$	Recessive	
	Open ( $V_{ID} \approx 0 \text{ V}$ )	Open	

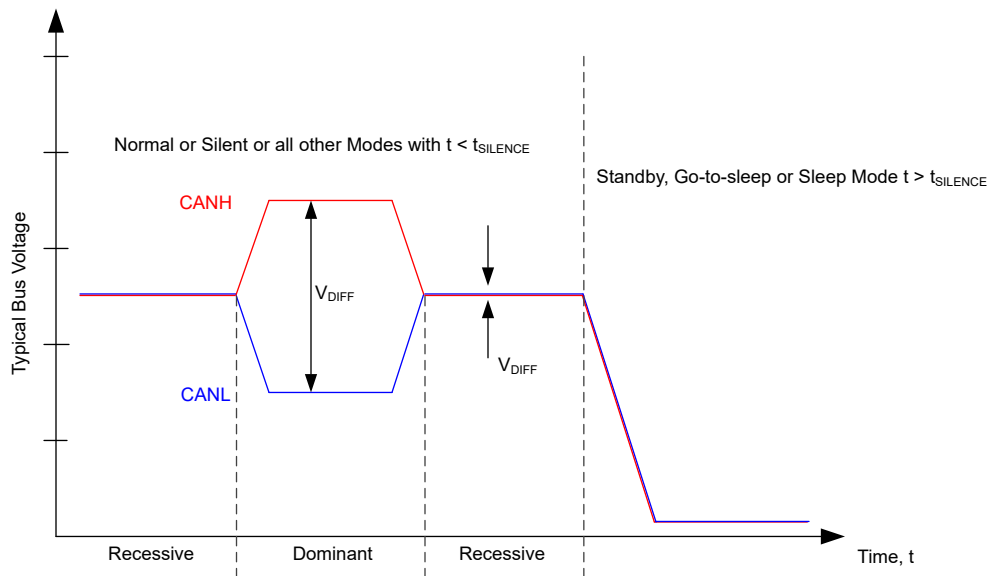
(1) Low power wake-up receiver is active

### 8.4.2.1.3 CAN Bus States

The CAN bus has two logical states during operation: recessive and dominant. See [Figure 8-11](#).

A dominant bus state occurs when the bus is driven differentially and corresponds to a logic low on the TXD and RXD pins. A recessive bus state occurs when the bus is biased to one half of the CAN transceiver supply voltage via the high resistance internal input resistors ( $R_{IN}$ ) of the receiver and corresponds to a logic high on the TXD and RXD pins.

A dominant state overwrites the recessive state during arbitration. Multiple CAN nodes may be transmitting a dominant bit at the same time during arbitration, and in this case the differential voltage of the CAN bus is greater than the differential voltage of a single CAN driver. The TCAN1043A-Q1 CAN transceiver implements low-power standby and sleep modes which enable a third bus state where, if the CAN bus is inactive for  $t > t_{SILENCE}$ , the bus pins are biased to ground via the high-resistance internal resistors of the receiver.



**Figure 8-11. Bus States**

## 9 Application Information Disclaimer

### Note

Information in the following applications sections is not part of the TI component specification, and TI does not warrant its accuracy or completeness. TI's customers are responsible for determining suitability of components for their purposes, as well as validating and testing their design implementation to confirm system functionality.

### 9.1 Application Information

The TCAN1043A-Q1 transceiver is typically used in applications with a host microprocessor or FPGA that includes the data link layer portion of the CAN protocol. These types of applications usually also include power management technology that allows for power to be gated to the application via an enable (EN) or inhibit (INH) pin. A single 5-V regulator can be used to drive both  $V_{CC}$  and  $V_{IO}$ , or independent 5-V and 3.3-V regulators can be used to drive  $V_{CC}$  and  $V_{IO}$  separately as shown in Figure 9-1. The bus termination is shown for illustrative purposes.

#### 9.1.1 Typical Application

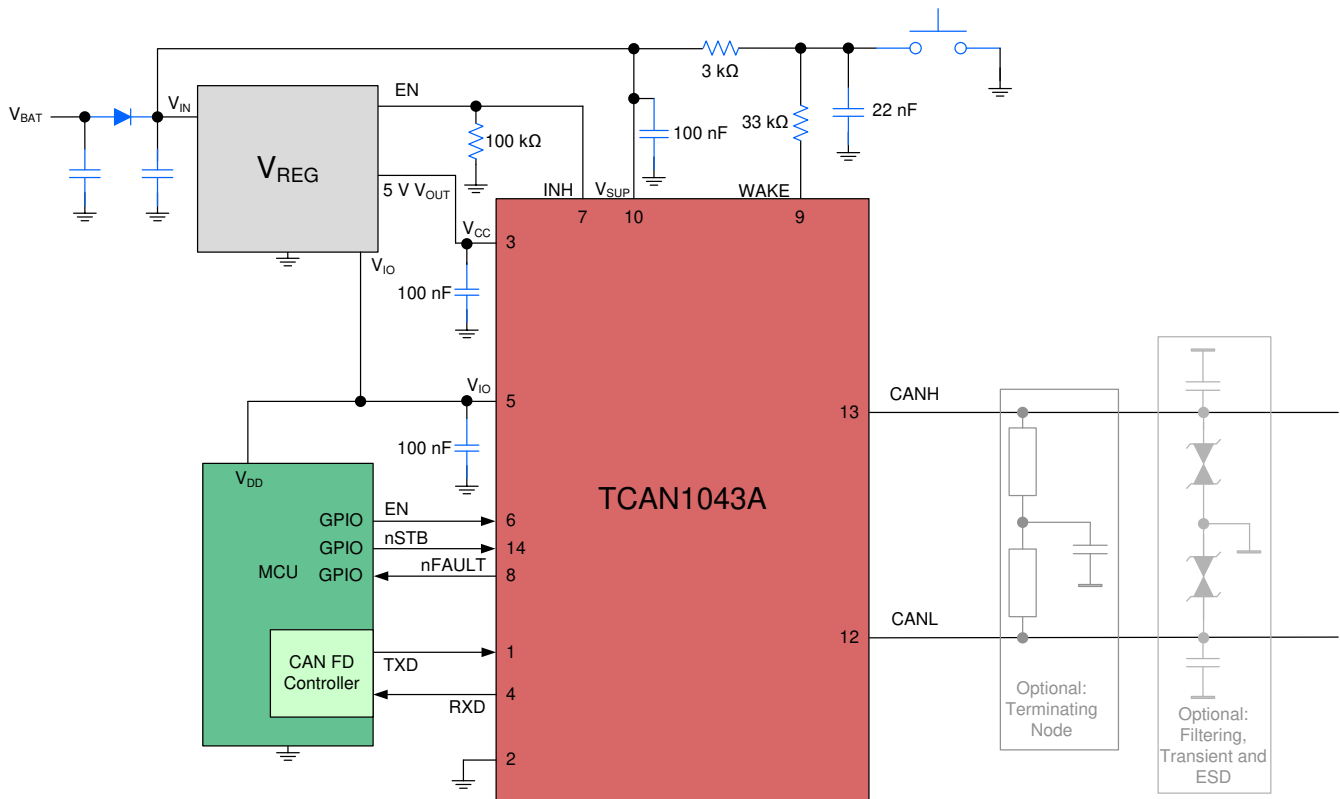


Figure 9-1. Typical Application

#### 9.1.2 Design Requirements

##### 9.1.2.1 Bus Loading, Length and Number of Nodes

A typical CAN application may have a maximum bus length of 40 meters and maximum stub length of 0.3 m. However, with careful design, users can have longer cables, longer stub lengths, and many more nodes to a bus. A high number of nodes requires a transceiver with high input impedance such as the TCAN1043A-Q1.

Many CAN organizations and standards have scaled the use of CAN for applications outside the original ISO11898-2:2016 standard. They made system level trade off decisions for data rate, cable length, and parasitic

loading of the bus. Examples of these CAN systems level specifications are ARINC825, CANopen, DeviceNet, SAEJ2284, SAEJ1939, and NMEA200.

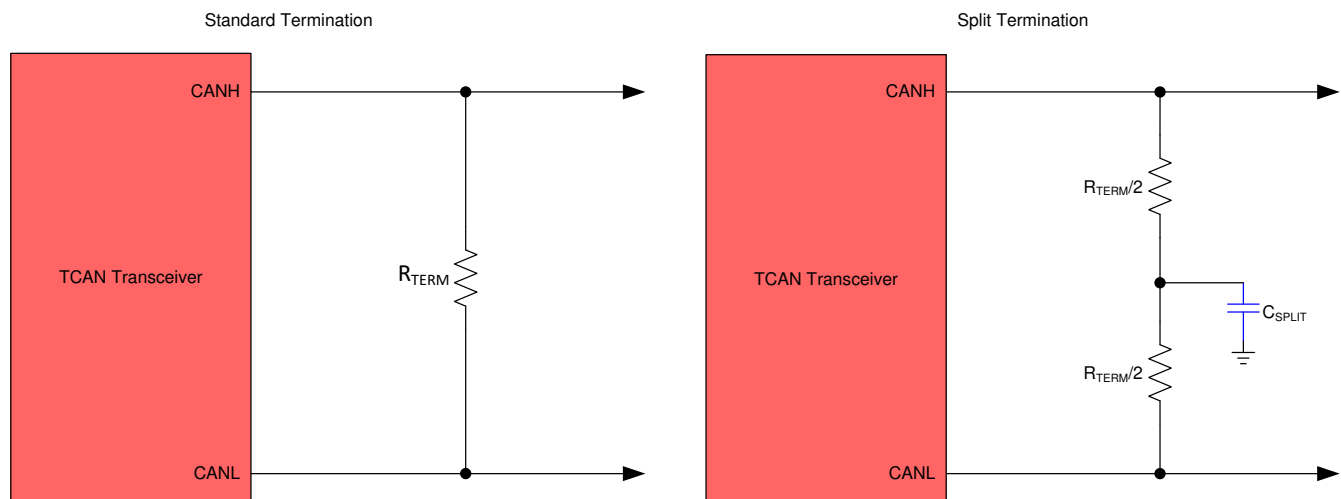
A CAN network system design is a series of tradeoffs. In the ISO 11898-2:2016 specification the differential output driver is specified with a bus load that can range from 50  $\Omega$  to 65  $\Omega$  where the differential output must be greater than 1.5 V. The TCAN1043A-Q1 is specified to meet the 1.5-V requirement down to 50  $\Omega$  and is specified to meet 1.4-V differential output at 45 $\Omega$  bus load. The differential input resistance,  $R_{ID}$ , of the TCAN1043A-Q1 is a minimum of 50 k $\Omega$ . If 100 TCAN1043A-Q1 transceivers are in parallel on a bus, this is equivalent to a 500- $\Omega$  differential load in parallel with the nominal 60  $\Omega$  bus termination which gives a total bus load of approximately 54  $\Omega$ . Therefore, the TCAN1043A-Q1 theoretically supports over 100 transceivers on a single bus segment. However, for CAN network design margin must be given for signal loss across the system and cabling, parasitic loadings, timing, network imbalances, ground offsets and signal integrity thus a practical maximum number of nodes is often lower. Bus length may also be extended beyond 40 meters by careful system design and data rate tradeoffs. For example, CANopen network design guidelines allow the network to be up to 1 km with changes in the termination resistance, cabling, less than 64 nodes and significantly lowered data rate.

This flexibility in CAN network design is one of its key strengths allowing for these system level network extensions and additional standards to build on the original ISO11898-2 CAN standard. However, when using this flexibility, the CAN network system designer must take the responsibility of good network design for a robust network operation.

### 9.1.3 Detailed Design Procedure

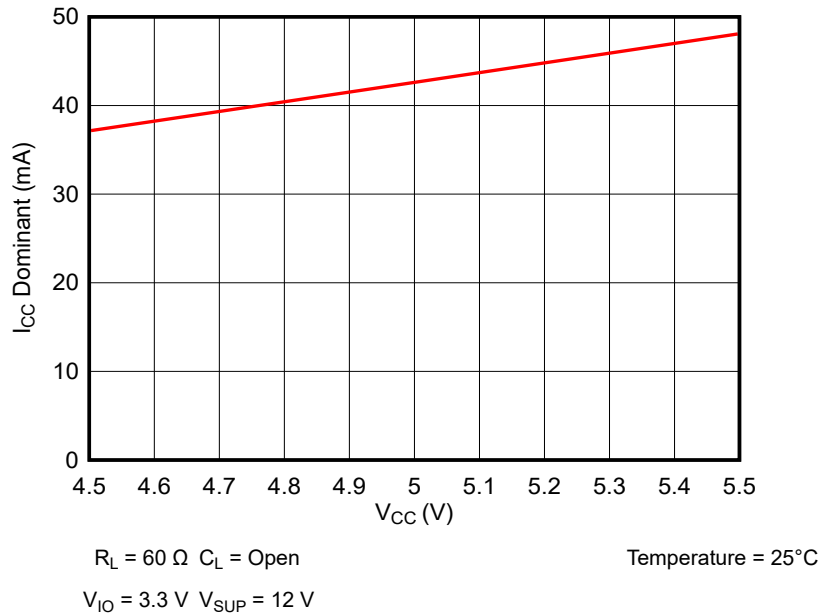
#### 9.1.3.1 CAN Termination

Termination may be a single 120- $\Omega$  resistor at each end of the bus, either on the cable or in a terminating node. If filtering and stabilization of the common-mode voltage of the bus is desired then split termination may be used, see [Figure 9-2](#). Split termination improves the electromagnetic emissions behavior of the network by filtering higher-frequency common-mode noise that may be present on the differential signal lines.



**Figure 9-2. CAN Bus Termination Concepts**

## 9.2 Application Curves



**Figure 9-3. I<sub>CC</sub> Dominant over I<sub>CC</sub> Supply Voltage**

## 10 Power Supply Recommendations

The TCAN1043A-Q1 is designed to operate off of three supply rails;  $V_{SUP}$ ,  $V_{CC}$ , and  $V_{IO}$ .  $V_{SUP}$  is a high-voltage supply pin designed to connect to the  $V_{BAT}$  rail,  $V_{CC}$  is a low-voltage supply pin with an input voltage range from 4.5 V to 5.5 V that supports the CAN transceiver and  $V_{IO}$  is a low-voltage supply pin with an input voltage range from 1.7 V to 5.5 V that provides the I/O voltage to match the system controller. For a reliable operation, a 100 nF decoupling capacitor should be placed as close to the supply pins as possible. This helps to reduce supply voltage ripple present on the output of switched-mode power supplies, and also helps to compensate for the resistance and inductance of the PCB power planes.

## 11 Layout

Robust and reliable CAN node design may require special layout techniques depending on the application and automotive design requirements. Since transient disturbances have high frequency content and a wide bandwidth, high-frequency layout techniques should be applied during PCB design.

### 11.1 Layout Guidelines

The layout example provides information on components around the device. Place the protection and filtering circuitry as close to the bus connector, J1, to prevent transients, ESD and noise from propagating onto the board. Transient voltage suppression (TVS) device can be added for extra protection, shown as D1. The production solution can be either a bi-directional TVS diode or varistor with ratings matching the application requirements. This example also shows optional bus filter capacitors C6 and C7. A series common-mode choke (CMC) is placed on the CANH and CANL lines between the device and connector J1.

Design the bus protection components in the direction of the signal path. Do not force the transient current to divert from the signal path to reach the protection device. Use supply and ground planes to provide low inductance. Note that high-frequency currents follow the path of least impedance and not the path of least resistance. Use at least two vias for supply and ground connections of bypass capacitors and protection devices to minimize trace and via inductance.

- Bypass and bulk capacitors should be placed as close as possible to the supply terminals of transceiver, examples are C1 on  $V_{CC}$ , C2 on  $V_{IO}$ , and C3 and C4 on the  $V_{SUP}$  supply.
- $V_{IO}$  pin of the transceiver is connected to the microcontroller IO supply voltage ' $\mu C V$ '.
- Bus termination: this layout example shows split termination. This is where the termination is split into two resistors, R3 and R4, with the center or split tap of the termination connected to ground via capacitor C5. Split termination provides common-mode filtering for the bus. When bus termination is placed on the board instead of directly on the bus, additional care must be taken to make sure the terminating node is not removed from the bus thus also removing the termination.
- INH, pin 7, can have a 100 k $\Omega$  resistor (R1) to ground.
- WAKE, pin 9, can recognize either a rising or a falling edge of a wake signal and is usually connected to an external switch. It should be configured as shown with C8 which is a 22 nF capacitor to GND where R5 is 33 k $\Omega$  and R6 is 3 k $\Omega$ .

### 11.2 Layout Example

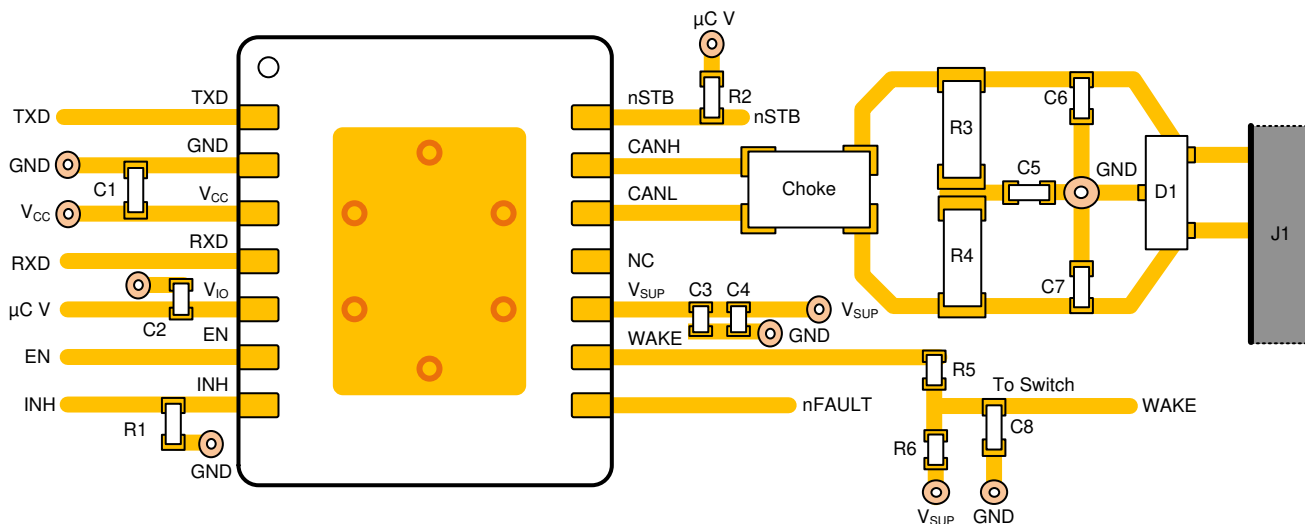


Figure 11-1. Example Layout



## 12 Device and Documentation Support

### 12.1 Documentation Support

### 12.2 Receiving Notification of Documentation Updates

To receive notification of documentation updates, navigate to the device product folder on [ti.com](http://ti.com). Click on *Subscribe to updates* to register and receive a weekly digest of any product information that has changed. For change details, review the revision history included in any revised document.

### 12.3 Support Resources

[TI E2E™ support forums](#) are an engineer's go-to source for fast, verified answers and design help — straight from the experts. Search existing answers or ask your own question to get the quick design help you need.

Linked content is provided "AS IS" by the respective contributors. They do not constitute TI specifications and do not necessarily reflect TI's views; see TI's [Terms of Use](#).

### 12.4 Trademarks

TI E2E™ is a trademark of Texas Instruments.  
All trademarks are the property of their respective owners.

### 12.5 Electrostatic Discharge Caution



This integrated circuit can be damaged by ESD. Texas Instruments recommends that all integrated circuits be handled with appropriate precautions. Failure to observe proper handling and installation procedures can cause damage.

ESD damage can range from subtle performance degradation to complete device failure. Precision integrated circuits may be more susceptible to damage because very small parametric changes could cause the device not to meet its published specifications.

### 12.6 Glossary

[TI Glossary](#) This glossary lists and explains terms, acronyms, and definitions.

## 13 Mechanical, Packaging, and Orderable Information

The following pages include mechanical, packaging, and orderable information. This information is the most current data available for the designated devices. This data is subject to change without notice and revision of this document. For browser-based versions of this data sheet, refer to the left-hand navigation.

**PACKAGING INFORMATION**

Orderable Device	Status (1)	Package Type	Package Drawing	Pins	Package Qty	Eco Plan (2)	Lead finish/ Ball material (6)	MSL Peak Temp (3)	Op Temp (°C)	Device Marking (4/5)	Samples
TCAN1043ADMTRQ1	ACTIVE	VSON	DMT	14	3000	RoHS & Green	NIPDAU	Level-2-260C-1 YEAR	-40 to 150	TCAN 1043A	<a href="#">Samples</a>
TCAN1043ADRQ1	ACTIVE	SOIC	D	14	2500	RoHS & Green	NIPDAU	Level-1-260C-UNLIM	-40 to 150	TCAN1043A	<a href="#">Samples</a>
TCAN1043ADYYRQ1	ACTIVE	SOT-23-THIN	DYY	14	3000	RoHS & Green	NIPDAU	Level-1-260C-UNLIM	-40 to 150	TCAN1043A	<a href="#">Samples</a>
TCAN1043ATDMTRQ1	ACTIVE	VSON	DMT	14	3000	RoHS & Green	NIPDAU	Level-2-260C-1 YEAR	-40 to 150	TCAN 043AT	<a href="#">Samples</a>
TCAN1043ATDRQ1	ACTIVE	SOIC	D	14	2500	RoHS & Green	NIPDAU	Level-1-260C-UNLIM	-40 to 150	TCAN1043AT	<a href="#">Samples</a>

(1) The marketing status values are defined as follows:

**ACTIVE:** Product device recommended for new designs.

**LIFEBUY:** TI has announced that the device will be discontinued, and a lifetime-buy period is in effect.

**NRND:** Not recommended for new designs. Device is in production to support existing customers, but TI does not recommend using this part in a new design.

**PREVIEW:** Device has been announced but is not in production. Samples may or may not be available.

**OBSELETE:** TI has discontinued the production of the device.

(2) **RoHS:** TI defines "RoHS" to mean semiconductor products that are compliant with the current EU RoHS requirements for all 10 RoHS substances, including the requirement that RoHS substance do not exceed 0.1% by weight in homogeneous materials. Where designed to be soldered at high temperatures, "RoHS" products are suitable for use in specified lead-free processes. TI may reference these types of products as "Pb-Free".

**RoHS Exempt:** TI defines "RoHS Exempt" to mean products that contain lead but are compliant with EU RoHS pursuant to a specific EU RoHS exemption.

**Green:** TI defines "Green" to mean the content of Chlorine (Cl) and Bromine (Br) based flame retardants meet JS709B low halogen requirements of <=1000ppm threshold. Antimony trioxide based flame retardants must also meet the <=1000ppm threshold requirement.

(3) MSL, Peak Temp. - The Moisture Sensitivity Level rating according to the JEDEC industry standard classifications, and peak solder temperature.

(4) There may be additional marking, which relates to the logo, the lot trace code information, or the environmental category on the device.

(5) Multiple Device Markings will be inside parentheses. Only one Device Marking contained in parentheses and separated by a "~" will appear on a device. If a line is indented then it is a continuation of the previous line and the two combined represent the entire Device Marking for that device.

(6) Lead finish/Ball material - Orderable Devices may have multiple material finish options. Finish options are separated by a vertical ruled line. Lead finish/Ball material values may wrap to two lines if the finish value exceeds the maximum column width.

**Important Information and Disclaimer:** The information provided on this page represents TI's knowledge and belief as of the date that it is provided. TI bases its knowledge and belief on information provided by third parties, and makes no representation or warranty as to the accuracy of such information. Efforts are underway to better integrate information from third parties. TI has taken and continues to take reasonable steps to provide representative and accurate information but may not have conducted destructive testing or chemical analysis on incoming materials and chemicals. TI and TI suppliers consider certain information to be proprietary, and thus CAS numbers and other limited information may not be available for release.

In no event shall TI's liability arising out of such information exceed the total purchase price of the TI part(s) at issue in this document sold by TI to Customer on an annual basis.

**TAPE AND REEL INFORMATION**

**QUADRANT ASSIGNMENTS FOR PIN 1 ORIENTATION IN TAPE**

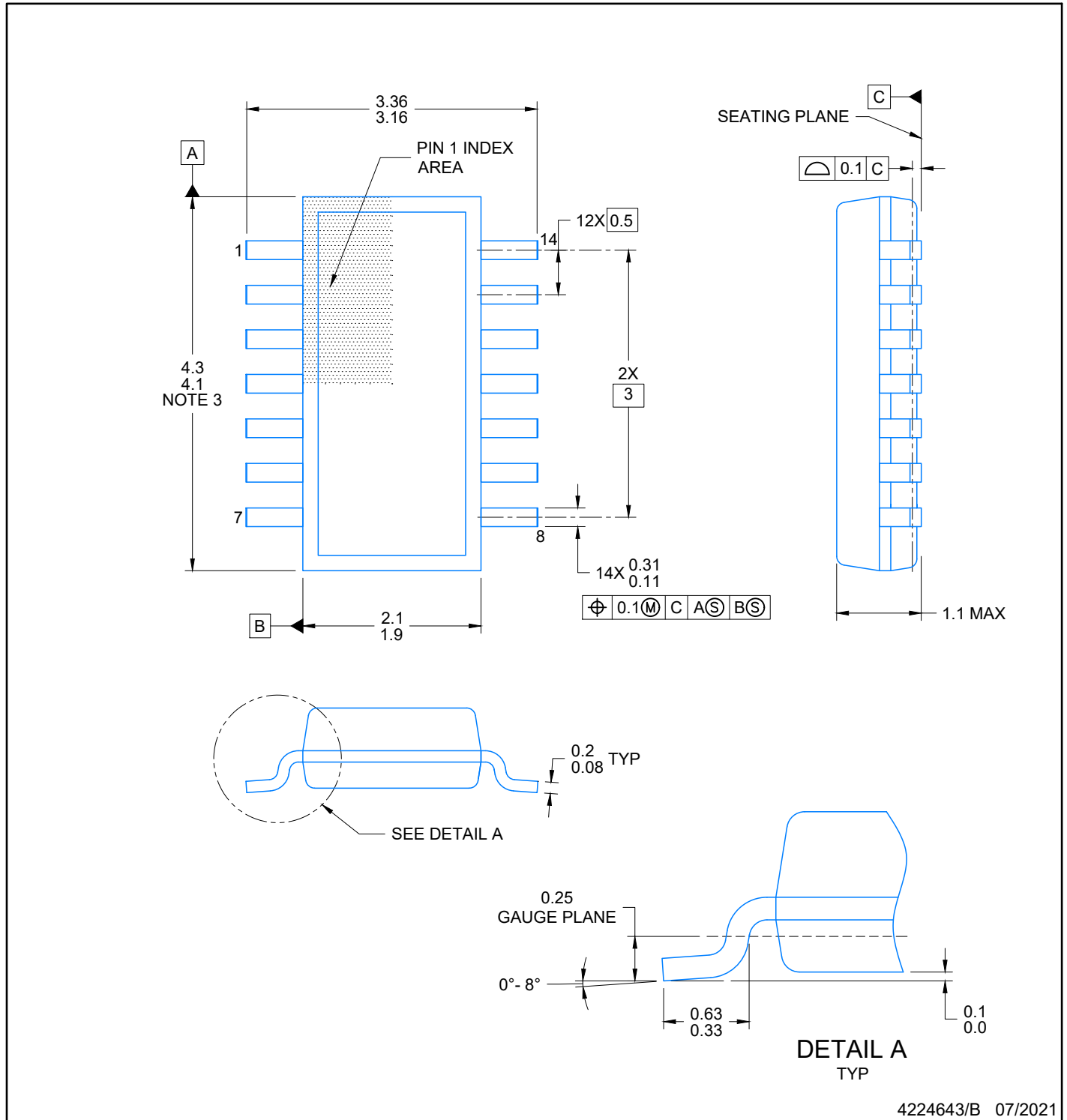

\*All dimensions are nominal

Device	Package Type	Package Drawing	Pins	SPQ	Reel Diameter (mm)	Reel Width W1 (mm)	A0 (mm)	B0 (mm)	K0 (mm)	P1 (mm)	W (mm)	Pin1 Quadrant
TCAN1043ADMTRQ1	VSON	DMT	14	3000	330.0	12.4	3.3	4.8	1.2	8.0	12.0	Q1
TCAN1043ADRQ1	SOIC	D	14	2500	330.0	16.4	6.5	9.0	2.1	8.0	16.0	Q1
TCAN1043ADYYRQ1	SOT-23-THIN	DYY	14	3000	330.0	12.4	4.8	3.6	1.6	8.0	12.0	Q3
TCAN1043ATDMTRQ1	VSON	DMT	14	3000	330.0	12.4	3.3	4.8	1.2	8.0	12.0	Q1
TCAN1043ATDRQ1	SOIC	D	14	2500	330.0	16.4	6.5	9.0	2.1	8.0	16.0	Q1

**TAPE AND REEL BOX DIMENSIONS**


\*All dimensions are nominal

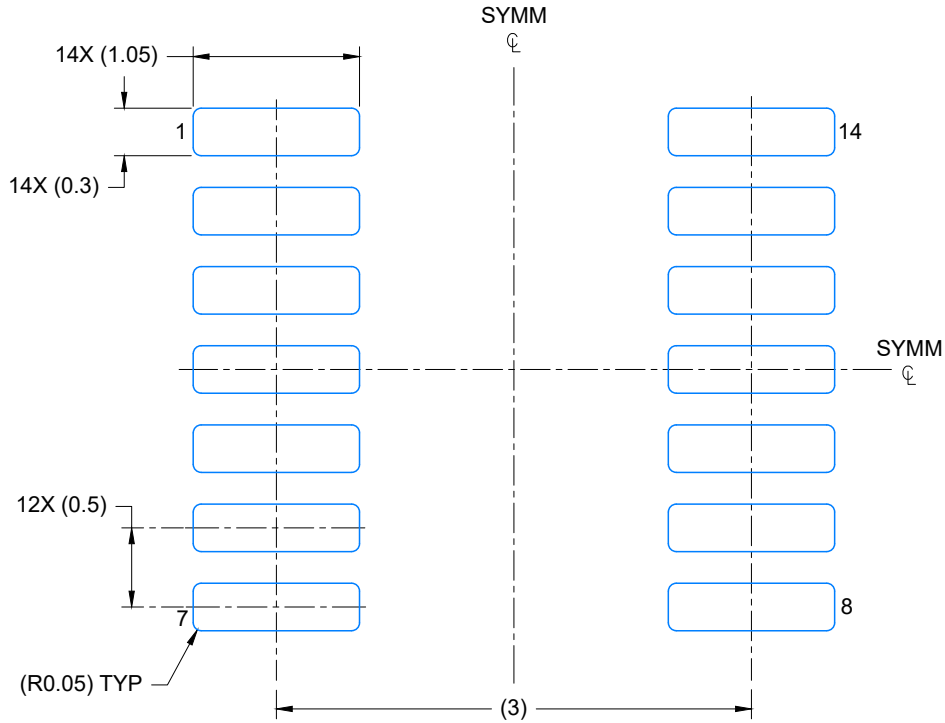
Device	Package Type	Package Drawing	Pins	SPQ	Length (mm)	Width (mm)	Height (mm)
TCAN1043ADMTRQ1	VSON	DMT	14	3000	367.0	367.0	35.0
TCAN1043ADRQ1	SOIC	D	14	2500	356.0	356.0	35.0
TCAN1043ADYYRQ1	SOT-23-THIN	DYY	14	3000	336.6	336.6	31.8
TCAN1043ATDMTRQ1	VSON	DMT	14	3000	367.0	367.0	35.0
TCAN1043ATDRQ1	SOIC	D	14	2500	356.0	356.0	35.0



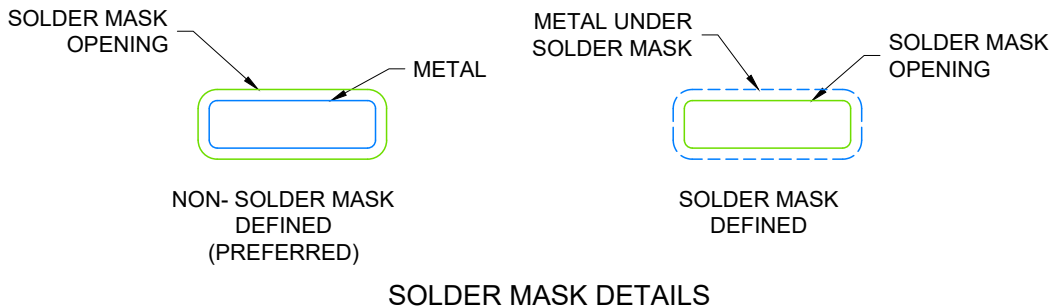
4224643/B 07/2021

**NOTES:**

1. All linear dimensions are in millimeters. Any dimensions in parenthesis are for reference only. Dimensioning and tolerancing per ASME Y14.5M.
2. This drawing is subject to change without notice.
3. This dimension does not include mold flash, protrusions, or gate burrs. Mold flash, protrusions, or gate burrs shall not exceed 0.15 per side.
4. This dimension does not include interlead flash. Interlead flash shall not exceed 0.50 per side.
5. Reference JEDEC Registration MO-345, Variation AB



LAND PATTERN EXAMPLE  
EXPOSED METAL SHOWN  
SCALE: 20X

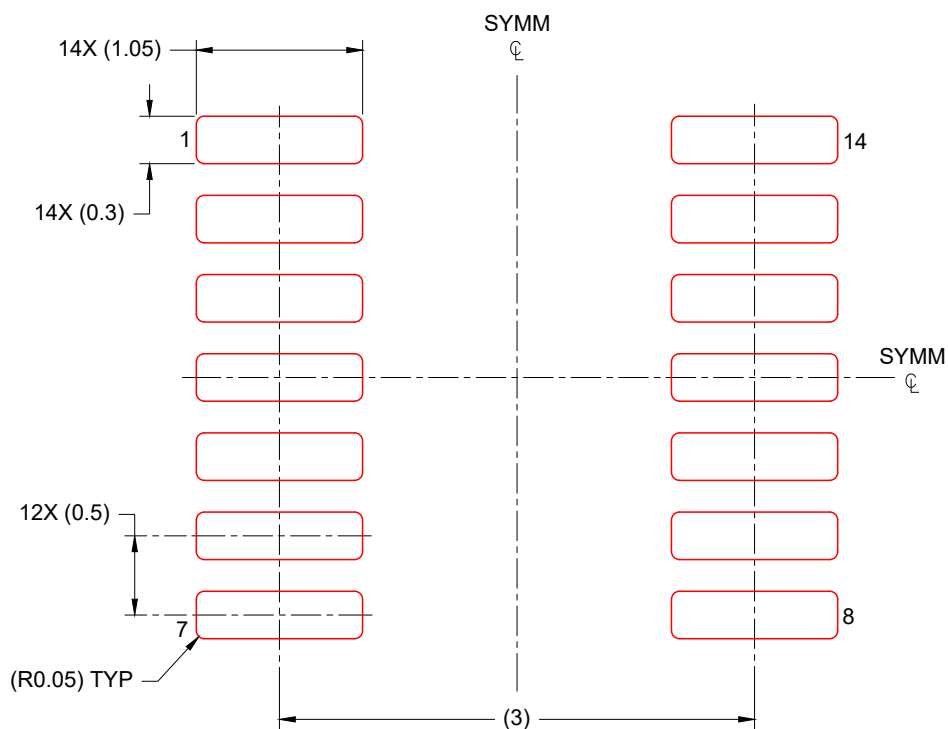


SOLDER MASK DETAILS

4224643/B 07/2021

NOTES: (continued)

- 6. Publication IPC-7351 may have alternate designs.
- 7. Solder mask tolerances between and around signal pads can vary based on board fabrication site.



**SOLDER PASTE EXAMPLE**  
 BASED ON 0.125 mm THICK STENCIL  
 SCALE: 20X

4224643/B 07/2021

NOTES: (continued)

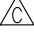

- 8. Laser cutting apertures with trapezoidal walls and rounded corners may offer better paste release. IPC-7525 may have alternate design recommendations.
- 9. Board assembly site may have different recommendations for stencil design.



D (R-PDSO-G14)

PLASTIC SMALL OUTLINE



- NOTES:
- A. All linear dimensions are in inches (millimeters).
  - B. This drawing is subject to change without notice.
  -  Body length does not include mold flash, protrusions, or gate burrs. Mold flash, protrusions, or gate burrs shall not exceed 0.006 (0,15) each side.
  -  Body width does not include interlead flash. Interlead flash shall not exceed 0.017 (0,43) each side.
  - E. Reference JEDEC MS-012 variation AB.

D (R-PDSO-G14)

PLASTIC SMALL OUTLINE



4211283-3/E 08/12

- NOTES:
- All linear dimensions are in millimeters.
  - This drawing is subject to change without notice.
  - Publication IPC-7351 is recommended for alternate designs.
  - Laser cutting apertures with trapezoidal walls and also rounding corners will offer better paste release. Customers should contact their board assembly site for stencil design recommendations. Refer to IPC-7525 for other stencil recommendations.
  - Customers should contact their board fabrication site for solder mask tolerances between and around signal pads.

## GENERIC PACKAGE VIEW

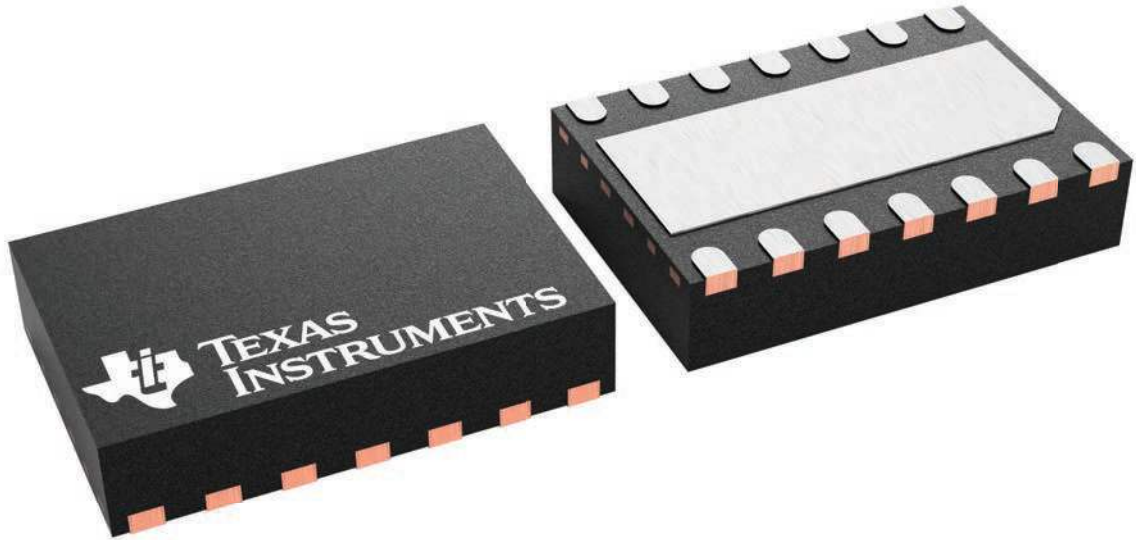
**DMT 14**

**VSON - 0.9 mm max height**

3 x 4.5, 0.65 mm pitch

PLASTIC SMALL OUTLINE - NO LEAD

This image is a representation of the package family, actual package may vary.  
Refer to the product data sheet for package details.



4225088/A

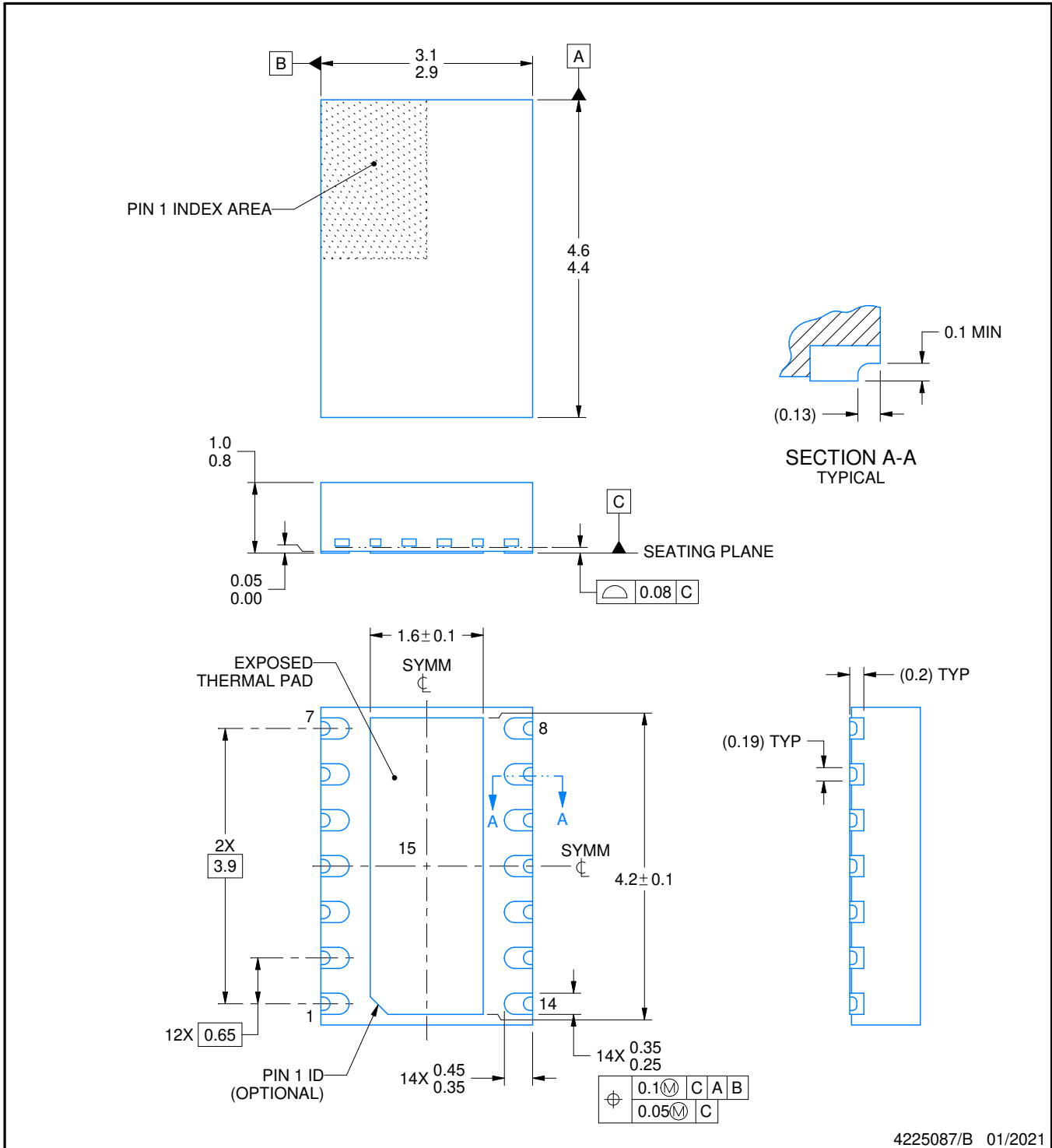
# DMT0014B



# PACKAGE OUTLINE

## VSON - 1 mm max height

PLASTIC SMALL OUTLINE - NO LEAD



4225087/B 01/2021

**NOTES:**

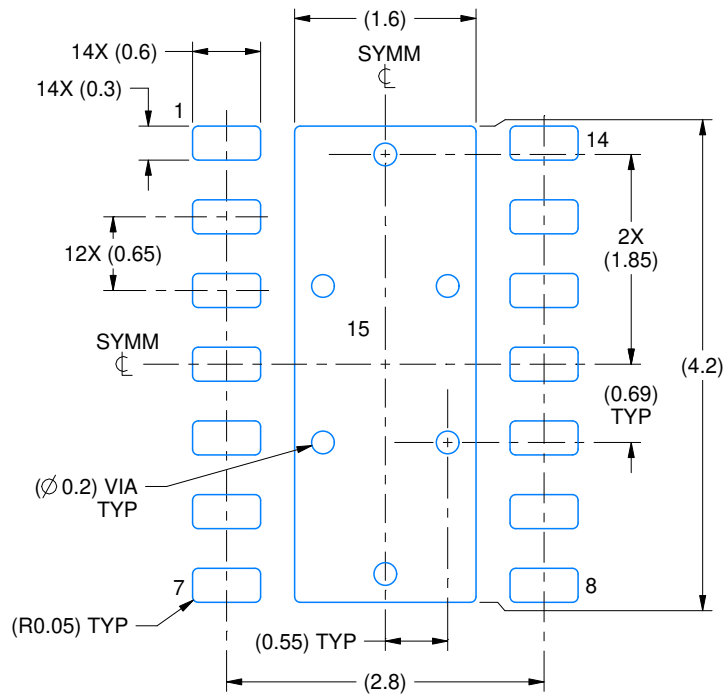
1. All linear dimensions are in millimeters. Any dimensions in parenthesis are for reference only. Dimensioning and tolerancing per ASME Y14.5M.
2. This drawing is subject to change without notice.
3. The package thermal pad must be soldered to the printed circuit board for thermal and mechanical performance.

# EXAMPLE BOARD LAYOUT

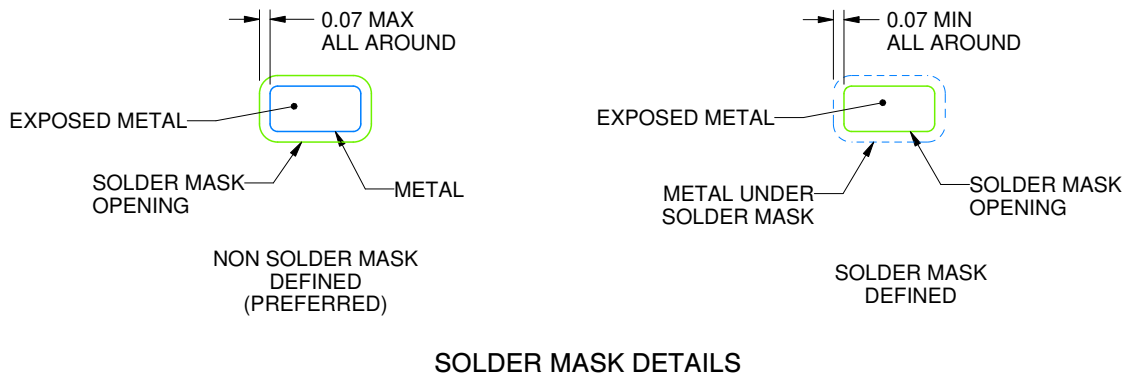
DMT0014B

VSON - 1 mm max height

PLASTIC SMALL OUTLINE - NO LEAD



LAND PATTERN EXAMPLE  
EXPOSED METAL SHOWN  
SCALE:15X



SOLDER MASK DETAILS

4225087/B 01/2021

NOTES: (continued)

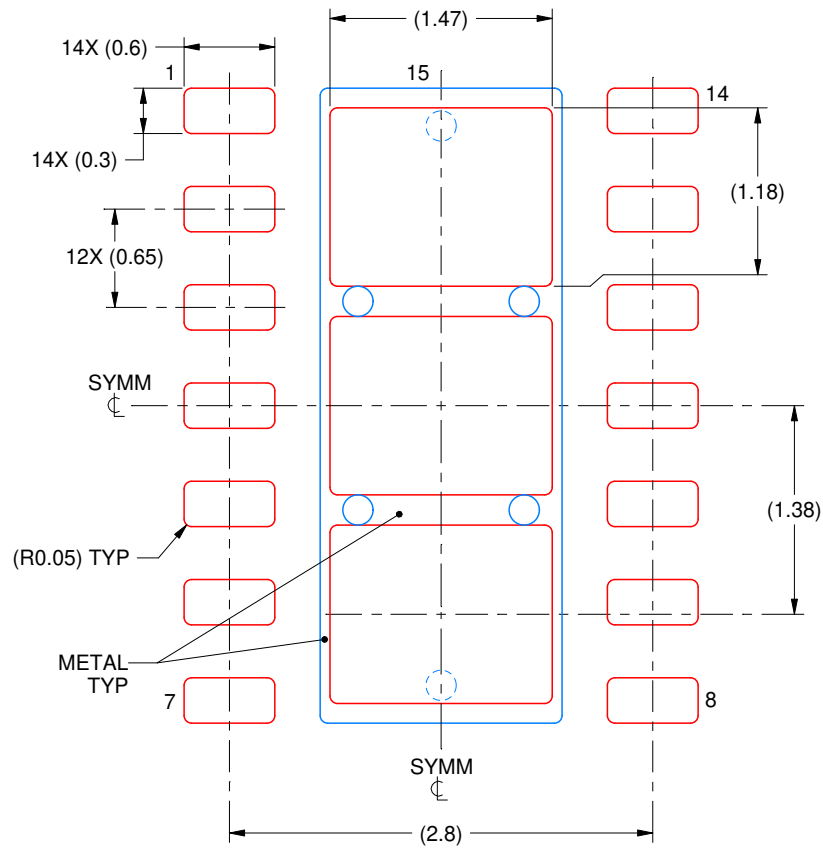
4. This package is designed to be soldered to a thermal pad on the board. For more information, see Texas Instruments literature number SLUA271 ([www.ti.com/lit/slua271](http://www.ti.com/lit/slua271)).
5. Vias are optional depending on application, refer to device data sheet. If any vias are implemented, refer to their locations shown on this view. It is recommended that vias under paste be filled, plugged or tented.

# EXAMPLE STENCIL DESIGN

DMT0014B

VSON - 1 mm max height

PLASTIC SMALL OUTLINE - NO LEAD



SOLDER PASTE EXAMPLE  
BASED ON 0.125 mm THICK STENCIL  
EXPOSED PAD 15  
77.4% PRINTED SOLDER COVERAGE BY AREA  
SCALE:20X

4225087/B 01/2021

NOTES: (continued)

6. Laser cutting apertures with trapezoidal walls and rounded corners may offer better paste release. IPC-7525 may have alternate design recommendations.

## IMPORTANT NOTICE AND DISCLAIMER

TI PROVIDES TECHNICAL AND RELIABILITY DATA (INCLUDING DATA SHEETS), DESIGN RESOURCES (INCLUDING REFERENCE DESIGNS), APPLICATION OR OTHER DESIGN ADVICE, WEB TOOLS, SAFETY INFORMATION, AND OTHER RESOURCES "AS IS" AND WITH ALL FAULTS, AND DISCLAIMS ALL WARRANTIES, EXPRESS AND IMPLIED, INCLUDING WITHOUT LIMITATION ANY IMPLIED WARRANTIES OF MERCHANTABILITY, FITNESS FOR A PARTICULAR PURPOSE OR NON-INFRINGEMENT OF THIRD PARTY INTELLECTUAL PROPERTY RIGHTS.

These resources are intended for skilled developers designing with TI products. You are solely responsible for (1) selecting the appropriate TI products for your application, (2) designing, validating and testing your application, and (3) ensuring your application meets applicable standards, and any other safety, security, regulatory or other requirements.

These resources are subject to change without notice. TI grants you permission to use these resources only for development of an application that uses the TI products described in the resource. Other reproduction and display of these resources is prohibited. No license is granted to any other TI intellectual property right or to any third party intellectual property right. TI disclaims responsibility for, and you will fully indemnify TI and its representatives against, any claims, damages, costs, losses, and liabilities arising out of your use of these resources.

TI's products are provided subject to [TI's Terms of Sale](#) or other applicable terms available either on [ti.com](https://www.ti.com) or provided in conjunction with such TI products. TI's provision of these resources does not expand or otherwise alter TI's applicable warranties or warranty disclaimers for TI products.

TI objects to and rejects any additional or different terms you may have proposed.

Mailing Address: Texas Instruments, Post Office Box 655303, Dallas, Texas 75265  
Copyright © 2023, Texas Instruments Incorporated