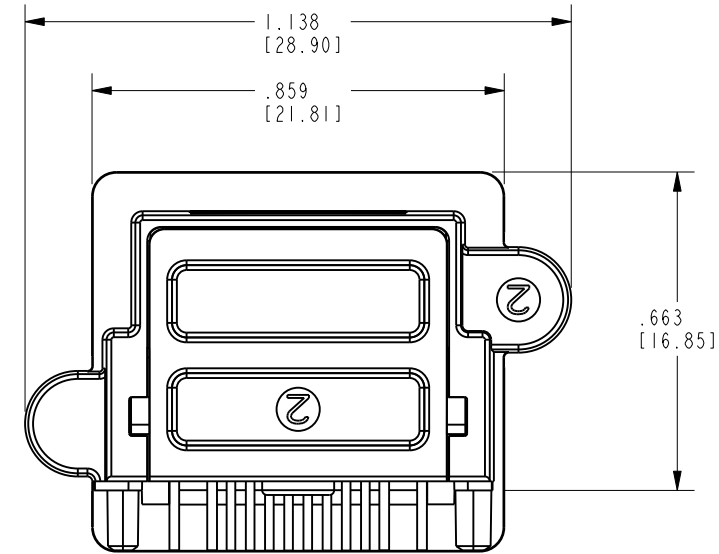
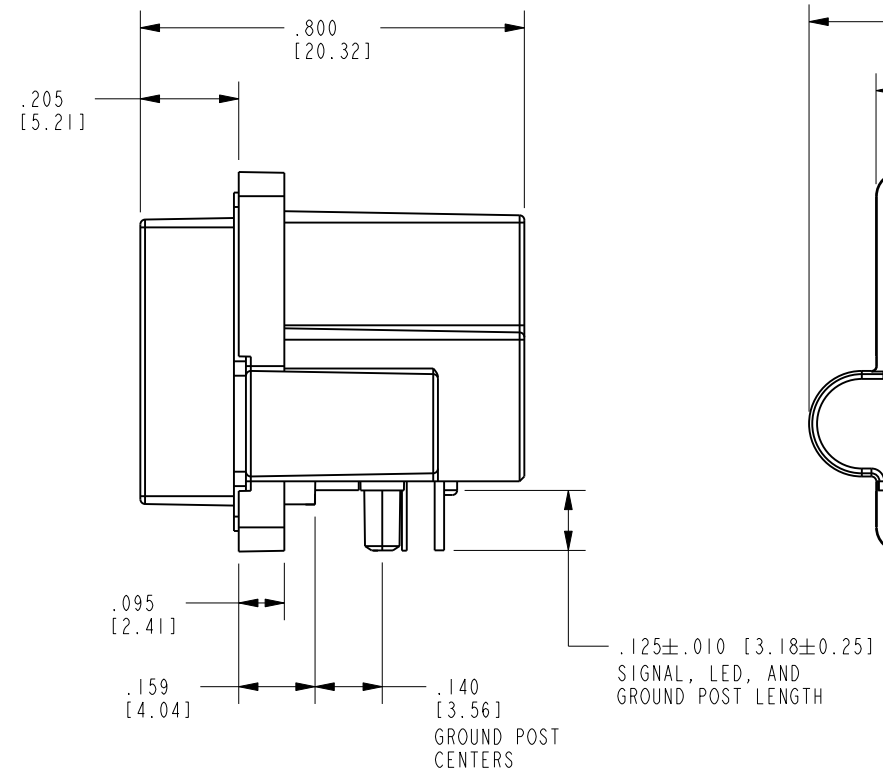
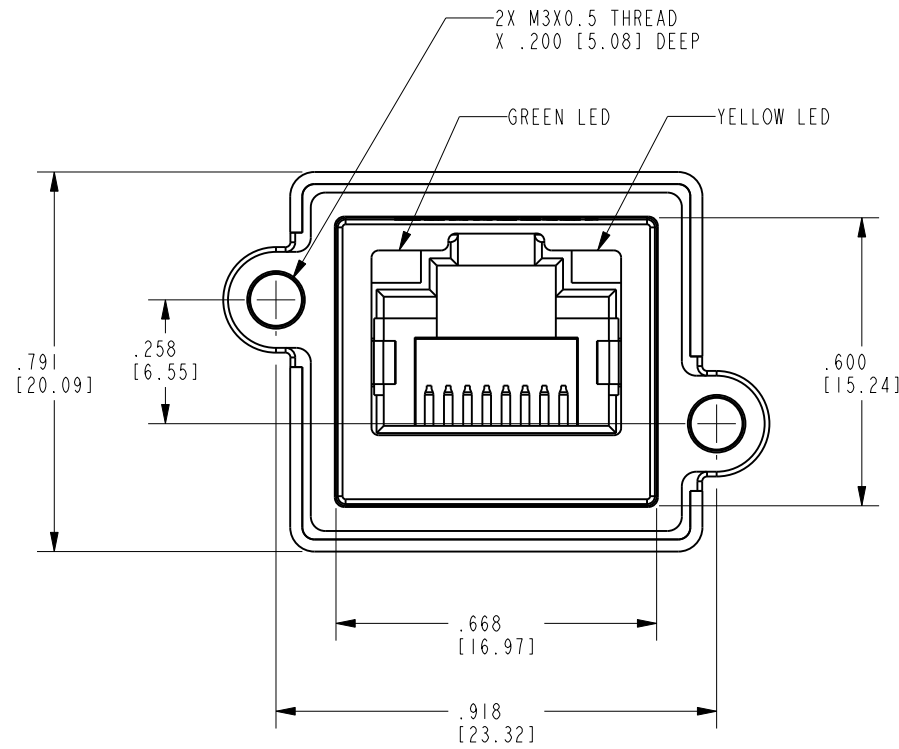
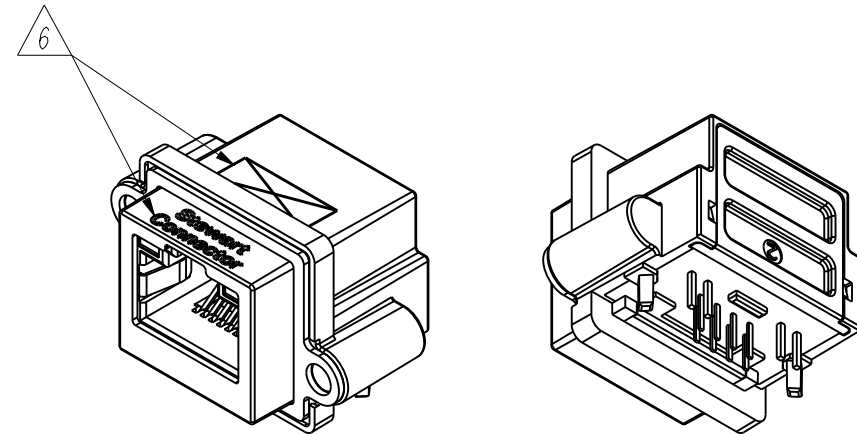
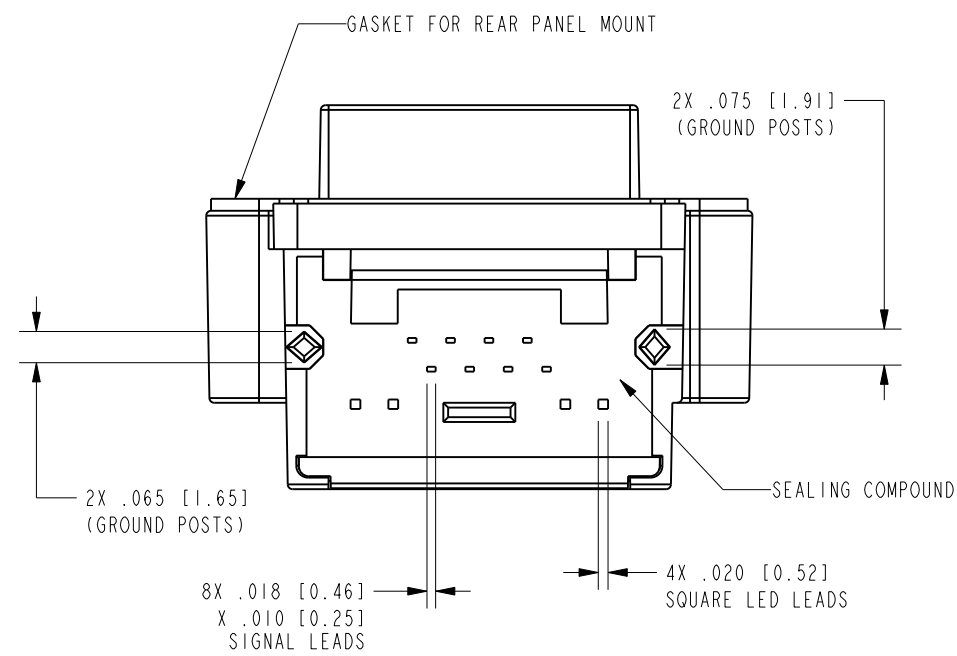


DATE	REV.	ECN	APP'D BY
12-18-17	X0	-	DHG
04-06-20	A0	-	ADB



- NOTES:
- CONNECTOR MATERIALS:
HOUSING/INSERT: THERMOPLASTIC UL94 V-0
SHIELDS: ZINC DIE-CAST ALLOY
SHIELD PLATING: TIN OVER COPPER
CONTACTS AND GROUND SPRINGS: COPPER ALLOY
CONTACT PLATING: SEE TABLE BELOW
GROUND SPRING PLATING: NICKEL
GASKET: SILICONE RUBBER
SILICONE SEALING COMPOUND IN REAR OF JACK
 - PRODUCT INTENDED FOR CATEGORY 6 APPLICATIONS.
 - DIMENSIONS AND TOLERANCES COMPLY WITH TIA-1096 STANDARD.
 - REFERENCE PRODUCT SPECIFICATION PR042-01.
 - ENVIRONMENTAL PERFORMANCE PER IEC 60529 CODE IP67, FOR CONNECTOR AND PANEL INTERFACE. REFER TO INSTRUCTION SHEET MN600001 FOR INSTALLATION GUIDELINES.
- △ PRODUCT MARKED WITH COMPANY LOGO, PART NUMBER, AND MANUFACTURING DATE / LOCATION IN AREAS AS SHOWN.



50 MICRO-INCHES [1.27um]	SS-60400-022
CONTACT PLATING IN MATING AREA	PART NUMBER

THIRD ANGLE PROJECTION

DO NOT SCALE DRAWING
DRAWING IS SUBJECT TO CHANGE WITHOUT NOTICE

DIMENSIONS: INCHES [METRIC]

UNLESS OTHERWISE SPECIFIED TOLERANCES ARE ±.005 [0.13] ANGLES ARE ±1°

SHEET NO. 1 OF 2

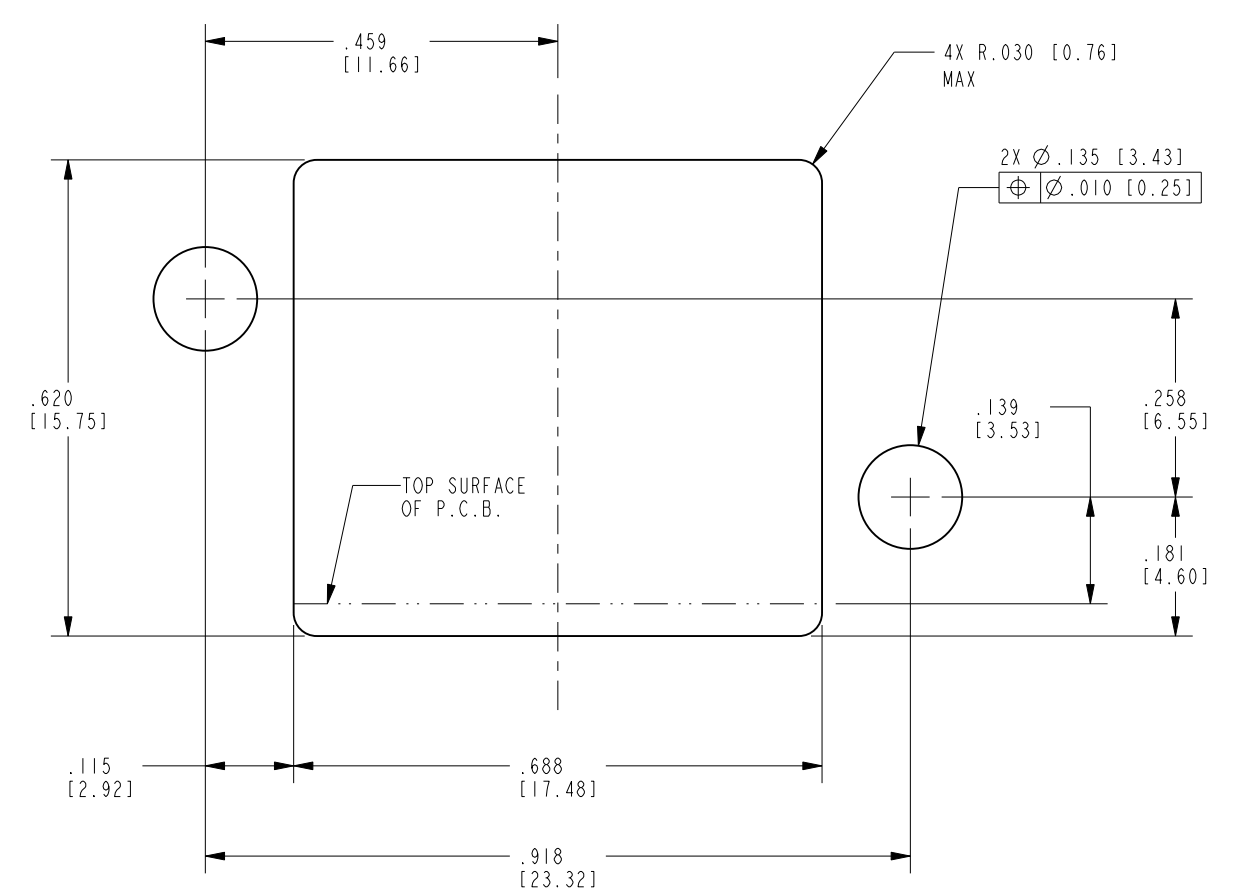
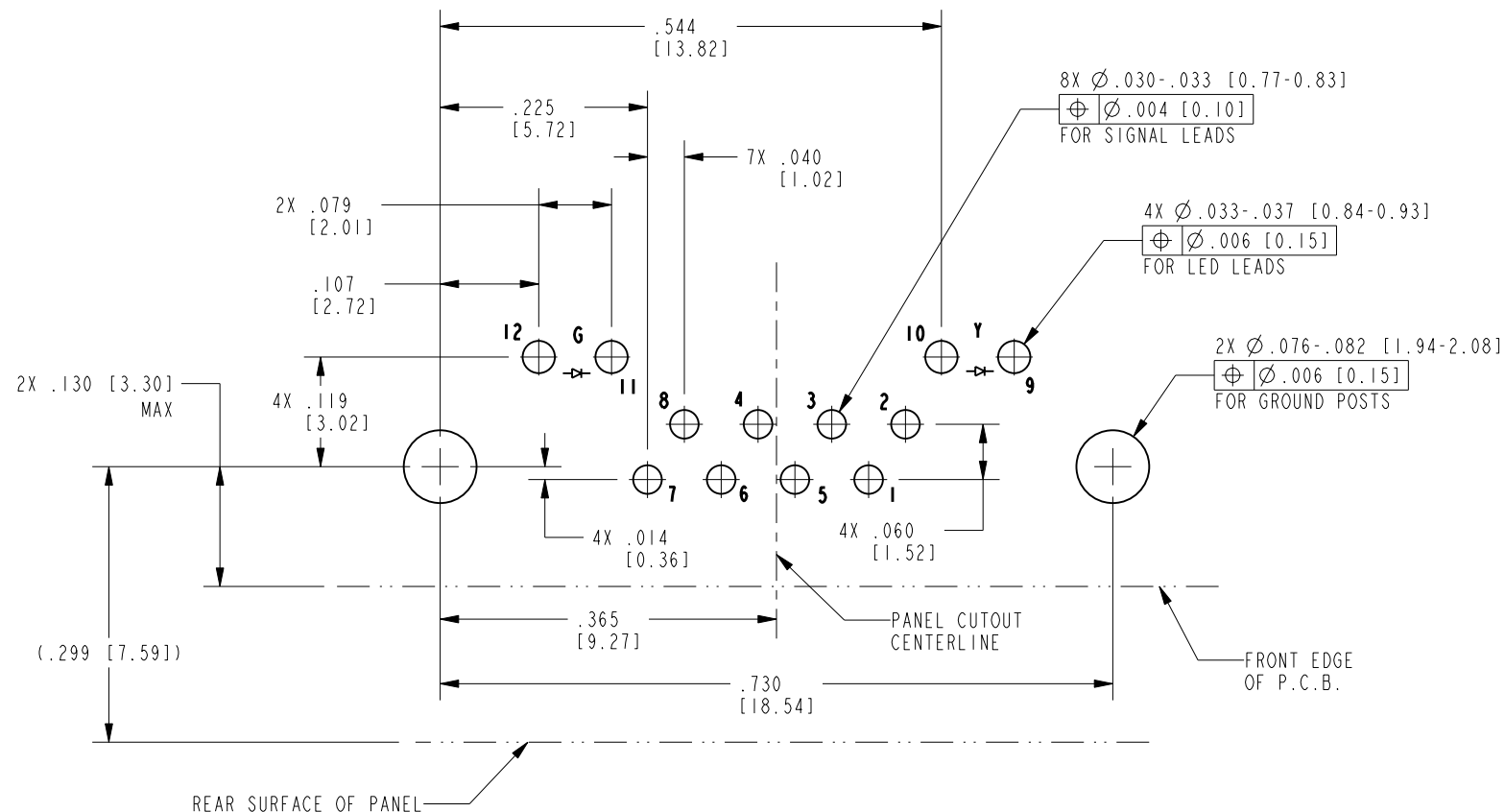
stewart
CONNECTOR
a bel group

11118 Susquehanna Trail South
Glen Rock, PA 17327-9199
(717) 235-7512
<http://www.stewartconnector.com>

TITLE: RIGHT ANGLE CAT 6 SEALJACK WITH LEDS AND M3X0.5 THREADS

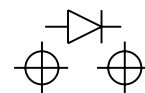
DRN BY: ADB	DATE: 12-12-17
APPD BY: DHG	DATE: 12-18-17
DWG. NO. CT600199	REV. A0





RECOMMENDED P.C.B. LAYOUT
(COMPONENT SIDE OF BOARD)
SCALE 5.000
ALL CENTERLINE DIMENSIONS ARE BASIC

LED POLARITY
(ENLARGED VIEW)

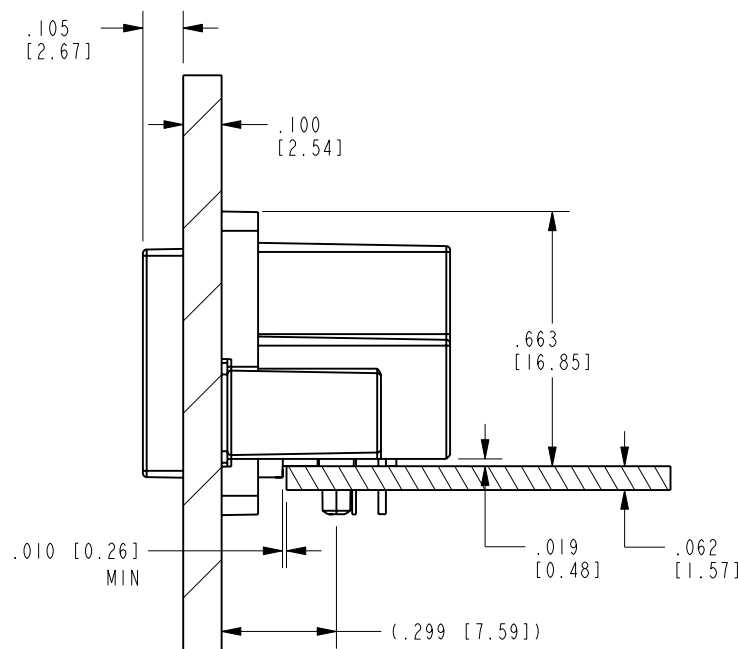


LED SPECIFICATION			
STANDARD LED	WAVELENGTH	FORWARD V (MAX)	*(TYP)
GREEN	565 nm	2.5 V	2.2 V
YELLOW	590 nm	2.5 V	2.1 V

*WITH A FORWARD CURRENT OF 20mA (TYP)

RECOMMENDED PANEL CUTOUT
(FRONT OF PANEL)
SCALE 4.000
ALL CENTERLINE DIMENSIONS ARE BASIC

NOTES:
1. IF MOUNTING MULTIPLE CONNECTORS SIDE-BY-SIDE, THE SUGGESTED MINIMUM SPACING (PITCH) IS AT LEAST 1.02 INCHES [26 mm].



SIDE VIEW - SHOWN WITH .100" PANEL AND .062" P.C.B. FOR REFERENCE ONLY
SCALE: 2.000
(SHOWN WITH GASKET IN FULLY COMPRESSED STATE)



THIRD ANGLE PROJECTION 	 stewart CONNECTOR a bel group	11118 Susquehanna Trail South Glen Rock, PA 17327-9199 (717) 235-7512 http://www.stewartconnector.com
DO NOT SCALE DRAWING DRAWING IS SUBJECT TO CHANGE WITHOUT NOTICE	TITLE: RIGHT ANGLE CAT 6 SEALJACK WITH LEDS AND M3X0.5 THREADS	
DIMENSIONS: INCHES [METRIC]	THIS DRAWING AND THE SUBJECT MATTER SHOWN THEREON ARE CONFIDENTIAL AND THE PROPRIETARY PROPERTY OF STEWART CONNECTOR AND SHALL NOT BE REPRODUCED, COPIED, OR USED IN ANY MANNER WITHOUT PRIOR WRITTEN CONSENT OF STEWART CONNECTOR. ONE OR MORE U.S. PATENTS MAY APPLY TO THIS PRODUCT. FOR DETAILS, PLEASE VISIT: HTTP://BELFUSE.COM/STEWART/STEWART_PATENTS/	DRN BY: ADB DATE 12-12-17
UNLESS OTHERWISE SPECIFIED TOLERANCES ARE ±.005 [0.13] ANGLES ARE ±1°		APPD BY: DHG DATE 12-18-17
SHEET NO. 2 OF 2		DWG. NO. CT600199 REV. A0