



Miniature Pushbutton

Specifications

Electrical Ratings	3A @ 120VAC, 28VDC 1A @ 250VAC See Contact Options	Dielectric Strength	1500Vrms min
Electrical Life	50,000 cycles typical	Insulation Resistance	>100MΩ min
Contact Resistance	<20mΩ initial @ 2-4VDC, 100mA	Operating Temperature	-40°C to 85°C
Actuator Travel	0.85mm ± 0.2mm	Storage Temperature	-40°C to 85°C

Materials

Actuator	6/6 Nylon, Glass Filled
Housing	Diallyl Phthalate (DAP)
Cover	Stainless Steel
Bushing	Brass, Nickel Plated
Contacts	Brass, Silver Plated
Terminals	Brass, Silver Plated

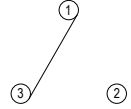
Ordering Information

1. Series	ANP	2	1	F4	C	Q	E	C742
ANP								
2. Number of Poles								
1 = SPDT								
2 = DPDT								
3. Switch Function								
1 = ON - (ON)								
2 = ON - ON Latching								
4. Bushing								
F4 / N4 = ¼-40 UNS-2A / Non-threaded, keyway, 6.35mm								
F9 / N9 = ¼-40 UNS-2A / Non-threaded, flat, 6.35mm								
**No bushing is selected is a panel mount frame is selected below								
5. Terminals								
B = Solder Lug								
C = PC pin								
D = Quick connect								
H = Horizontal mount, right angle PC pin; HS = Snap In								
V = Vertical mount, right angle PC pin								
S20 = PC pin with support bracket; V20 = Snap in support bracket *not available with SPDT								
S25 = PC pin with support bracket; V25 = Snap in support bracket								
S40 = PC pin with support bracket; V40 = Snap in support bracket								
6. Contacts								
Q = Silver plated								
R = Gold plated								
G = Gold over Silver plated								
7. Epoxy Seal								
E = Epoxy Seal								
8. Actuator Cap / Frame								
Blank = None								
C73				F75 = Snap in panel mount with frame <i>only available with momentary option</i>				
C74				F76 = Snap in panel mount with frame <i>only available with momentary option</i>				
C75								
C76								
C77								

Switch Function

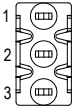
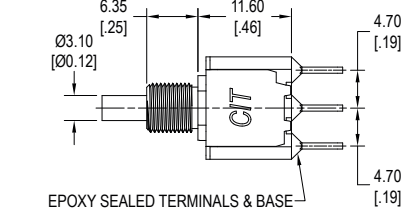
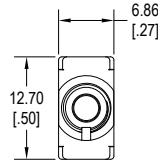


SPDT

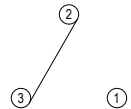


Momentary

Function	Pushbutton Position	
1	ON	(ON)
Terminals	1-3	1-2

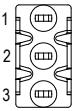
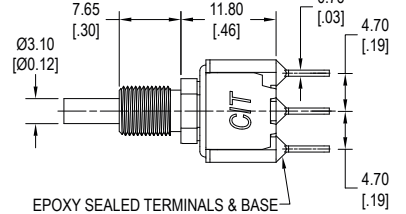
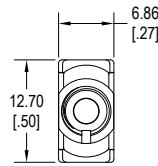


EPOXY SEALED TERMINALS & BASE



Latching

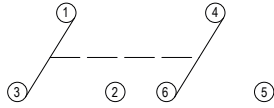
Function	Pushbutton Position	
2	ON	ON
Terminals	2-3	2-1



EPOXY SEALED TERMINALS & BASE

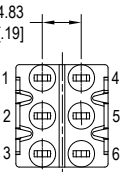
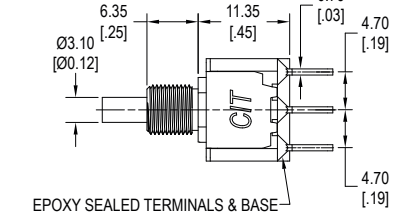
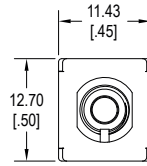


DPDT

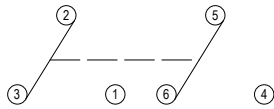


Momentary

Function	Pushbutton Position	
1	ON	(ON)
Terminals	1-3 4-6	1-2 4-5

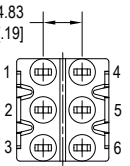
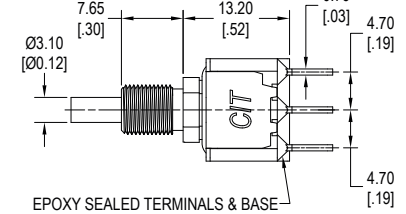
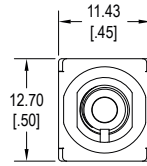


EPOXY SEALED TERMINALS & BASE



Latching

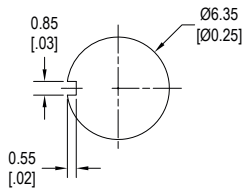
Function	Pushbutton Position	
2	ON	ON
Terminals	2-3 5-6	2-1 5-4



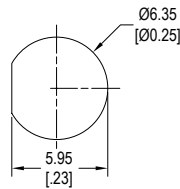
EPOXY SEALED TERMINALS & BASE

Panel Mounting

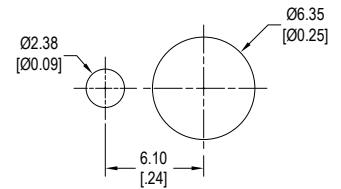
Keyway without locking ring



Flat without locking ring



With locking ring

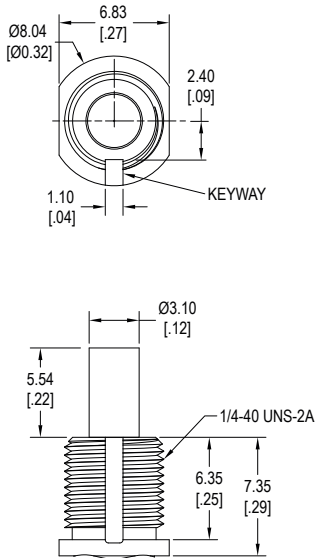


Bushing Options

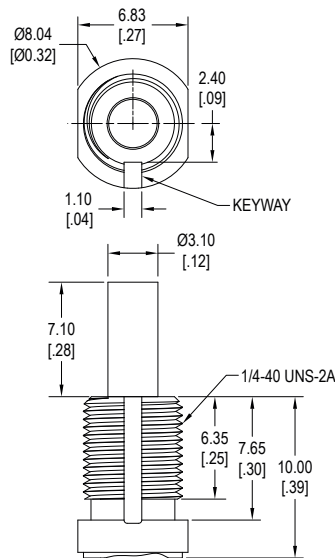
Note: Actuator Height for H, V, S20-S40 and V20-V40 terminal options is subtracted by 0.5 mm

F4 Threaded

Keyway, momentary

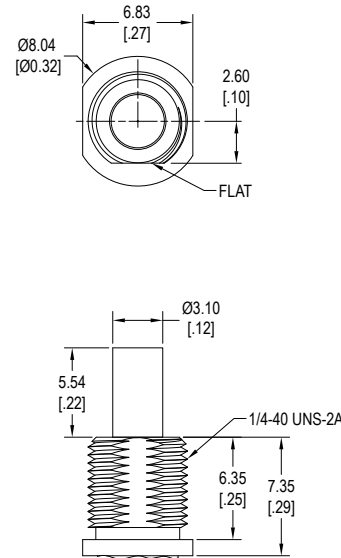


Keyway, latching

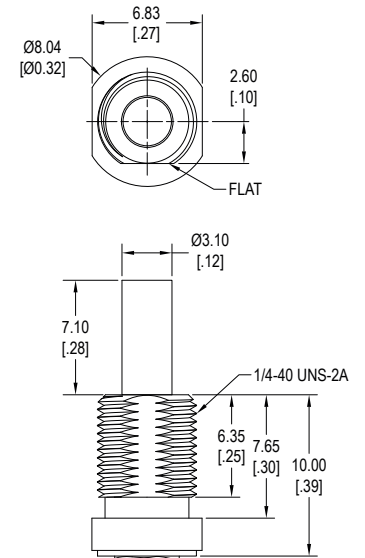


F9 Threaded

Flat, momentary

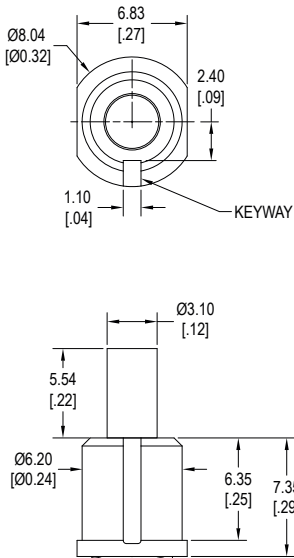


Flat, latching

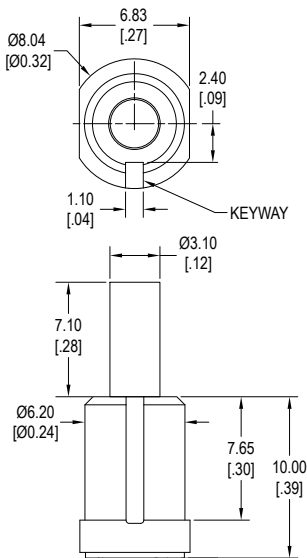


N4 Non-Threaded

Keyway, momentary

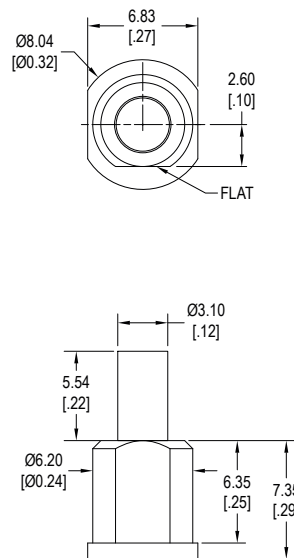


Keyway, latching

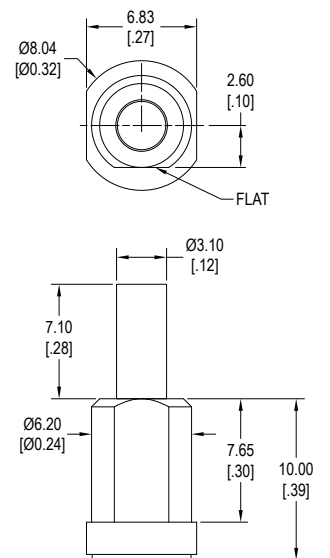


N9, Non-Threaded

Flat, momentary



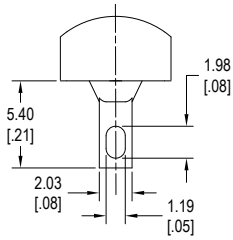
Flat, latching



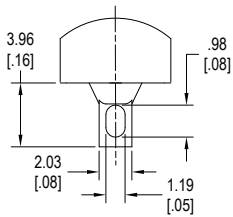
Terminal Options

B, Solder Lug
0.76 (0.3) Terminal Thickness

Momentary

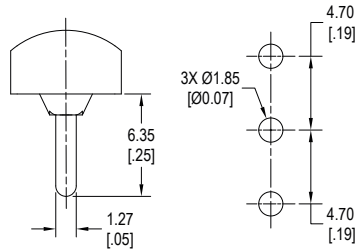


Latching

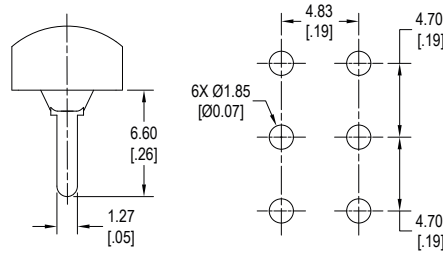


C, PC Pin
0.76 (0.3) Terminal Thickness

Momentary

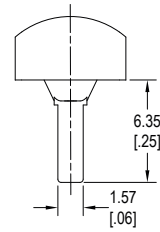


Latching

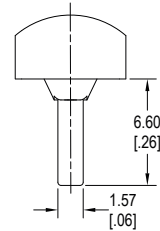


D, Quick Connect
0.76 (0.3) Terminal Thickness

Momentary

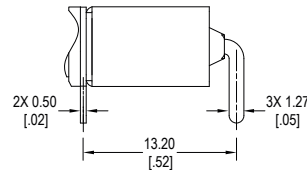
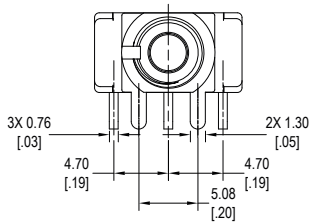


Latching

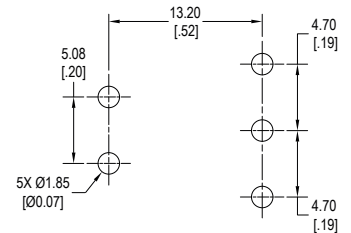


H, (HS, snap-in bracket), horizontal mount, right angle PC pins, single pole

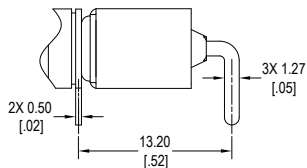
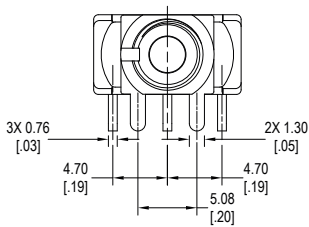
Momentary



SPDT, momentary



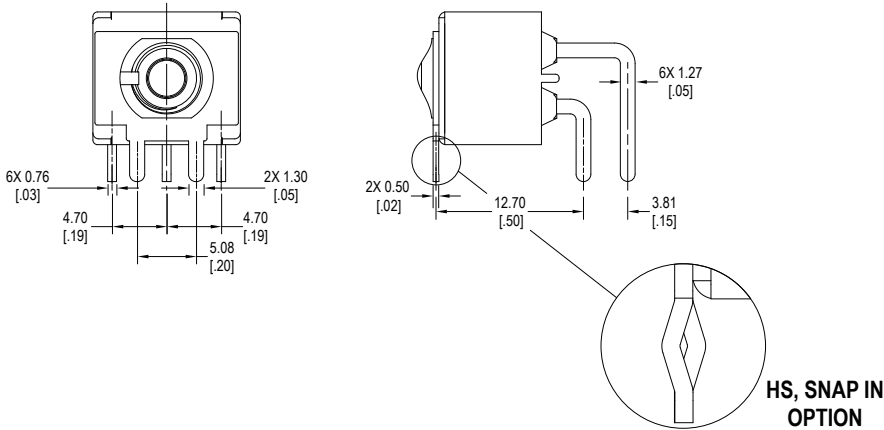
Latching



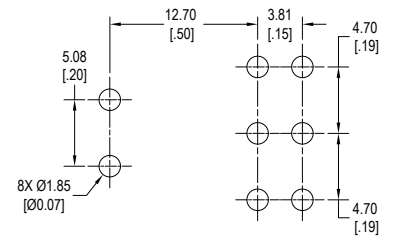
Terminal Options

H, (HS, snap-in bracket), horizontal mount, right angle PC pins, double pole

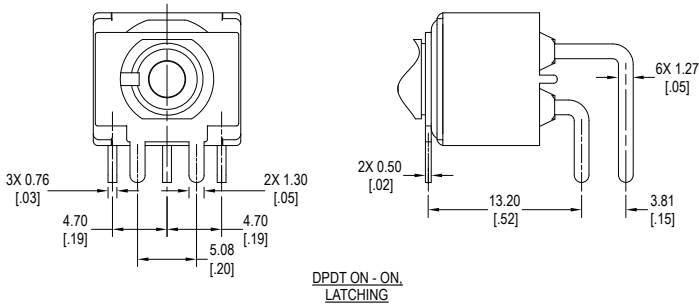
Momentary



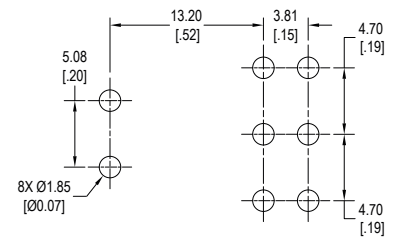
DPDT, momentary



Latching

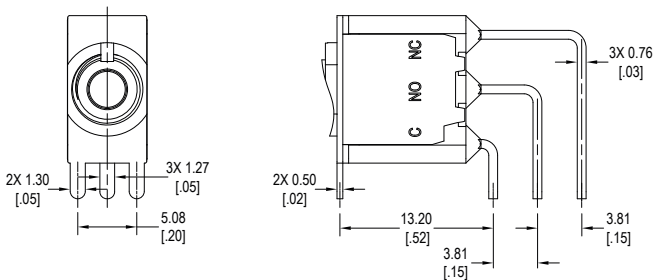


DPDT, latching

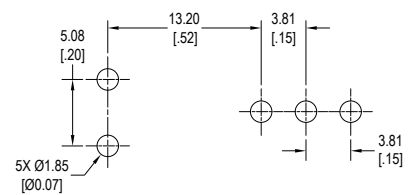


V, vertical mount, right angle PC Pins, single pole

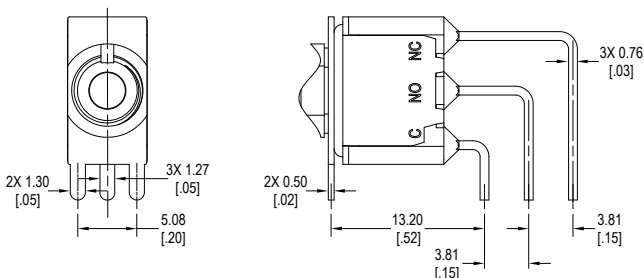
Momentary



SPDT



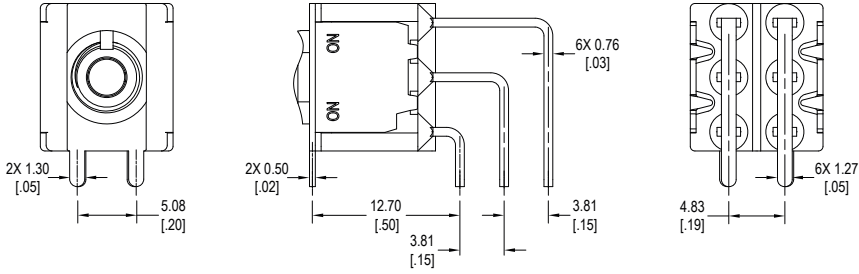
Latching



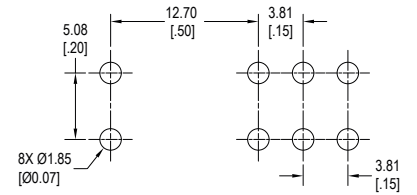
Terminal Options

V, vertical mount, right angle PC pins, double pole

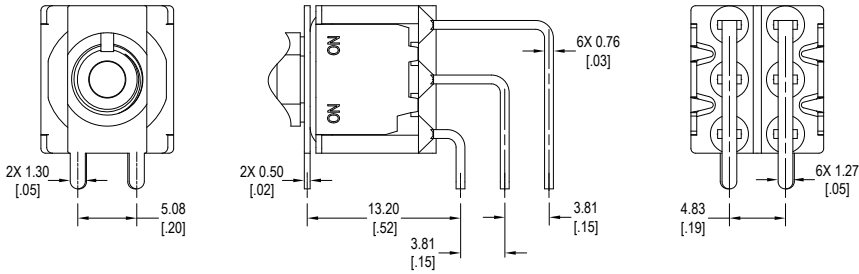
Momentary



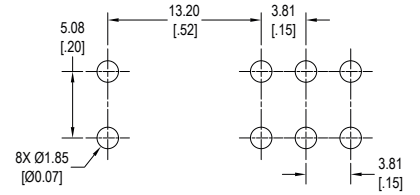
DPDT, momentary



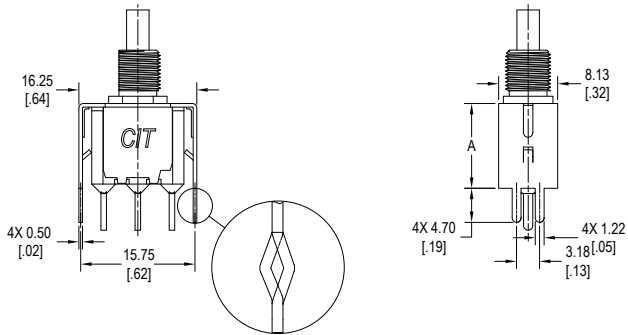
Latching



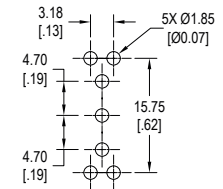
DPDT, latching



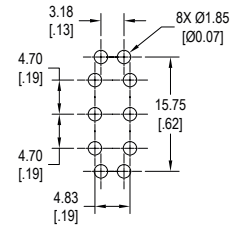
S20/S25 (V20/V25, snap-in bracket), PC pins with support bracket



SPDT



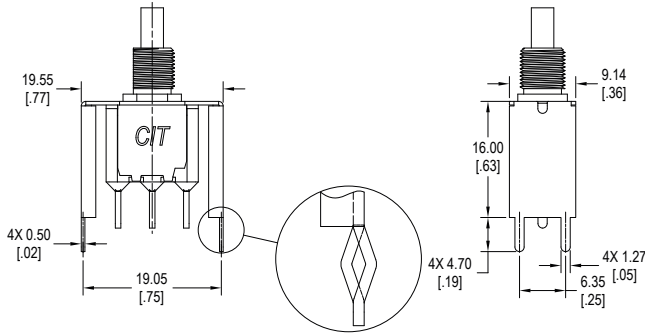
DPDT



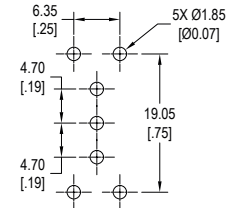
Terminal Option	"A" Dimension
S20 / V20	11.68
S25 / V25	16.00

Terminal Options

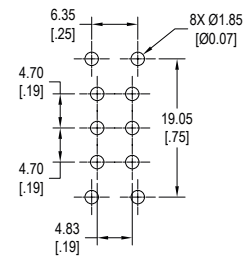
S40 (V40, snap-in bracket), PC pins with support bracket



SPDT



DPDT

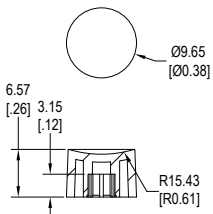


Contact Options

Designator	Contact Material	Terminal Material	Electrical Ratings
Q	Silver Plating	Silver Plating	3A @ 120VAC, 28VDC; 1A @ 250VAC
R	Gold over Nickel Plating	Gold over Nickel Plating	0.4VA max @ 20VAC or VDC max
G	Gold over Silver Plating	Gold over Silver Plating	0.4VA max @ 20VAC or VDC max or 3A @ 120VAC, 28VDC; 1A @ 250VAC

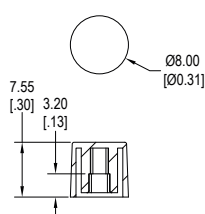
Cap Options Contact Factory for other available colors

C73_



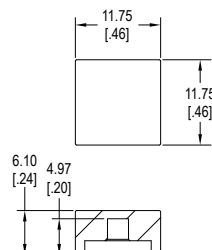
1 = White, 2 = Black, 3 = Red

C74_



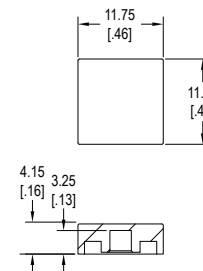
1 = White, 2 = Black, 3 = Red

C75_



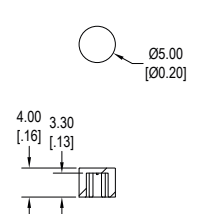
1 = White, 2 = Black, 3 = Red

C76_



1 = White, 2 = Black, 3 = Red

C77_

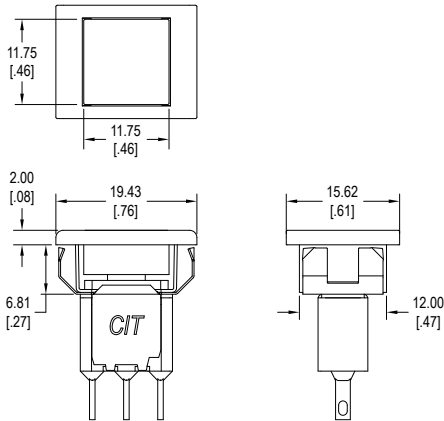


1 = White, 2 = Black, 3 = Red

Frame Options Contact Factory for other available colors

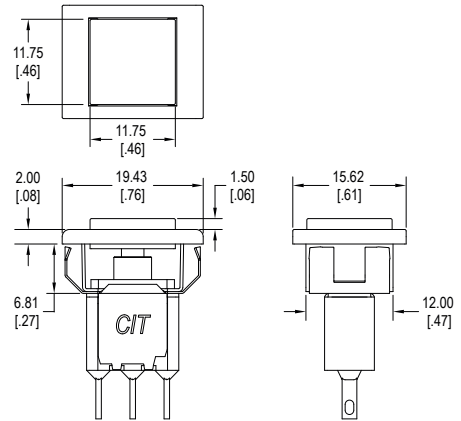
NOTE : Increase the length dimension to 15.75 / 15.88 for 1.5 / 3.2 thick panels

F75__ ← Insert cap and frame colors here



Cap Color / Frame Color
1 = White, 2 = Black, 3 = Red

F76__ ← Insert cap and frame colors here



Cap Color / Frame Color
1 = White, 2 = Black, 3 = Red

Hardware Two hex nuts, one lock washer & one locking ring supplied standard with threaded bushings

<p>Hex Nut</p> <p>For use with F4 & F9 Bushing</p>	<p>Lock Washer</p> <p>For use with F4 & F9 Bushing</p>	<p>Flat Locking Ring</p> <p>For use with F4 & F9 Bushing</p>	<p>Keyway Locking Ring</p> <p>For use with F4 & F9 Bushing</p>	<p>Dress Nut</p> <p>For use with F4 & F9 Bushing</p>
<p>Knurled Nut, 1.5mm</p> <p>For use with F4 & F9 Bushing</p>	<p>Knurled Nut, 4.5mm</p> <p>For use with F4 & F9 Bushing</p>	<p>Cap Shroud A</p>	<p>Cap Shroud B</p>	<p>Cap Shroud C</p>