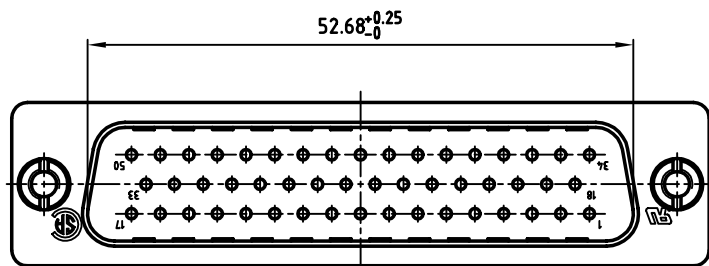
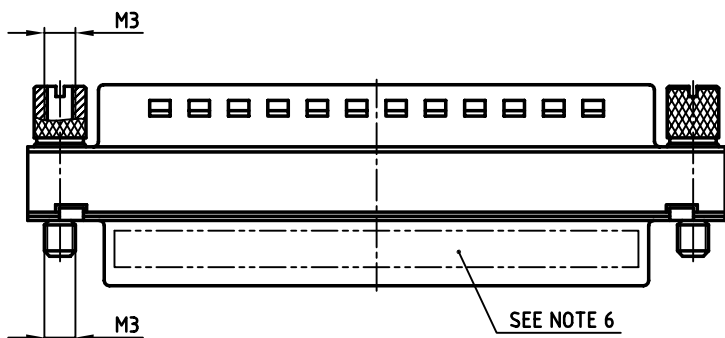
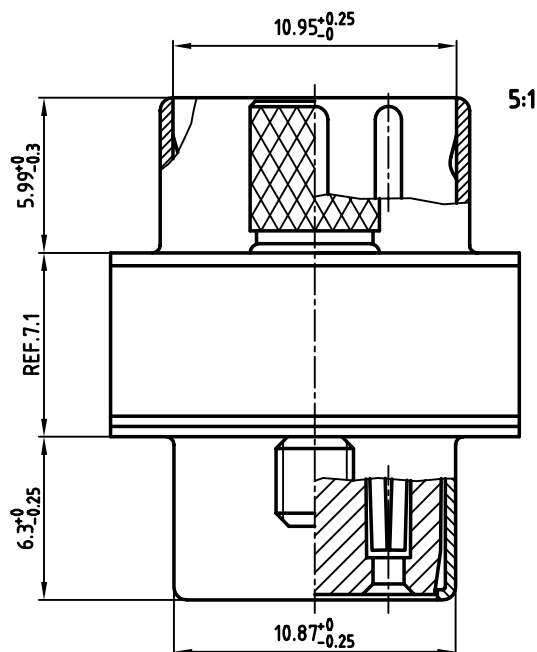
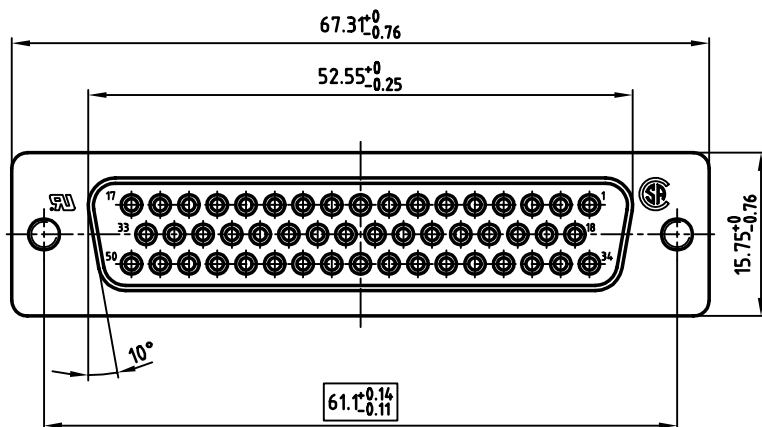


used for: D-SUB



NOTES:

1. METALSHELLS: STEEL; min. 320µ" TIN
2. INSULATORS: PBT GF UL 94 V-0, BLACK
3. CONTACTS: COPPER ALLOY
4. PLATING: min. 8µ" HARD GOLD OVER min. 50µ" NICKEL
5. MAXIMUM TORQUE VALUE FOR THREAD: 6" LBS
6. CONNECTOR IS PART MARKED: 163A50099X CONEC Y/WW
7. [] = CRITICAL DIMENSION

Directive 2002/95/EC
RoHS
Compliant

THIS DRAWING MAY NOT BE COPIED OR REPRODUCED IN ANY WAY, AND MAY NOT BE PASSED ON TO A THIRD PARTY, WITHOUT WRITTEN PERMISSION. OWNERSHIP AND COPYRIGHT OF CONEC Gmbh DO NOT ALTER CAD DRAWING BY HAND

rev.	description	date	name

tolerance			scale: 2:1 (5:1)
material:			SEE NOTES
2002	date	name	title: ADAPTER PLUG / SOCKET 50pos. M3
drawn	25.09.	E. Mickenbecker	
appd.	25.09.	J. Resonnek	
norm	DIN 41652		
d-old			dwg no: AutoCAD 2000
			DIN-A 3
			sh: 1/1
part no: 163A50099X			16K1A763

dwg no: AutoCAD 2000		DIN-A
16K1A763		3
part no: 163A50099X		sh: 1/1