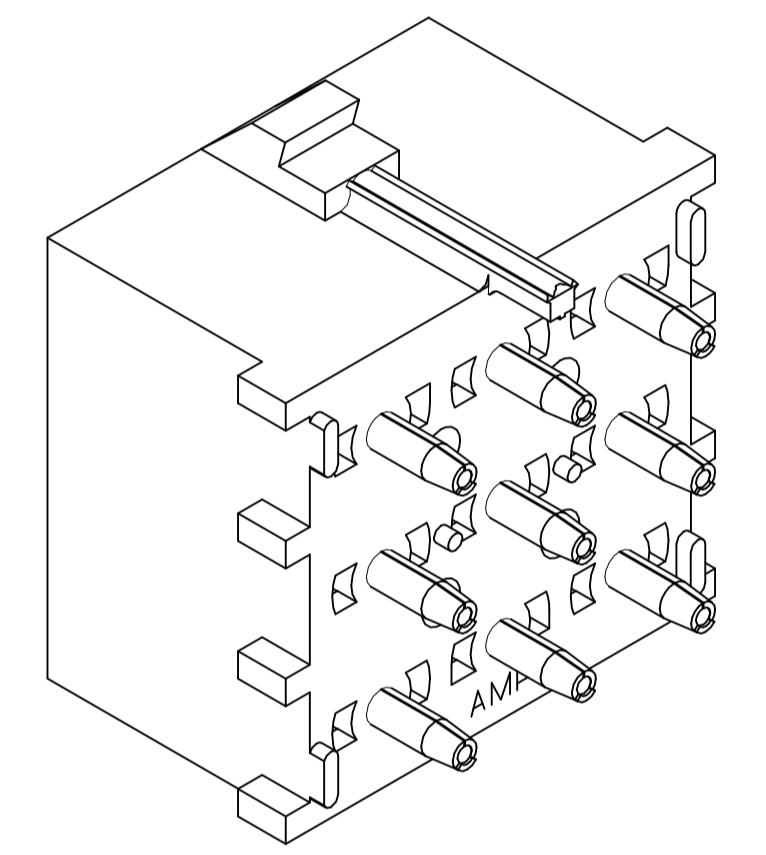
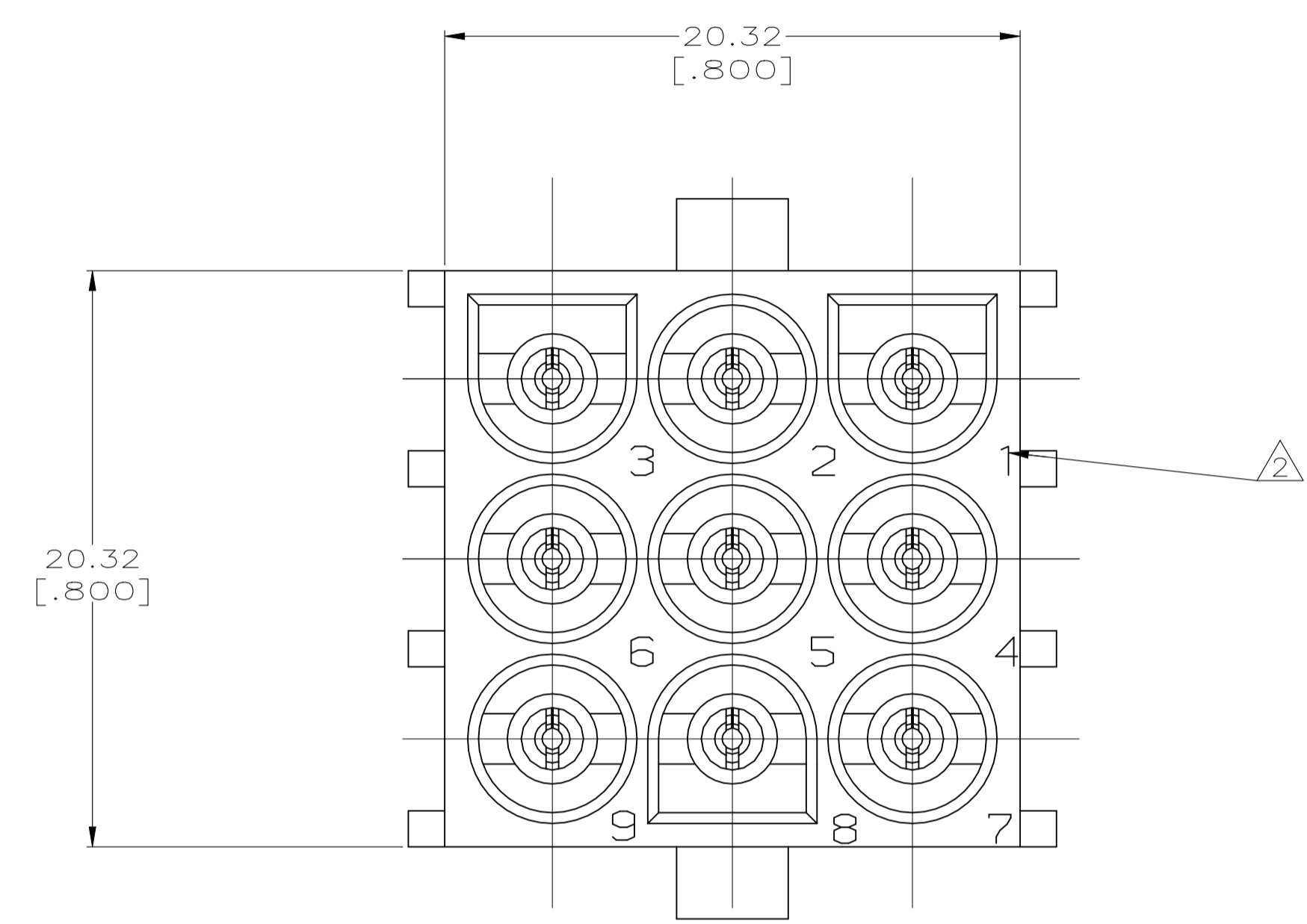
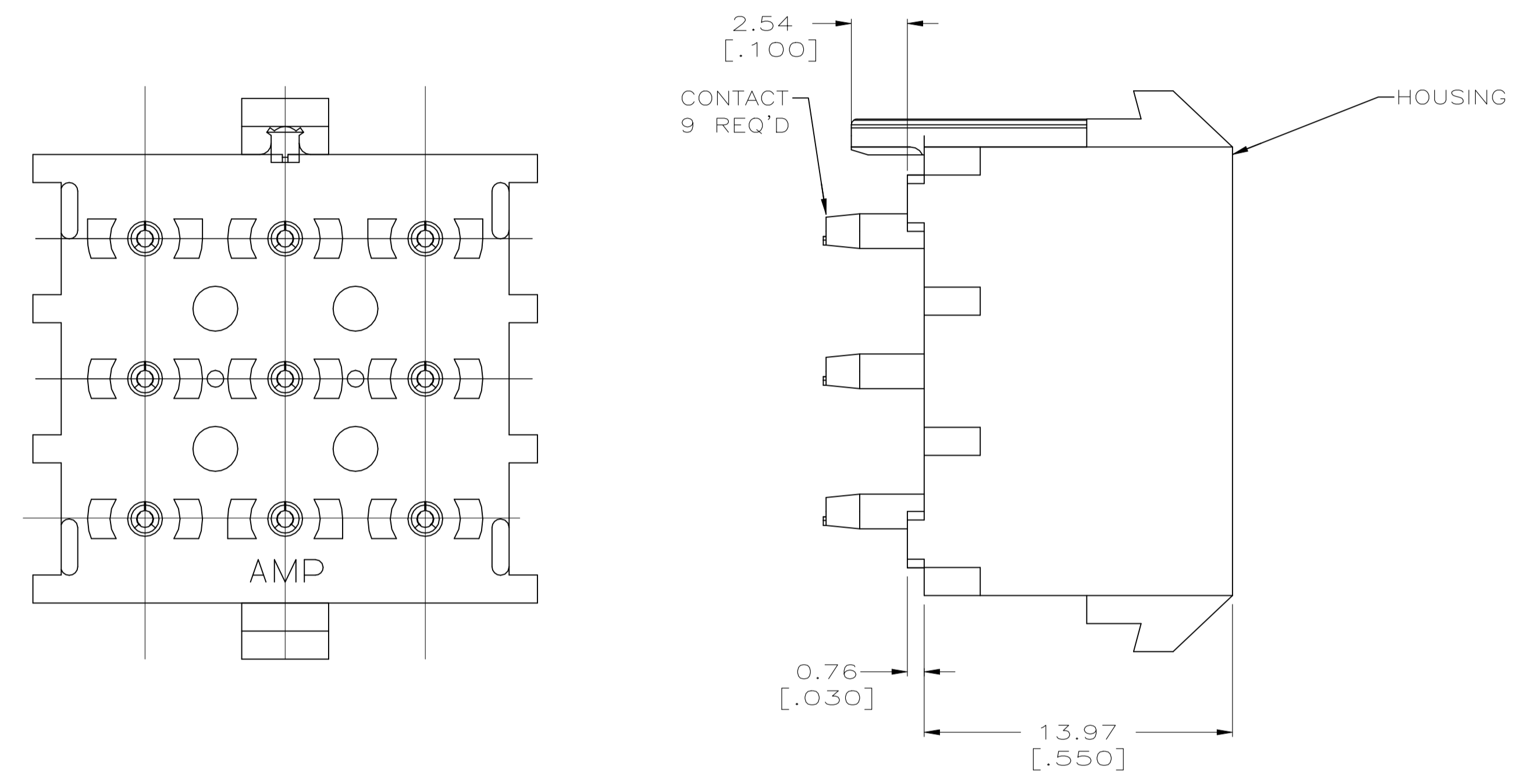
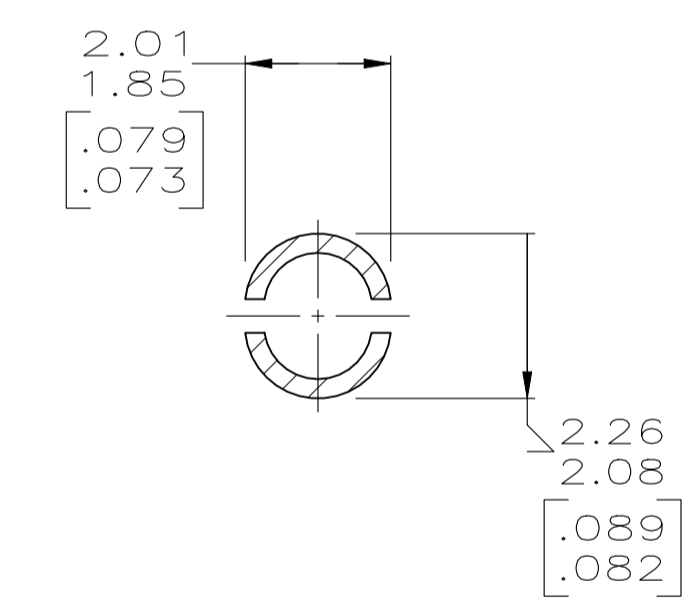


LOC		DIST		REVISIONS			
P	LTR	DESCRIPTION	DATE	DWN	APVD		
A1		REVISED PER ECR-21-117154	01AUG2022	PJ	VS		

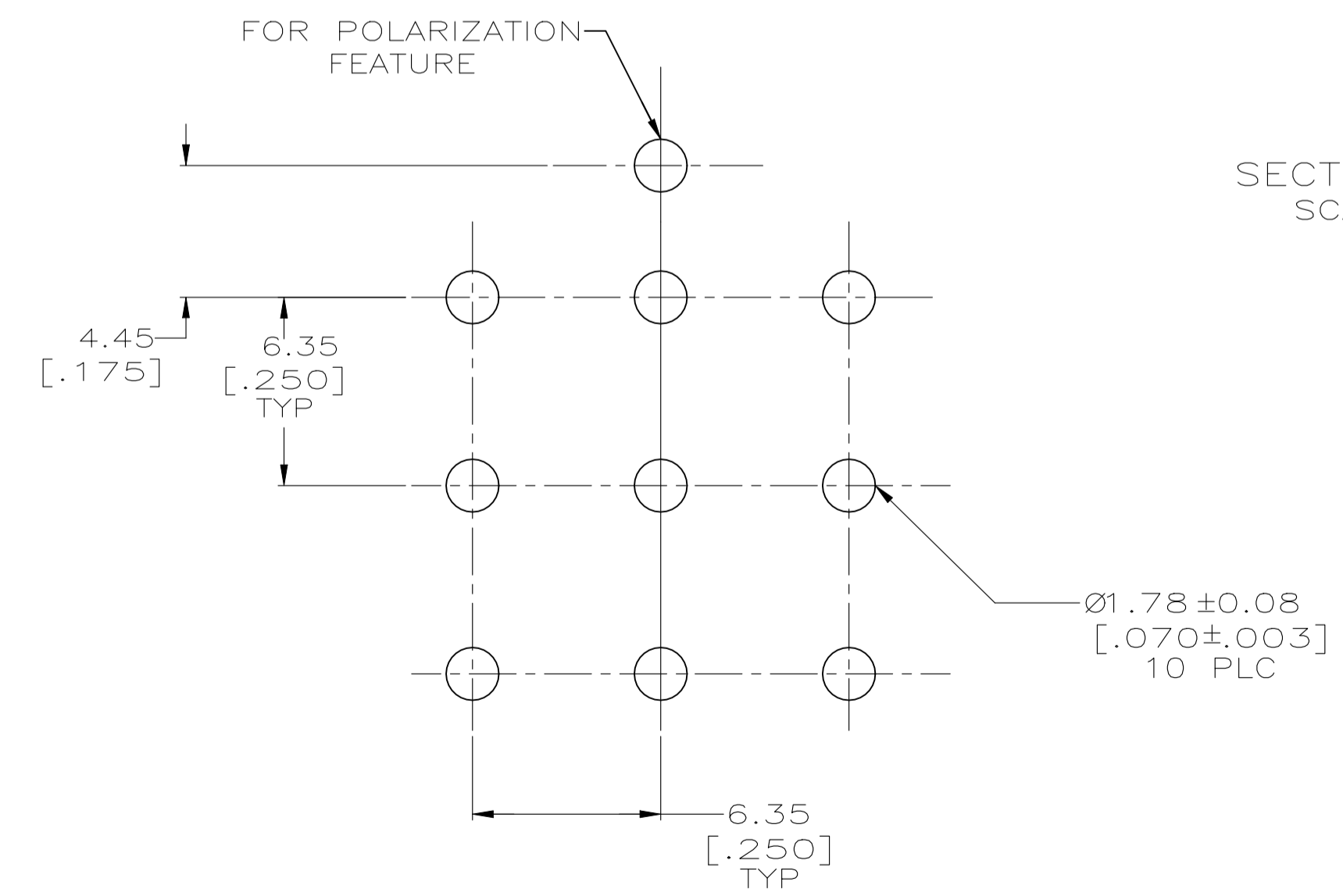
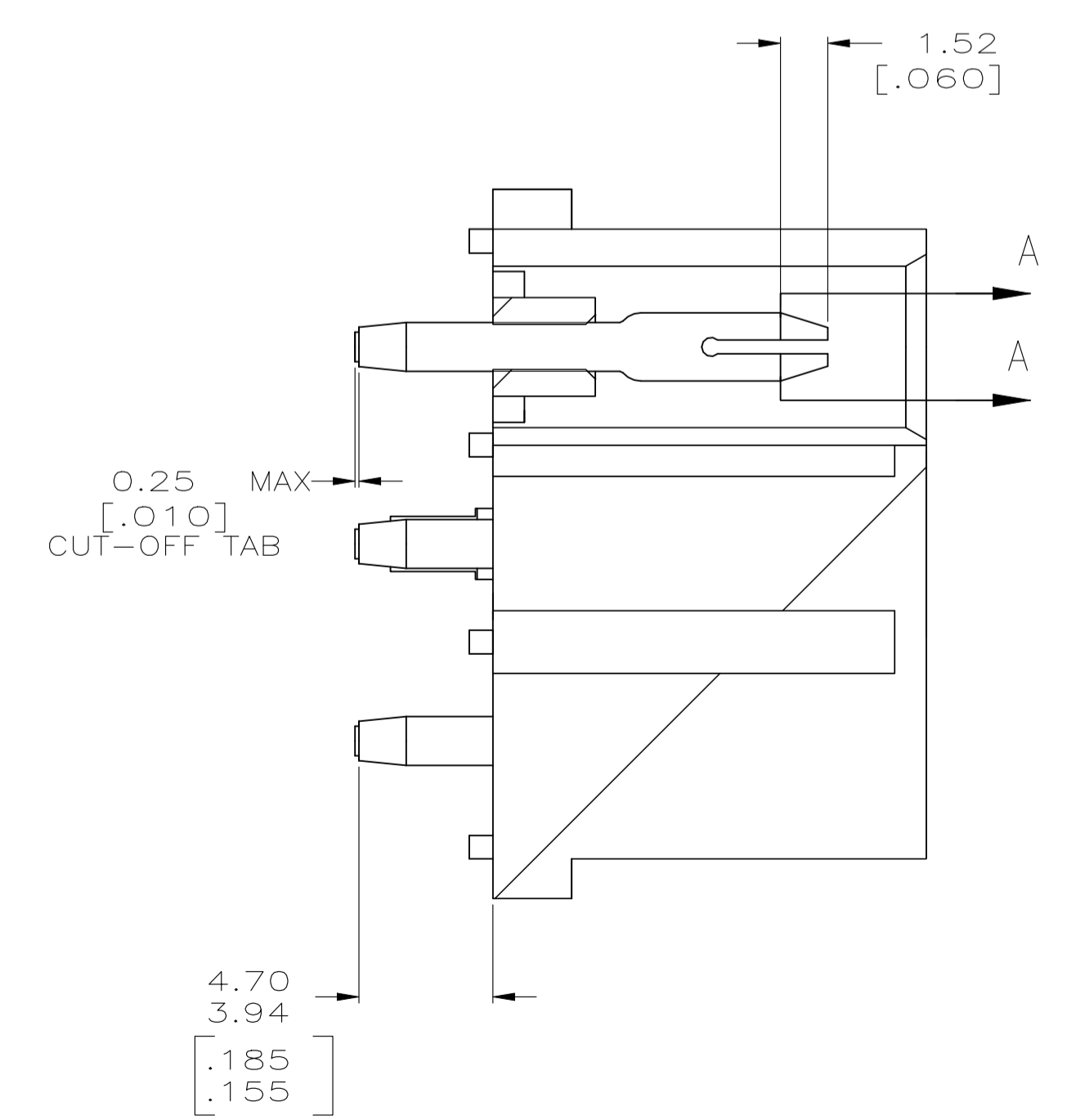
- PARTS COMPLY WITH AMP SOLDERABILITY SPECIFICATION 109-11-3.
- CIRCUIT IDENTIFICATION CHARACTERS ARE ADJACENT TO THE INDICATED CAVITIES, BUT LOCATION AND ORIENTATION MAY DIFFER FROM PRINT.
- DIMENSIONS IN BRACKETS ARE IN INCHES.
- 150 C TEMPERATURE RATING FOR THIS HOUSING IS FOR SHORT TERM DURATION. MAX OPERATING TEMPERATURE REMAINS 125 C.
- DIMENSION SHOWN REPRESENT PRODUCT IN DRY CONDITION. ADDITIONAL 2% GROWTH DUE TO END USE LOCATION MOISTURE ABSORPTION MAY OCCUR AND SHOULD BE ACCOUNTED FOR.



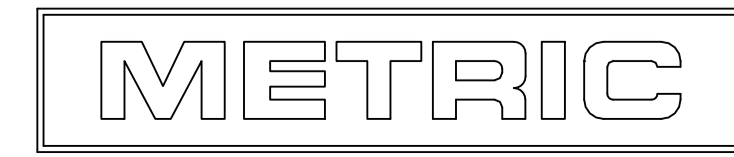
3-DIMENSIONAL MODEL NTS



SECTION A-A  
SCALE 10:1



RECOMMENDED MOUNTING HOLE PATTERN FOR 1.57 [.062] THICK P.C. BOARD



PH BRZ	TIN PLATED	NYLON, UL94V-2	BLACK	794603-1
MATERIAL	FINISH	MATERIAL	COLOR	PART NO
THIS DRAWING IS A CONTROLLED DOCUMENT.		DWN: S. LEWIS 23-FEB-1999 CHK: R. SWING 23-FEB-1999 APVD: M. TRULL 23-FEB-1999 AMP Incorporated Harrisburg, PA 17105-3608		
DIMENSIONS: INCHES		DIMENSIONS: INCHES TOLERANCES UNLESS OTHERWISE SPECIFIED: 0 PLC ±— 1 PLC ±— 2 PLC ±— 3 PLC ±0.13 [.005] 4 PLC ±— ANGLES ±—		
MATERIAL: SEE TABLE		FINISH: SEE TABLE WEIGHT: — SIZE: A1 CAGE CODE: 00779 DRAWING NO: C-794603 CUSTOMER DRAWING		
		SCALE: 5:1 SHEET: 1 OF 1 REV: A1		