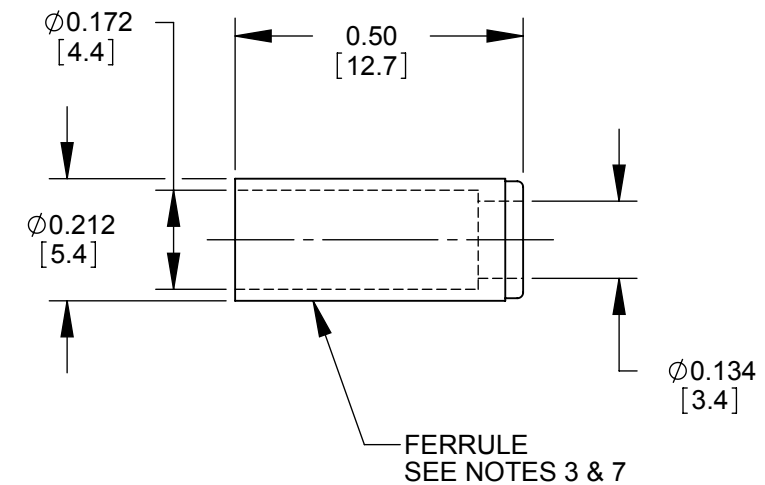
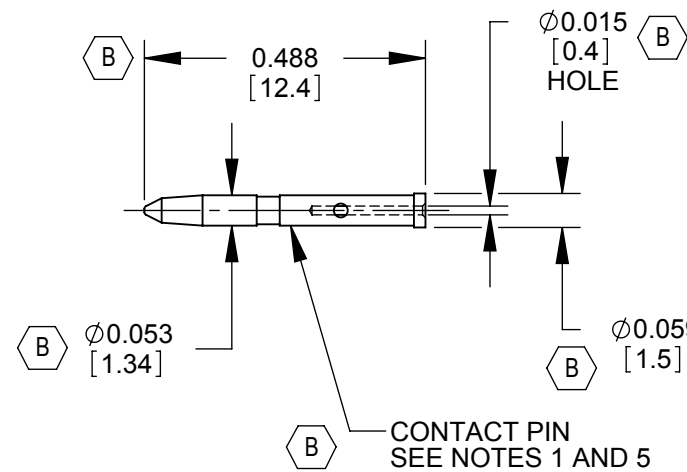
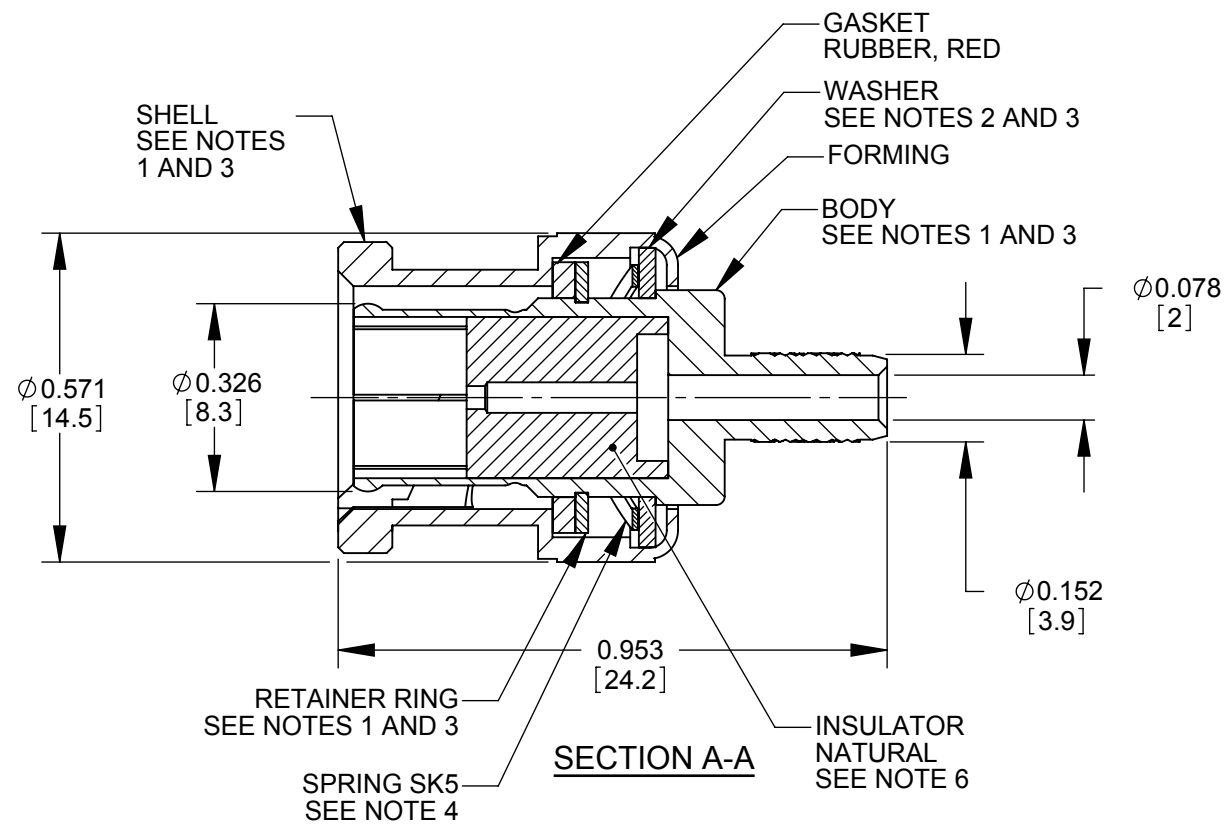


ALTRERNATE KNURL DESIGN

RECOMMENDED  
CABLE STRIPPING DIMENSIONS  
SWITCHCRAFT STRIPPING TOOL #PTS1



NOTES:

FINISH (PLATING THICKNESS IN MICRO-INCHES)

1. BRASS PER QQ-B-626
2. BRASS PER QQ-B-613
3. NICKEL PLATING 100 MIN THICK OVER COPPER STRIKE.
4. NICKEL PLATING 200 MIN THICK OVER COPPER STRIKE.
5. GOLD PLATING 50 MIN THICK OVER NICKEL PLATING 100 MIN THICK OVER COPPER STRIKE.
6. TEFLON MIL-P-19468
7. JIS H 3250, C2600
8. CRIMPED FERRULE HEX CRIMP SIZE 0.187. (B)
9. CRIMPED CONTACT PIN SQUARE CRIMP SIZE 0.042 OR HEX CRIMP SIZE 0.041.
10. ALL DIMENSIONS ARE REFERENCE UNLESS OTHERWISE SPECIFIED.
11. THIS PRODUCT IS RoHS COMPLIANT.

CUSTOMER DRAWING

					THIS DRAWING DESCRIBES A DESIGN CONSIDERED PROPRIETARY IN NATURE, DEVELOPED AND MANUFACTURED BY SWITCHCRAFT INC. AND IS RELEASED ON A CONFIDENTIAL BASIS FOR IDENTIFICATION PURPOSES ONLY.							
					SIZE	WIDTH	MULT	LBS/M	TEMPER			
					UNLESS OTHERWISE SPECIFIED			FINISH		MATERIAL		
					1. ALL DIMENSIONS IN INCHES			SPEC No.		SPEC No.		
					- TWO PLACE DECIMALS ±0.02			FIRST USED ON		SCALE		
					- THREE PLACE DECIMALS ±0.005			DATE DRAWN		3:1		
B	26364	3-31-09	RS	TJK	10-31-06	RF	CHKD RF	APVD TJK	Switchcraft®			
A	26142	3-12-09	RF	TJK	10-31-06	10-31-06	10-31-06	SHEET 1 OF 1				
REV	ECO NUMBER	DATE	BY	APVD	NAME 75 OHM BNC CONNECTOR 179DT CABLE, RoHS			PART No.		REV		
REVISIONS					DO NOT SCALE DRAWING					HP75BNC14X		B