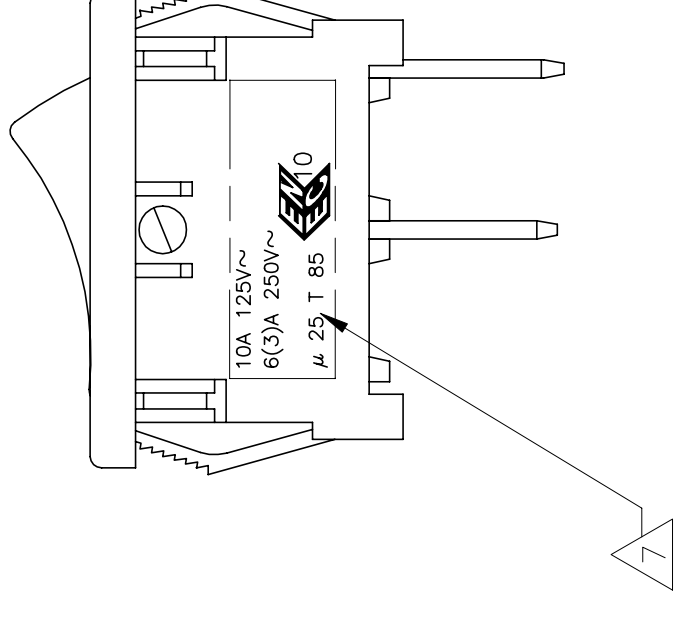
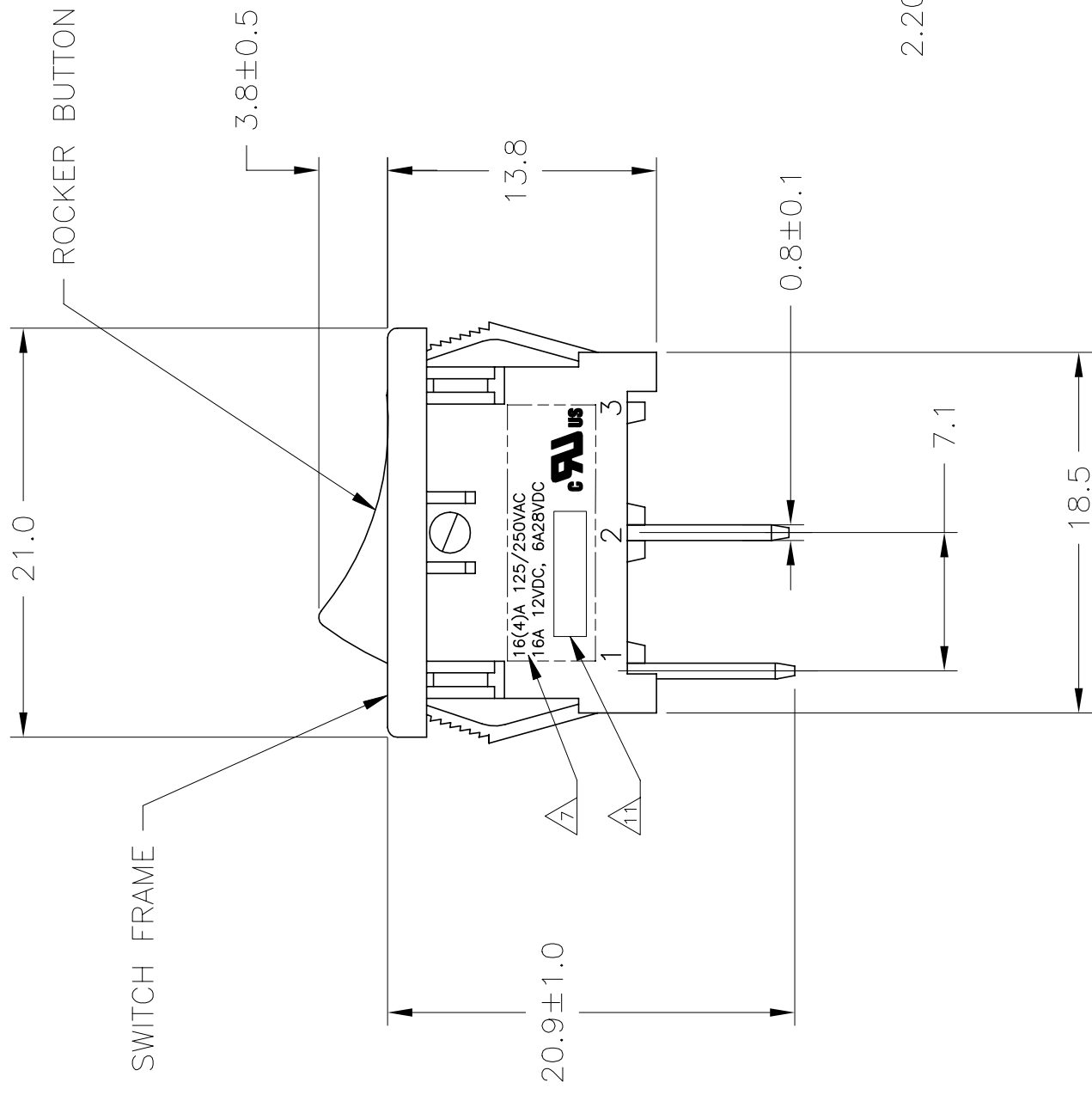
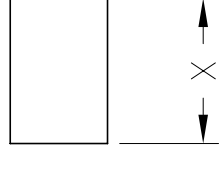
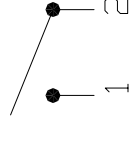


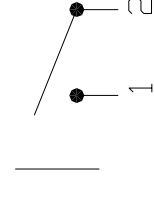
PANEL CUT OUT



SWITCH FUNCTION A1  
CIRCUIT DIAGRAM

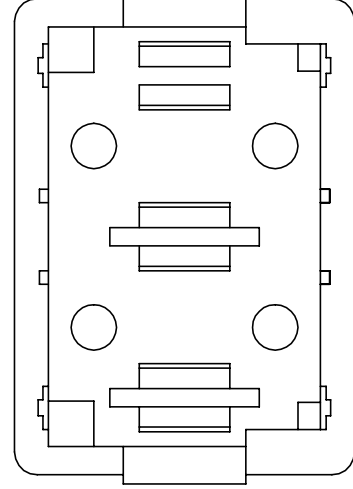


SWITCH FUNCTION A3  
CIRCUIT DIAGRAM



2.00-3.00	19.8-0.1	13.0+0.1
1.25-2.00	19.4-0.1	13.0+0.1
0.75-1.25	19.2-0.1	13.0+0.1
PANEL THICKNESS	X	Y

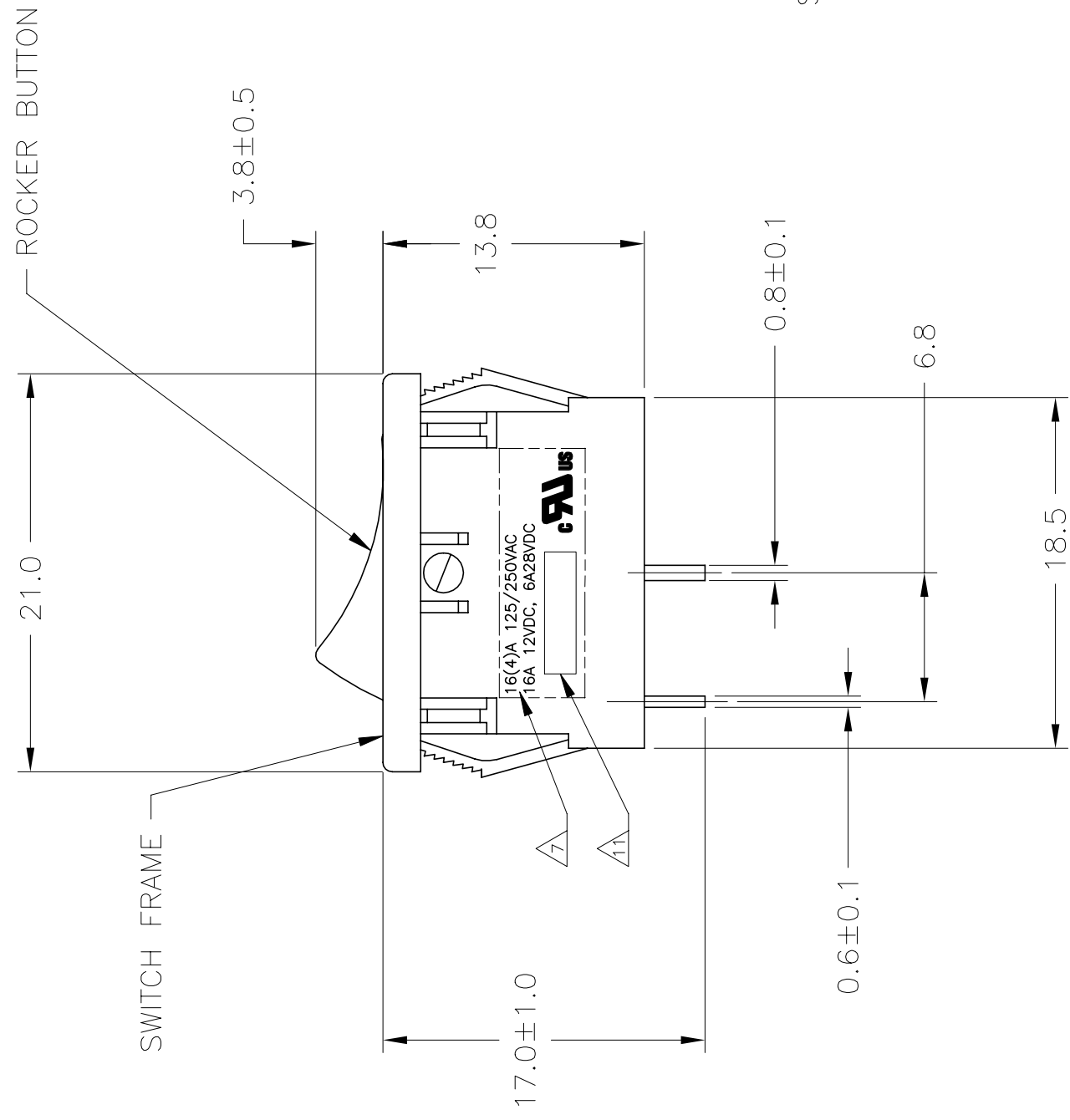
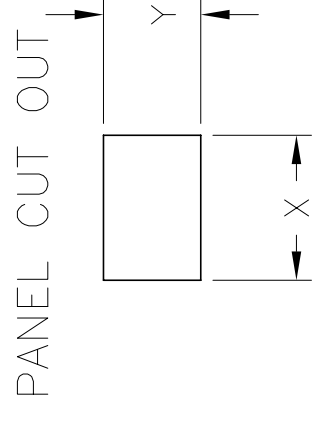
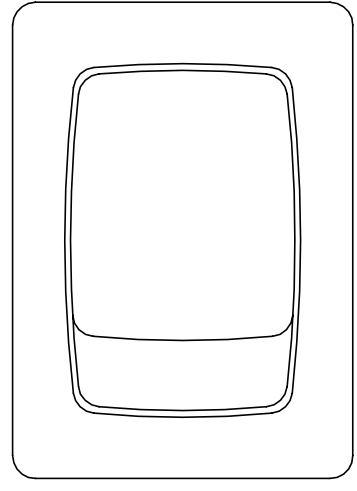
P	LTR	DESCRIPTION	DATE	DWN	APVD
N		REVISED PER ECO-20-013571	17FEB2021	SR	JB



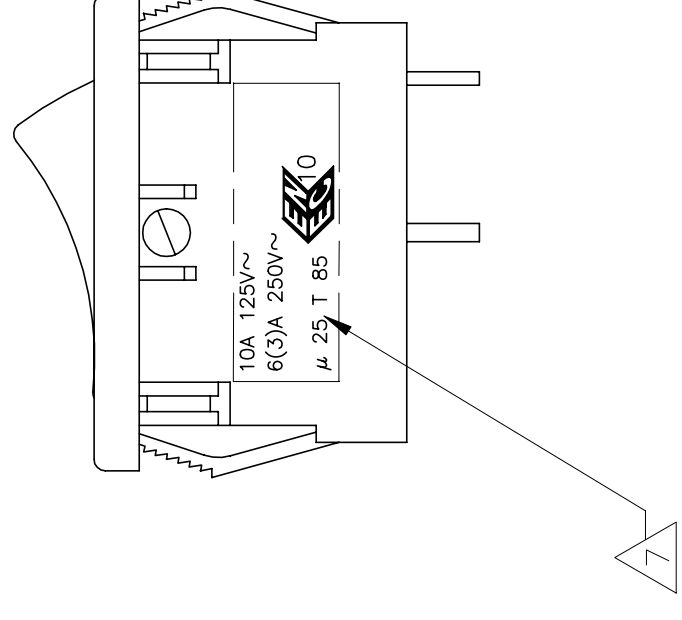
1571076-9 SHOWN

THIS DRAWING IS A CONTROLLED DOCUMENT.		DWN	M.BINNER	25FEB2002	-	TE Connectivity Ltd.	
DIMENSIONS: MM		CHK	J.MOSIER	APVD	-	NAME	
TOLERANCES UNLESS OTHERWISE SPECIFIED:		PRODUCT SPEC		NOT APPLICABLE		POWER ROCKER SWITCH, 13.0mm X 19.2mm	
0 PLC ± 0.30		APPLICATION SPEC		NOT APPLICABLE		PANEL SIZE SPST 2 TERMINALS NON-ILLUMINATED	
1 PLC ± 0.05		WEIGHT		NOT APPLICABLE		RESTRICTED TO	
2 PLC ±		CUSTOMER DRAWING		A2		CAGE CODE DRAWING NO	
3 PLC ±		SCALE		3:1		C=1571076	
4 PLC ±		SHEET		1 of 4		REV	
ANGLES		REV		N		N	
FINISH		REV		N		N	

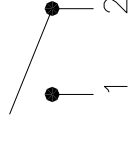
P	LTR	DESCRIPTION	DATE	DWN	APVD
-	-	SEE SHEET 1	-	-	-



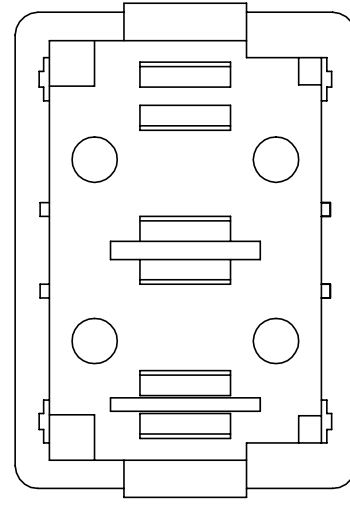
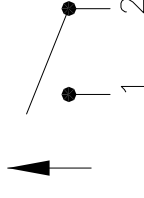
2.00-3.00	19.8-0.1	13.0+0.1
1.25-2.00	19.4-0.1	13.0+0.1
0.75-1.25	19.2-0.1	13.0+0.1
PANEL THICKNESS	X	Y



SWITCH FUNCTION A1  
CIRCUIT DIAGRAM



SWITCH FUNCTION A3  
CIRCUIT DIAGRAM



THIS DRAWING IS A CONTROLLED DOCUMENT.

DIMENSIONS:	TOLERANCES UNLESS OTHERWISE SPECIFIED:
MM	
0 PLC	±
1 PLC	± 0.30
2 PLC	± 0.05
3 PLC	±
4 PLC	±
ANGLES	±
FINISH	
MATERIAL	1

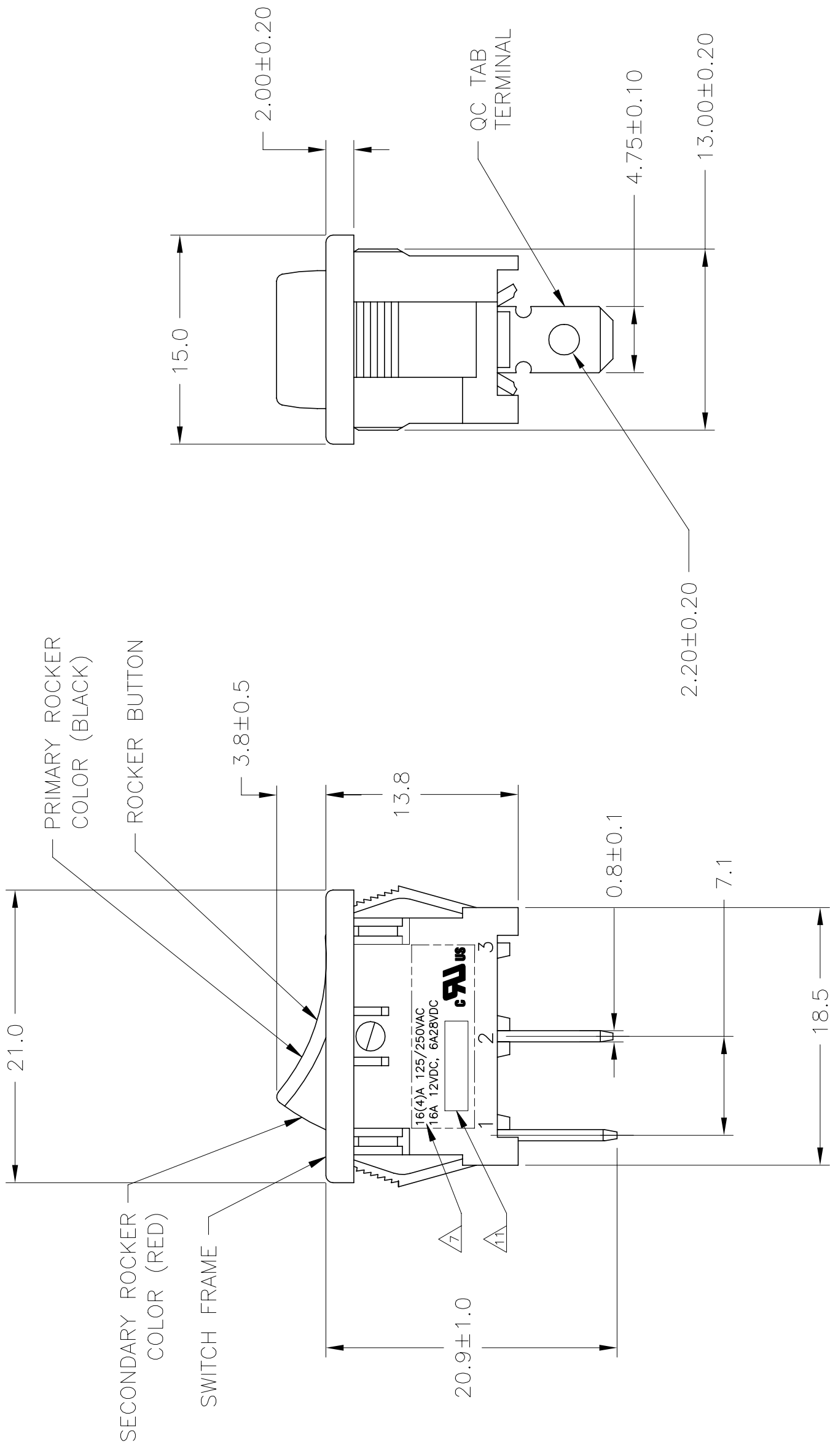
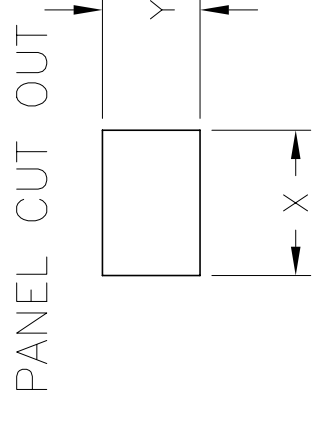
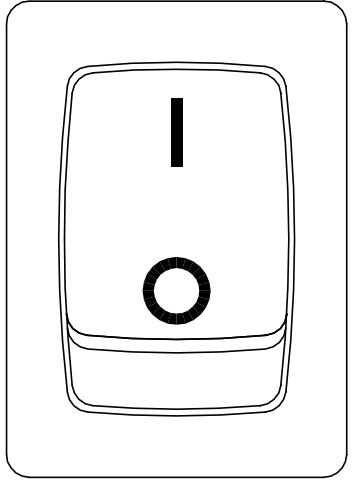
DWN	25FEB2002	25FEB2002
M.BINNER	-	-
J.MOSIER	-	-
PRODUCT SPEC	NOT APPLICABLE	NOT APPLICABLE
APPLICATION SPEC	NOT APPLICABLE	NOT APPLICABLE
WEIGHT	0	0
CUSTOMER DRAWING		

NAME	RESTRICTED TO
POWER ROCKER SWITCH, 13.0mm X 19.2mm PANEL SIZE SPST 2 TERMINALS NON-ILLUMINATED	-
SIZE	A2
CAGE CODE	00779
DRAWING NO	1571076
SCALE	3:1
SHEET	2 of 4
REV	N

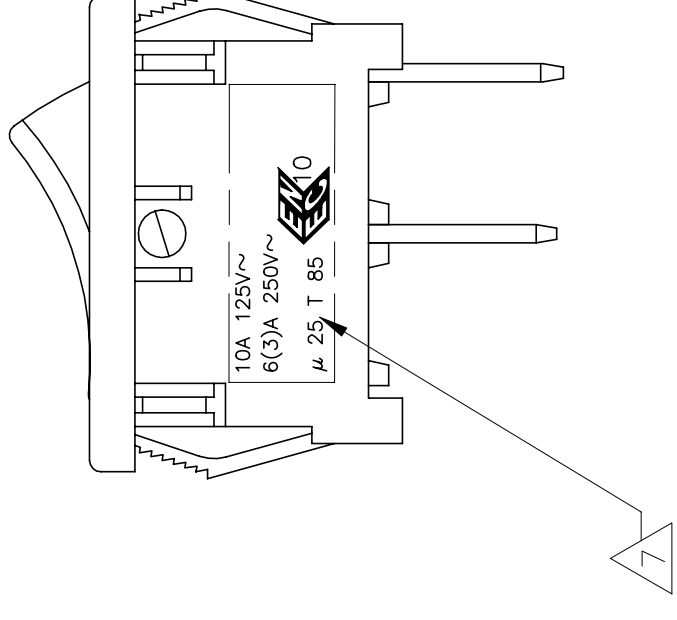


TE Connectivity Ltd.

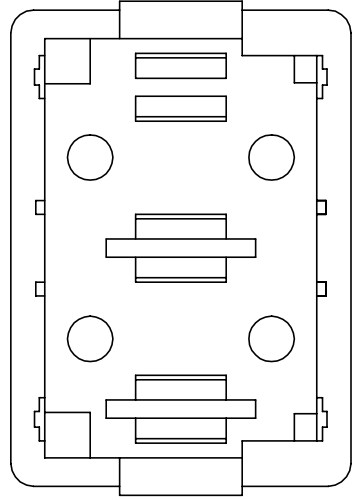
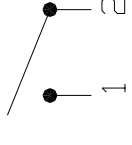
P	LTR	DESCRIPTION	DATE	DWN	APVD
-	-	SEE SHEET 1	-	-	-



2.00-3.00	19.8-0.1	13.0+0.1
1.25-2.00	19.4-0.1	13.0+0.1
0.75-1.25	19.2-0.1	13.0+0.1
PANEL THICKNESS	X	Y



SWITCH FUNCTION A2  
CIRCUIT DIAGRAM



OBSOLETE 6-1571076-7 SHOWN  
(WITH DUAL COLOR ROCKER BUTTON)

THIS DRAWING IS A CONTROLLED DOCUMENT.

DIMENSIONS:	TOLERANCES UNLESS OTHERWISE SPECIFIED:
MM	
0 PLC	±
1 PLC	± 0.30
2 PLC	± 0.05
3 PLC	±
4 PLC	±
ANGLES	±
FINISH	±



DWN	25FEB2002	NAME
M.BINNER	-	TE Connectivity Ltd.
CHK	J.MOSIER	
APVD	-	
PRODUCT SPEC	NOT APPLICABLE	
APPLICATION SPEC	NOT APPLICABLE	
WEIGHT	-	

SIZE	CAGE CODE	DRAWING NO	RESTRICTED TO
A2	00779	1571076	-

CUSTOMER DRAWING

SCALE 3:1

SHEET 3 of 4

REV N

P	LTR	DESCRIPTION	DATE	DWN	APVD
-	-	SEE SHEET 1	-	-	-

## LEGACY PART NUMBER

X<sub>1</sub>X<sub>2</sub> X<sub>3</sub> X<sub>4</sub> X<sub>5</sub>X<sub>6</sub> — X<sub>7</sub>X<sub>8</sub> X<sub>9</sub> — X<sub>10</sub>X<sub>11</sub>X<sub>12</sub>X<sub>13</sub>X<sub>14</sub>

SWITCH TYPE: X<sub>1</sub>X<sub>2</sub> = PR - POWER ROCKER

NOMINAL PANEL CUT OUT SIZE: X<sub>3</sub> = A - 13.0x19.2

NUMBER OF POLES: X<sub>4</sub> = S - SINGLE

SWITCH FUNCTION: X<sub>5</sub>X<sub>6</sub> =

A1 - ON-OFF, WITH OPAQUE, SINGLE-COLOR ROCKER BUTTON  
 A2 - ON-OFF, WITH OPAQUE, DUAL-COLOR ROCKER BUTTON  
 A3 - (ON)-OFF, WITH OPAQUE, SINGLE-COLOR ROCKER BUTTON

CURRENT RATING: X<sub>7</sub>X<sub>8</sub> = 16 - 6

TERMINAL TYPE: X<sub>9</sub> = E - QC TAB  
L - SOLDER LUG

FRAME COLOR: X<sub>10</sub> = B - BLACK  
W - WHITE

ROCKER COLOR: X<sub>11</sub> = B - BLACK  
G - GREEN  
R - RED  
W - WHITE

1

**MATERIALS:**  
 ROCKER BUTTON & HOUSING FRAME: NYLON 66, UL 94 V-2.  
 TERMINAL, ACTIVE CONTACTOR: COPPER ALLOY PER ASTM B152/B152M  
 PLUNGER: COPPER ALLOY PER ASTM B036  
 SPRING: STEEL WIRE PER ASTM A228/A228M  
 CONTACT: SILVER-TIN OXIDE  
 BOTTOM PLATE(SOLDER LUG OPTION): PHENOLIC LAMINATE

2

**FINISH:**  
 TERMINAL, ACTIVE CONTACTOR: 1.0µm MIN SILVER  
 PLUNGER: 3.0µm MIN NICKEL

3.

**ELECTRICAL SPECIFICATIONS:** 6  
 CURRENT AND VOLTAGE:  
 CONTACT RESISTANCE (INITIAL): <100mΩ (5V, 1A DC)  
 DIELECTRIC STRENGTH (INITIAL): >1000 VAC, 1 MINUTE  
 INSULATION RESISTANCE (INITIAL): >100MΩ MIN (500VDC BETWEEN OPEN CONTACTS)  
 INRUSH CURRENT: 50A / 3msec (CAPACITIVE LOAD)  
 ELECTRICAL LIFE ENDURANCE: >6000 OPERATIONS,  
 TEMPERATURE RISE AT TERMINALS: <30°C, 6000 OPERATIONS  
 (AMBIENT CONDITIONS: 25±2°C AND 65±5%RH)  
 DEGREE OF PROTECTION: IP40

4.

**MECHANICAL SPECIFICATIONS:**  
 ACTUATING FORCE: 150g MIN, 650g MAX  
 OPERATING LIFE ENDURANCE: >100,000 OPERATIONS  
 TERMINAL RETENTION FORCE: >2.5kg- SOLDER LUG  
 >6.8kg- QC TAB

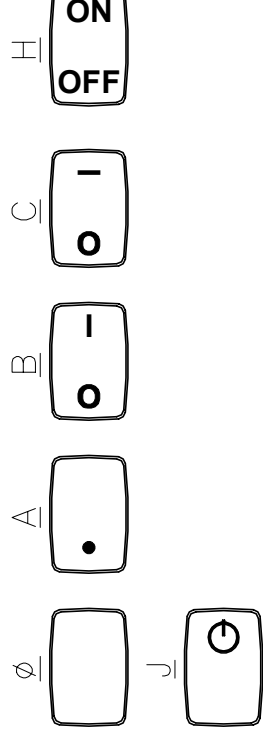
5.

**ENVIRONMENTAL SPECIFICATIONS:**  
 AMBIENT TEMPERATURE: -20°C TO +85°C  
 HUMIDITY: MAX 85%  
 SALT SPRAY: NO REMARKABLE RUST IN METAL PARTS. (5%NaCl / 35°C 24HRS)  
 SHOCK: NO MECHANICAL DEFECT OR DAMAGE. (100g / 10MSEC/ X,Y,Z 3 TIMES)  
 VIBRATION: NO MECHANICAL DEFECT OR DAMAGE. (10-55Hz /1.5mm/ X,Y,Z 2HRS)  
 DEGREE OF PROTECTION: IP40

SECONDARY ROCKER COLOR: X<sub>12</sub> = ∅ - NOT APPLICABLE

B - BLACK  
C - GREEN  
R - RED  
W - WHITE

LEGEND TEXT PATTERN: X<sub>13</sub> =



LEGEND TEXT COLOR: X<sub>14</sub> = ∅ - NOT APPLICABLE

G - GREEN  
R - RED  
B - BLACK  
W - WHITE

6.

UL: 16(4)A 125/250VAC / 16A12VDC, 6A28VDC  
 ENEC: 10A 125V~, 6(3)A 250V~ µ25T85.

7.

ELECTRICAL RATINGS, AGENCY APPROVAL LOGOS, TERMINAL IDENTIFICATION NUMBERS, MOLDED APPROXIMATELY AS SHOWN ON THE SIDE OF THE SWITCH HOUSING.

8.

COMPONENT RECOGNIZED TO US AND CANADIAN STANDARDS, UL FILE NO. E46765.

9.

NOTE REMOVED.

10.

ROHS 2002/95/EC COMPLIANT.

11.

TE CONNECTIVITY LOGO LOCATED APPROXIMATELY AS SHOWN

OBSOLETE	3	PRASA2-16F-BBRBR	6-1571076-7
	2	PRASA1-16L-BR000	6-1571076-6
OBSOLETE	1	PRASA1-16F-BR000	6-1571076-5
	2	PRASA1-16L-BR0BW	3-1571076-0
OBSOLETE	1	PRASA3-16F-BB000	2-1571076-6
	1	PRASA3-16F-BB0JW	2-1571076-1
OBSOLETE	1	PRASA1-16F-BB0HW	2-1571076-0
	2	PRASA1-16L-BB0CW	1-1571076-4
OBSOLETE	2	PRASA1-16L-BB0BW	1-1571076-3
	2	PRASA1-16L-BB000	1-1571076-2
OBSOLETE	1	PRASA1-16F-BB0CW	1-1571076-1
	1	PRASA1-16F-BB0BW	1-1571076-0
OBSOLETE	1	PRASA1-16F-BB000	1571076-9
	SHEET REF.	LEGACY PART NUMBER	PART NUMBER

25FEB2002

THIS DRAWING IS A CONTROLLED DOCUMENT.		DWN	M.BINNER	25FEB2002
DIMENSIONS: MM		CHK	J.MOSIER	
TOLERANCES UNLESS OTHERWISE SPECIFIED:		APVD		
0 PLC	±	PRODUCT SPEC	NOT APPLICABLE	
1 PLC	± 0.30	APPLICATION SPEC	NOT APPLICABLE	
2 PLC	± 0.05	WEIGHT	0.000000	
3 PLC	±	NOT APPLICABLE		
4 PLC	±	NOT APPLICABLE		
ANGLES	±	SIZE	A2	
FINISH	±	CAGE CODE	00779	
MATERIAL	1	DRAWING NO	1571076	
	2	RESTRICTED TO		
		CUSTOMER DRAWING		

A

STE

TE Connectivity Ltd.

NAME

POWER ROCKER SWITCH, 13.0mm X 19.2mm

PANEL SIZE SPST 2 TERMINALS NON-ILLUMINATED

SCALE

3:1

SHEET

4 of 4

REV

N