

# MPB. Heavy-duty vertical toggle clamps

Steel



## MATERIAL

Weldable black-oxide steel.

## ROTATING PINS AND SEEGER RINGS

Ground and hardened steel.

## SUPPORT BUSHING

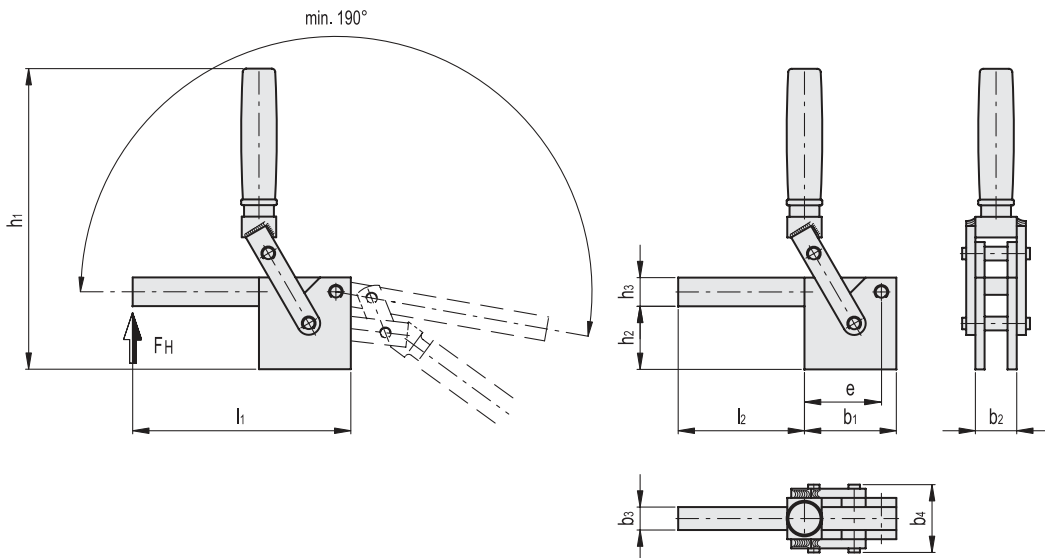
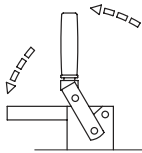
Ground and hardened steel.

## HANDLE

Polyurethane, red colour.

## FEATURES AND APPLICATIONS

MPB. vertical toggle clamps are usually used for applications requiring high clamping force. Easy disassembly allows to re-machine single elements according to application needs.



METRIC

Code	Description	b1	b2	b3	b4	h1	h2	h3	l1	l2	e	FH [N]*	⚖️
GG.AA900	MPB.1000-F	80	36	20	57.5	265	55	25	190	110	67	10000	2400
GG.AA905	MPB.2000-F	100	36	20	57.5	295	65	35	220	120	82	20000	3600
GG.AA910	MPB.3000-F	110	45	25	71	320	80	40	250	140	90	30000	5700

\* Holding force.



Models all rights reserved in accordance with the law. Always mention the source when reproducing our drawings and photos.



- 1
- 2
- 3
- 4
- 5
- 6
- 7
- 8
- 9
- 10
- 11
- 12
- 13
- 14
- 15
- 16
- 17
- 18

Toggle clamps