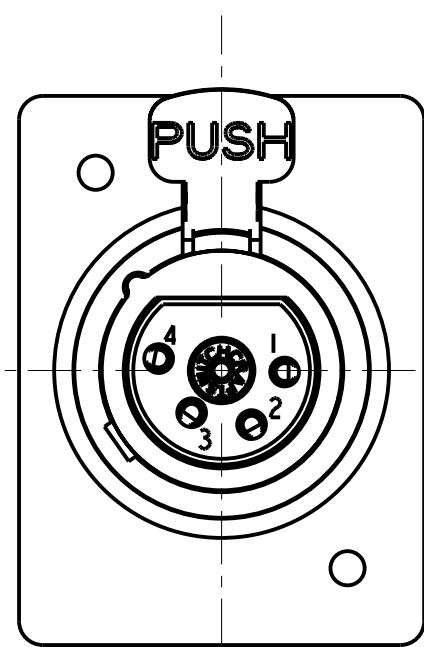
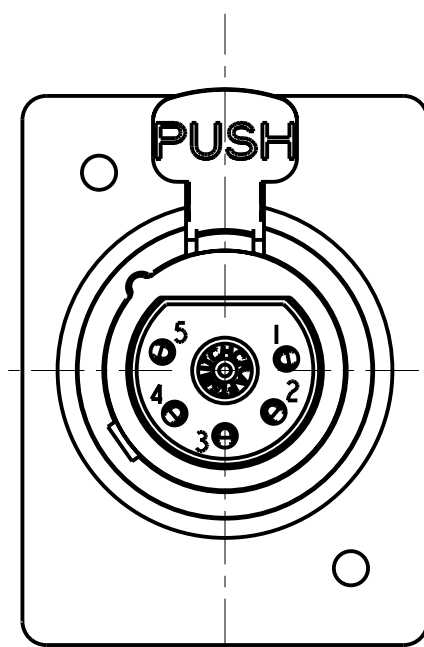


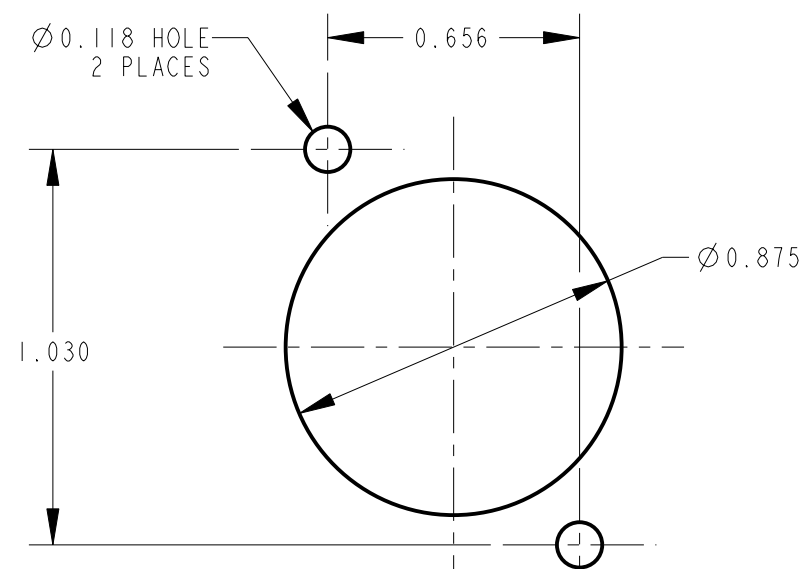
3 PIN



4 PIN



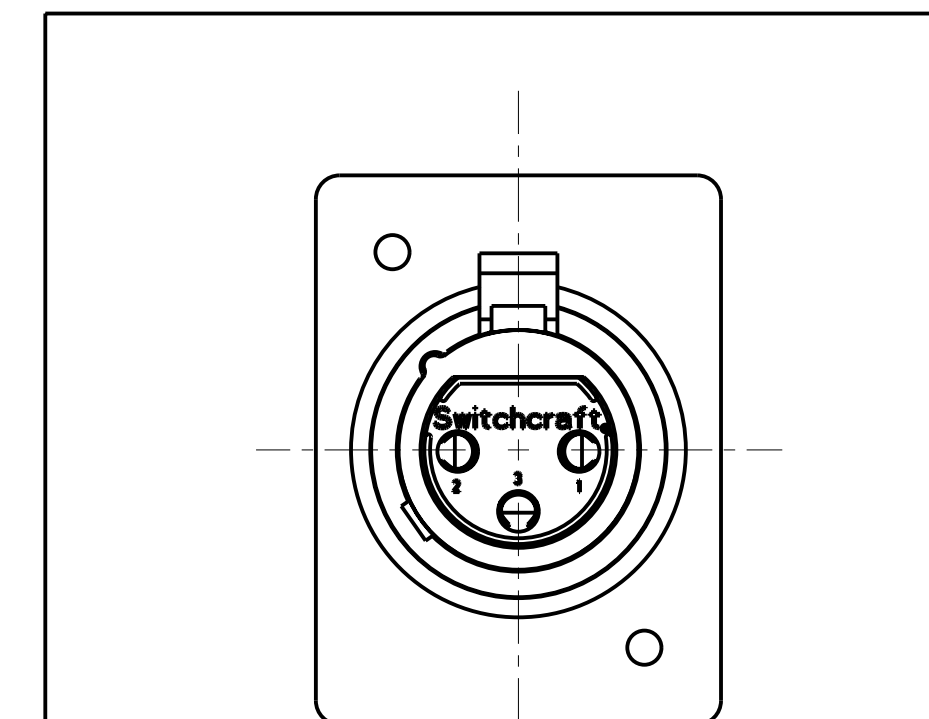
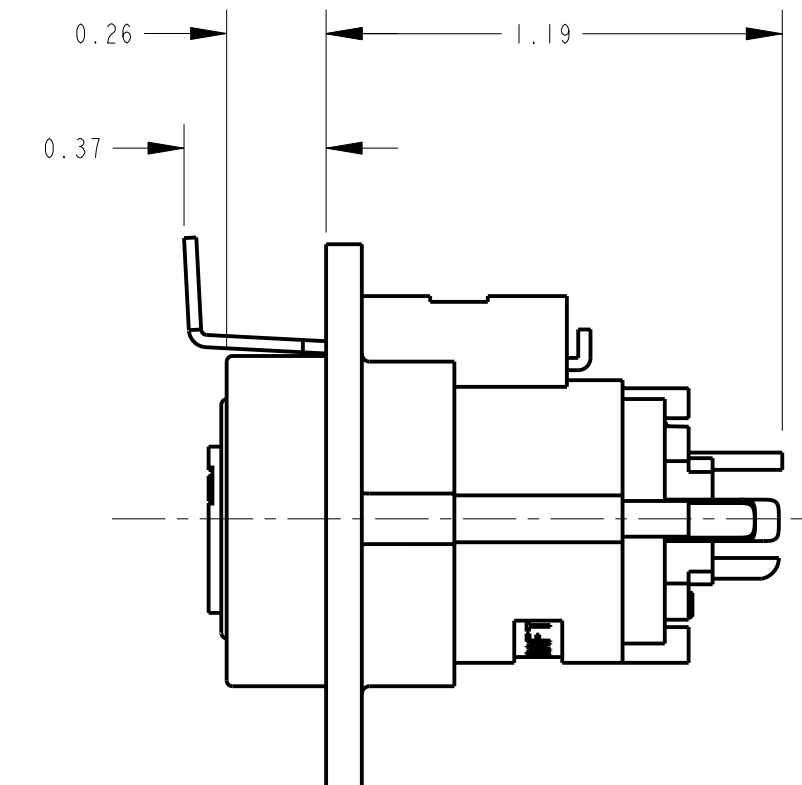
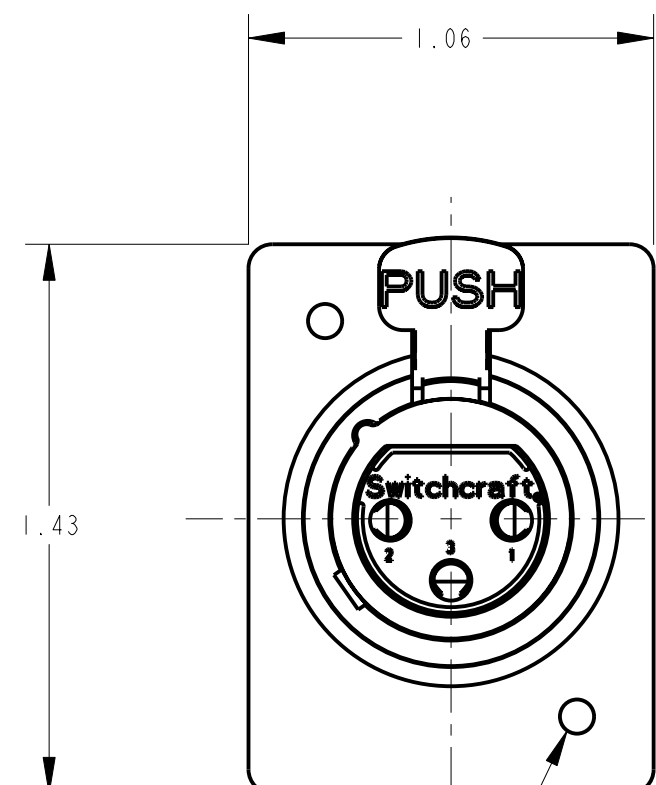
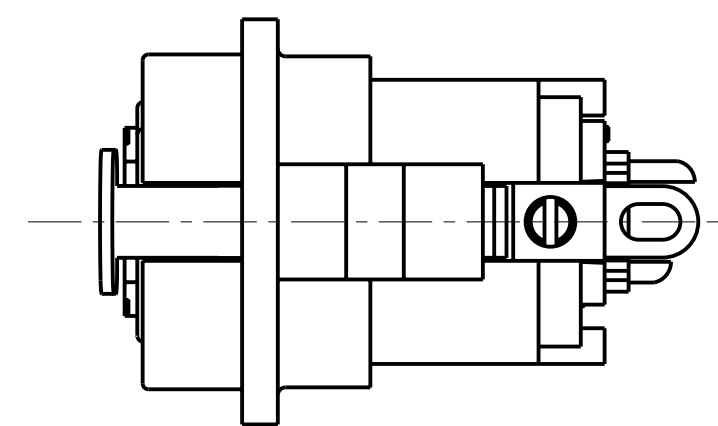
5 PIN



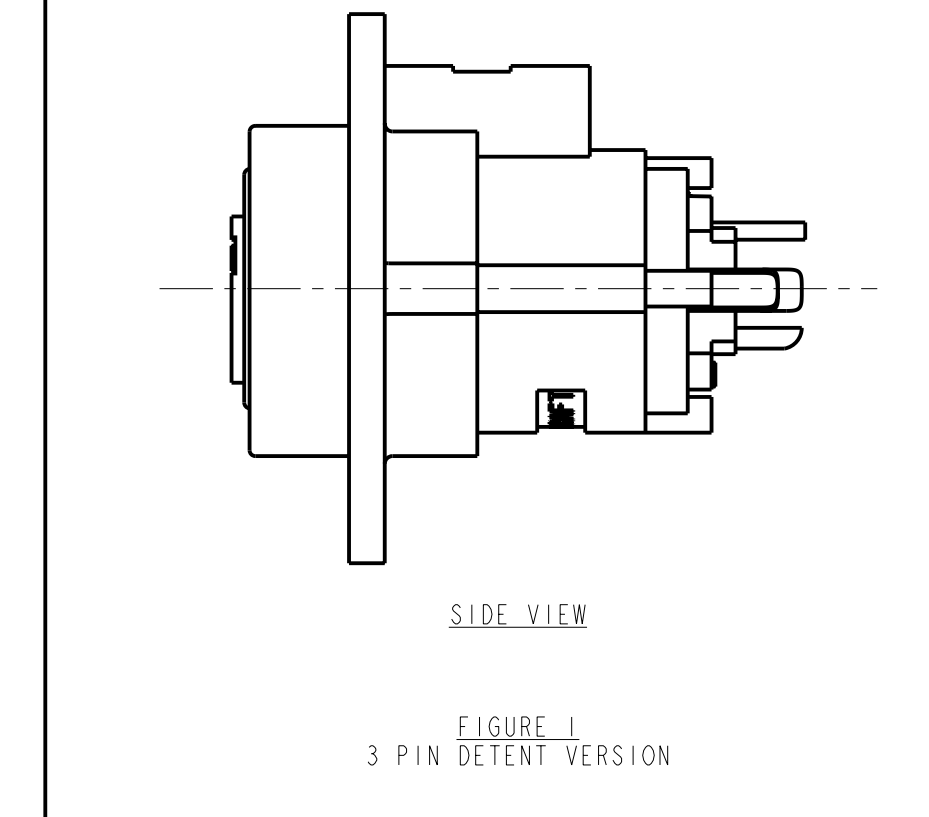
RECOMMENDED PANEL CUT-OUT

NOTES:

- 1. MAX. PANEL THICKNESS - 0.25.
- 2. ALL DIMENSIONS REF. UNLESS OTHERWISE SPECIFIED.



FRONT VIEW



SIDE VIEW

FIGURE 1  
3 PIN DETENT VERSION

**STANDARD SERIES**

SCREW - STAINLESS STEEL  
 SHELL - STAINLESS STEEL  
 LATCH BUTTON - ZINC, NICKEL PLATED  
 INSULATORS - POLYESTER, GREEN  
 SOLDER TERMINAL - BRASS, ELECTRO TIN PLATED  
 LATCH SPRING - STAINLESS STEEL  
 RECEPTACLE PIN - PHOSPHOR BRONZE, SILVER PLATED  
 HOUSING - ZINC, NICKEL PLATED

LATCH TYPE  
 BLANK = STANDARD LATCHLOCK  
 D = FAS-DIS-CONNECT DETENT (SEE FIG. 1)

NO. OF CONTACTS:  
 3 = 3 CONTACTS  
 4 = 4 CONTACTS  
 5 = 5 CONTACTS

CUSTOMER DRAWING

G	20627	3-22-96	SG	SG	★ STAR SYMBOL DENOTES CRITICAL DIMENSION	THIS DRAWING DESCRIBES A DESIGN CONSIDERED PROPRIETARY IN NATURE, DEVELOPED AND MANUFACTURED BY SWITCHCRAFT INC. AND IS RELEASED ON A CONFIDENTIAL BASIS FOR IDENTIFICATION PURPOSES ONLY.
F	ECO #20118	8-16-95	GHJ	GHJ	UNLESS OTHERWISE SPECIFIED	
E	ECO #20032	8-2-95	GHJ	GHJ	1. ALL DIMENSIONS IN INCHES - TWO PLACE DECIMALS ±0.01 - THREE PLACE DECIMALS ±0.005 - FRACTIONAL DIMENSIONS ±1/64 - ANGLES ±1° - ALL DIA. CONCENTRIC WITHIN 0.005 T.I.R.	SIZE WIDTH MULT LBS/M TEMPER
D	ECO #19993	7-1-95	GHJ	GHJ	2. FEATURES ON THE SAME CENTERLINE MUST BE ALIGNED WITHIN ±0.002	FINISH SPEC No. MATERIAL SPEC No.
C	ECO #19851	5-13-95	GHJ	GHJ	3. REMOVE ALL BURRS	FIRST USED ON SCALE 2:1
H	22895	10-1-12	TO	TJK	DO NOT SCALE DRAWING	DATE DRAWN BY CHKD APVD 30-Aug-94 SG 8-31-94 8-31-94
REV	ECO NUMBER	DATE	BY	APVD		NAME Y SERIES FEMALE QG REAR PANEL MOUNT PART No. Y_F SERIES REV H