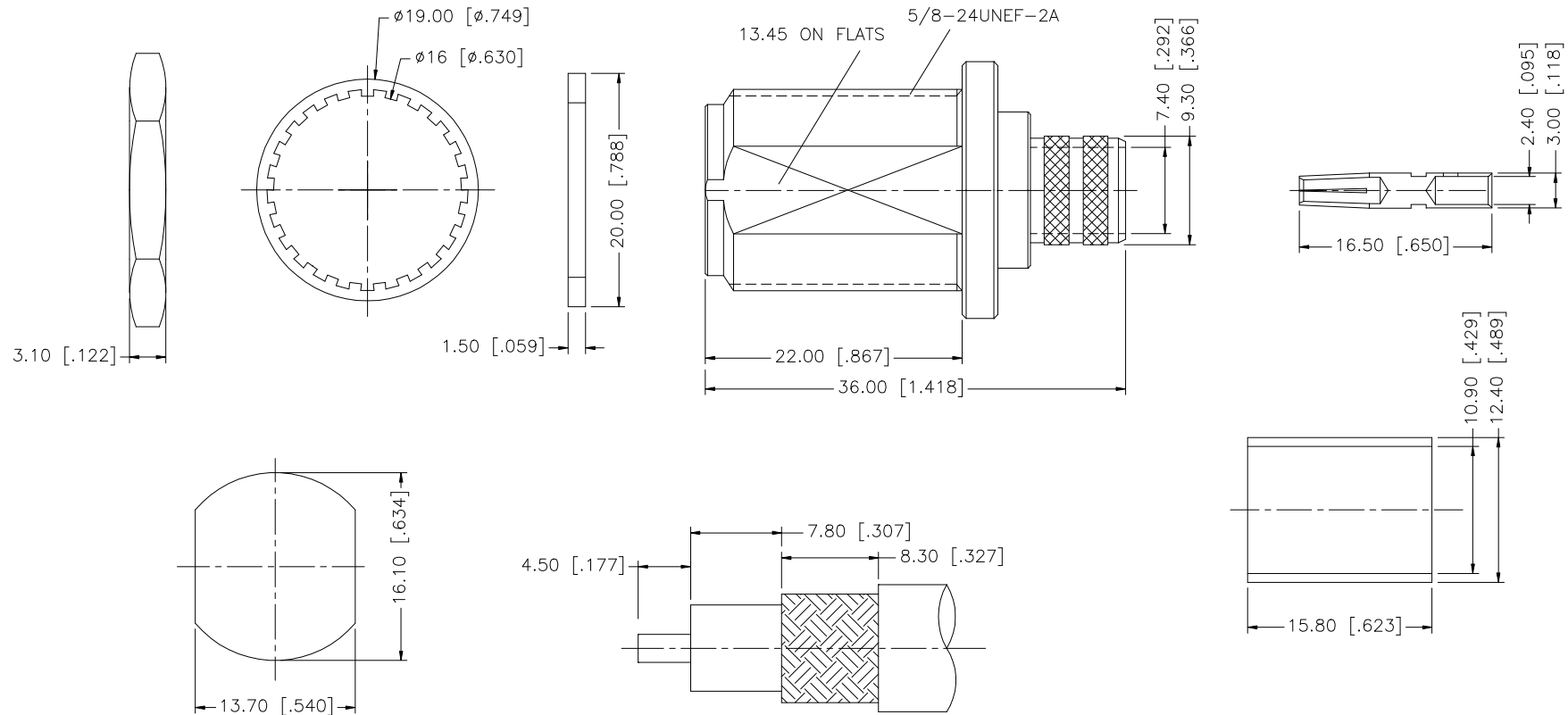


| REV. | DATE | DESCRIPTION |
|------|----------|-----------------------|
| NC | 07/31/96 | INITIAL RELEASE |
| A | 11/16/05 | UPDATE DRAWING FORMAT |



RECOMMENDED MOUNTING HOLE

RECOMMENDED CABLE STRIPPING DIMS.

NOTE:

1. CRIMPED FERRULE
HEX CRIMP SIZE .429"
2. HEX CRIMP SIZE .100"

| QTY | DESCRIPTION | MATERIAL | FINISH | QTY | DO NOT SCALE DRAWING | CAD FILE | DWG. NO. | REV. | SIZE | SCALE | | |
|-----|-------------|--------------|---------|-----|--|-----------|----------------|---|------|-------|----|----------|
| 1 | BODY | BRASS | NEXCOTE | 1 | UNLESS OTHERWISE SPECIFIED DIMENSIONS ARE IN MILLIMETERS. DIMENSIONS IN [] ARE IN INCHES AND FOR CUSTOMER REFERENCE ONLY. UNLESS OTHERWISE SPECIFIED TOLERANCES FOR MILLIMETERS ARE: 0.5 - 8mm ± 0.20mm 8 - 30mm ± 0.40mm 30 - 120mm ± 0.50mm UNLESS OTHERWISE SPECIFIED TOLERANCES FOR INCHES ARE: .020 - .315 = ± 0.007" .315 - 1.180 = ± 0.015" 1.180 - 4.724 = ± 0.020" | C: | 172/172108.DWG | 172108.DWG | NC | A | NA | |
| 1 | INSULATOR | TEFLON | NATURAL | 1 | | APPROVALS | DATE | Amphenol Connex PART DESCRIPTION N BULKHEAD CRIMP JACK (FOR 8/U, 8A/U 213/U CABLE) PART NO. 172108 | | | | |
| 1 | GASKET | SILICONE | RED | 1 | | DRAWN | G.R.S. | | | | | 11/16/05 |
| 2 | BARREL | BRASS | NEXCOTE | 1 | | CHECKED | | | | | | |
| 3 | HEX NUT | BRASS | NEXCOTE | 1 | | ISSUED | | | | | | |
| 4 | LOCK WASHER | BRASS | NEXCOTE | 1 | | SHEET | 1 OF 1 | | | | | |
| 5 | HEX NUT | BRASS | NEXCOTE | 1 | | | | | | | | |
| 6 | CONTACT PIN | PHOS. BRONZE | GOLD | 1 | | | | | | | | |
| 8 | FERRULE | COPPER | NEXCOTE | 1 | | | | | | | | |