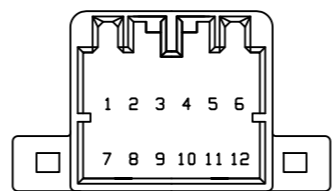
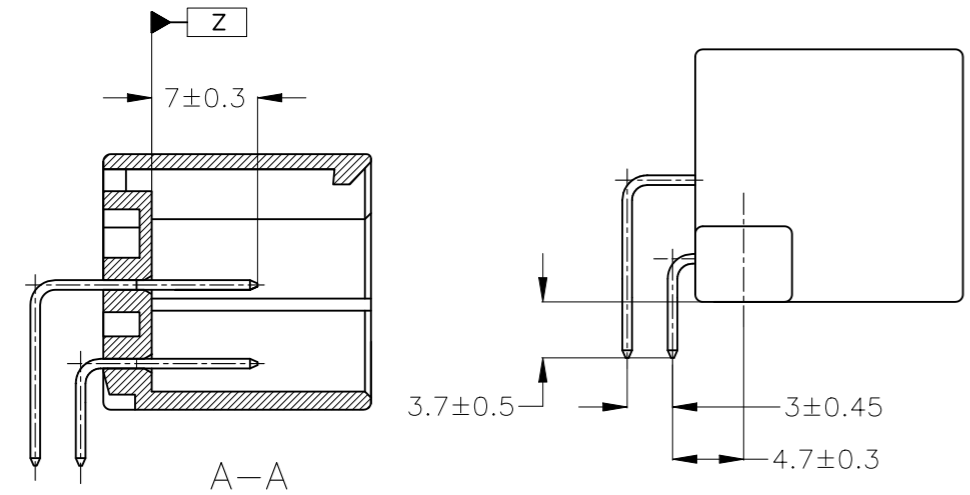
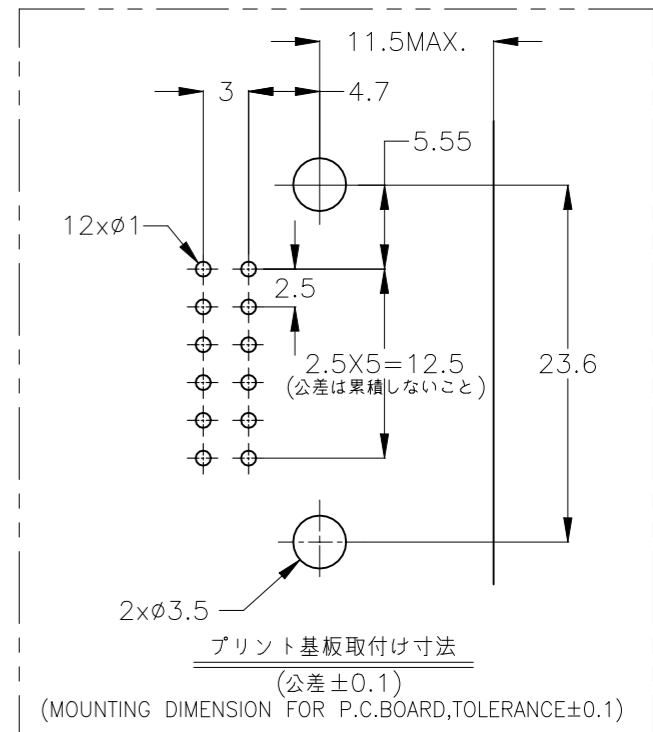
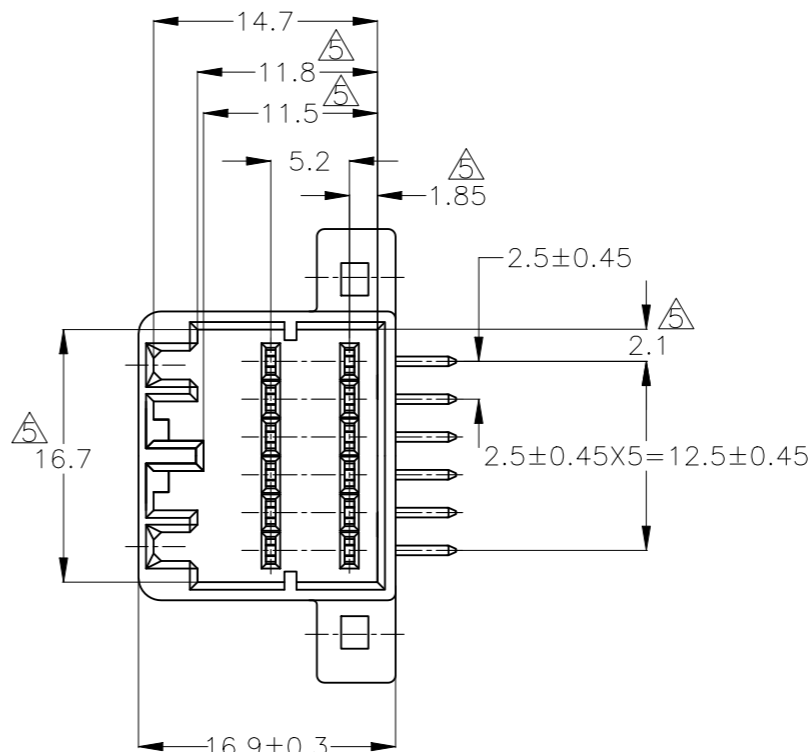
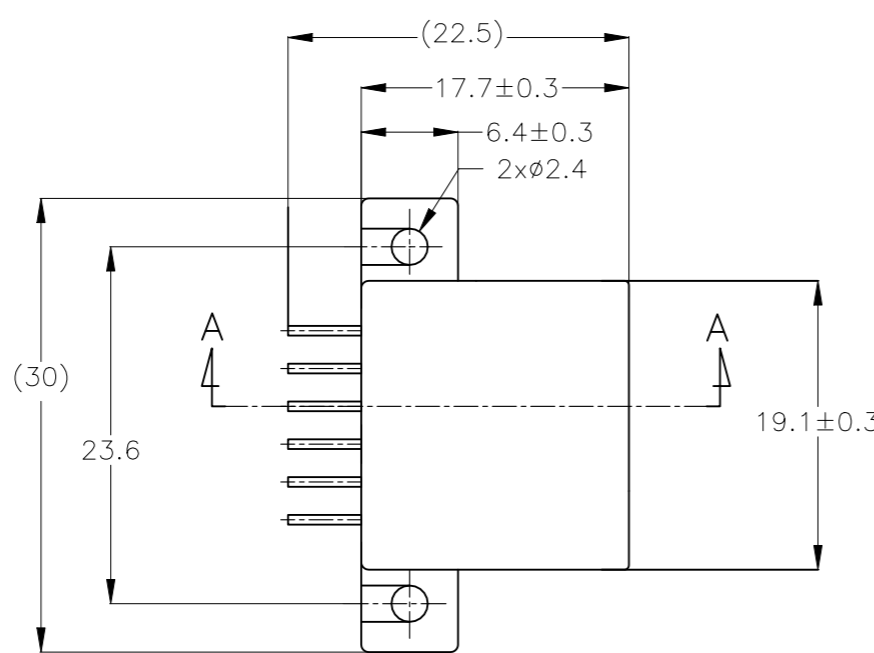
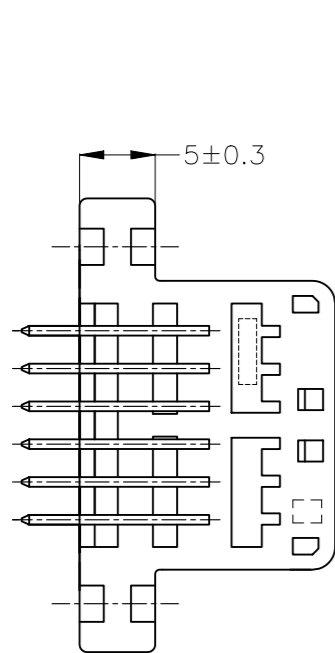


REVISIONS 変更					
P	LTR	DESCRIPTION	DATE	DWN	APVD
	E6	REVISED PER ECR-22-154840	05DEC2022	RK	MT



OBSOLETE	SELECTIVE-TIN (MATTE)	SELECTIVE GOLD X 12	1~12	BLACK	1-5175974-2
OBSOLETE	TIN-LEAD	PRE-TIN X 9	1, 2, 8	GREEN	2-175974-4
OBSOLETE	TIN-LEAD	PRE-TIN X 9	1, 2, 8	BLACK	2-175974-2
	SELECTIVE-TIN (MATTE)	SELECTIVE-TIN	-	BLACK	175974-3
		PRE-TIN	-	BLACK	175974-2
	SOLDERING SIDE 半田付け部	CONTACT SIDE 接触部側		GOLD PLATED CIRCUIT NO 金めっき回路番号	COLOR 色
	CONTACT FINISH コンタクト仕上				PART NUMBER 製品型番

- 1 APPLICABLE P.C.B. BOARD THICKNESS; 1.6mm
  - 2 RECOMMENDED MOUNTING SCREW 3mmDIA 6mmLENGTH(MIN) TAPPING SCREW SPECIFIED IN JIS B1115,B1122 (TIGHTENING TORQUE;0.392N·m MAX)
  - 3 THE MATING PLUG HSG PART NUMBER;175965
  - 4 APPLICABLE PRODUCT SPEC NO.;108-5281
- △ Zより2mmの範囲で測定。  
△ 回路番号：下図参照のこと。

TOLERANCE UNLESS OTHERWISE SPECIFIED: 一般公差

0 < * ≤ 10	: ±0.2
10 < * ≤ 30	: ±0.25
30 < * ≤ 100	: ±0.3
ANGLE 角度	: ±3°

THIS DRAWING IS A CONTROLLED DOCUMENT.

DIMENSIONS: 単位: 耗 mm	TOLERANCES UNLESS OTHERWISE SPECIFIED: 一般公差
0 PLC ±	1 PLC ±
2 PLC ±	3 PLC ±
4 PLC ±	ANGLES ±
MATERIAL 材料 HSG : PBT CONTACT : BRASS	FINISH 仕上 SEE TABLE

DWN A.YAMAGUCHI	20AUG04
CHK H.YAMAGAMI	20AUG04
APVD S.ISOHATA	20AUG04
PRODUCT SPEC 製品規格	108-5281
APPLICATION SPEC 取付適用規格	-
WEIGHT	4.3 g

<b>STE</b> TE Connectivity			
12POSITION CAP HOUSING ASSEMBLY(H-TYPE) 040 SERIES MULTILOCK I/O CONN MK-II			
SIZE	CAGE CODE	DRAWING NO 番号	RESTRICTED TO
A3	00779	C-175974	-
CUSTOMER DRAWING		SCALE 尺度 2:1	SHEET 1 OF 1 REV E6