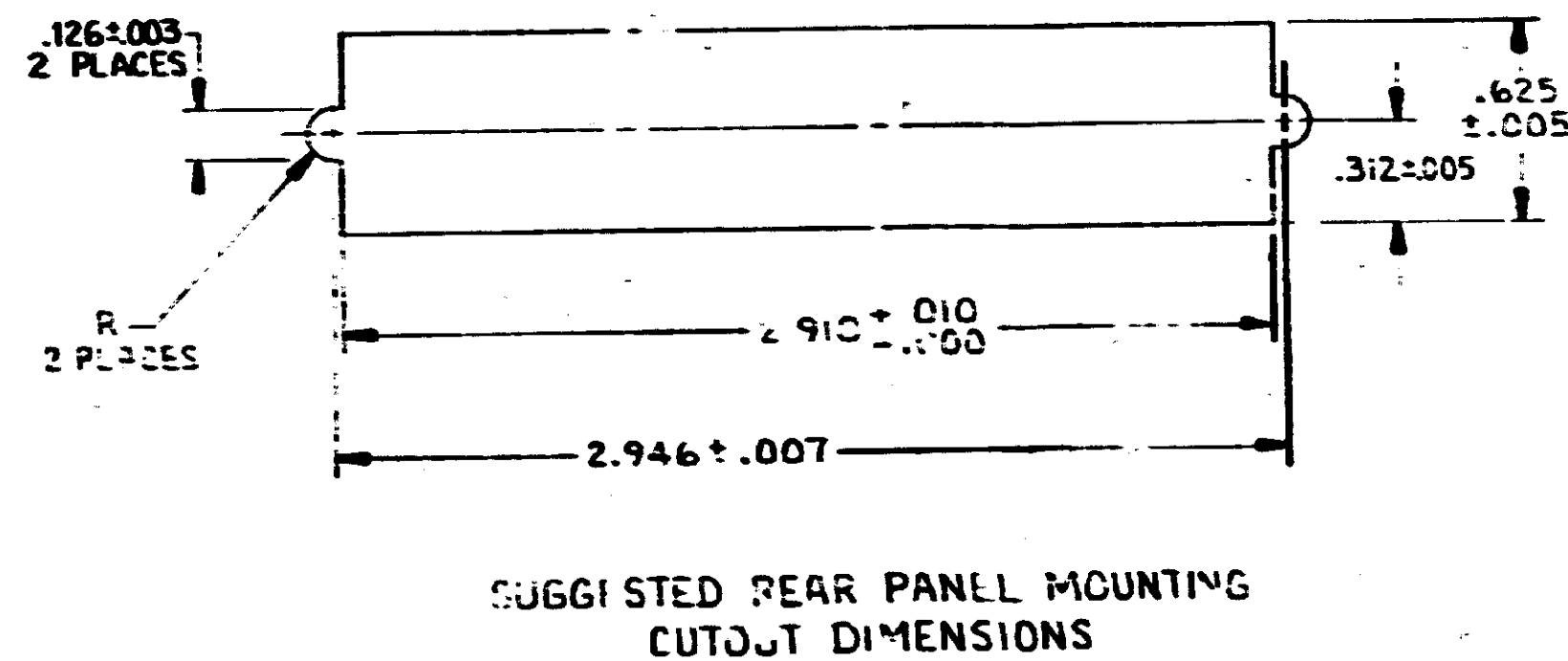
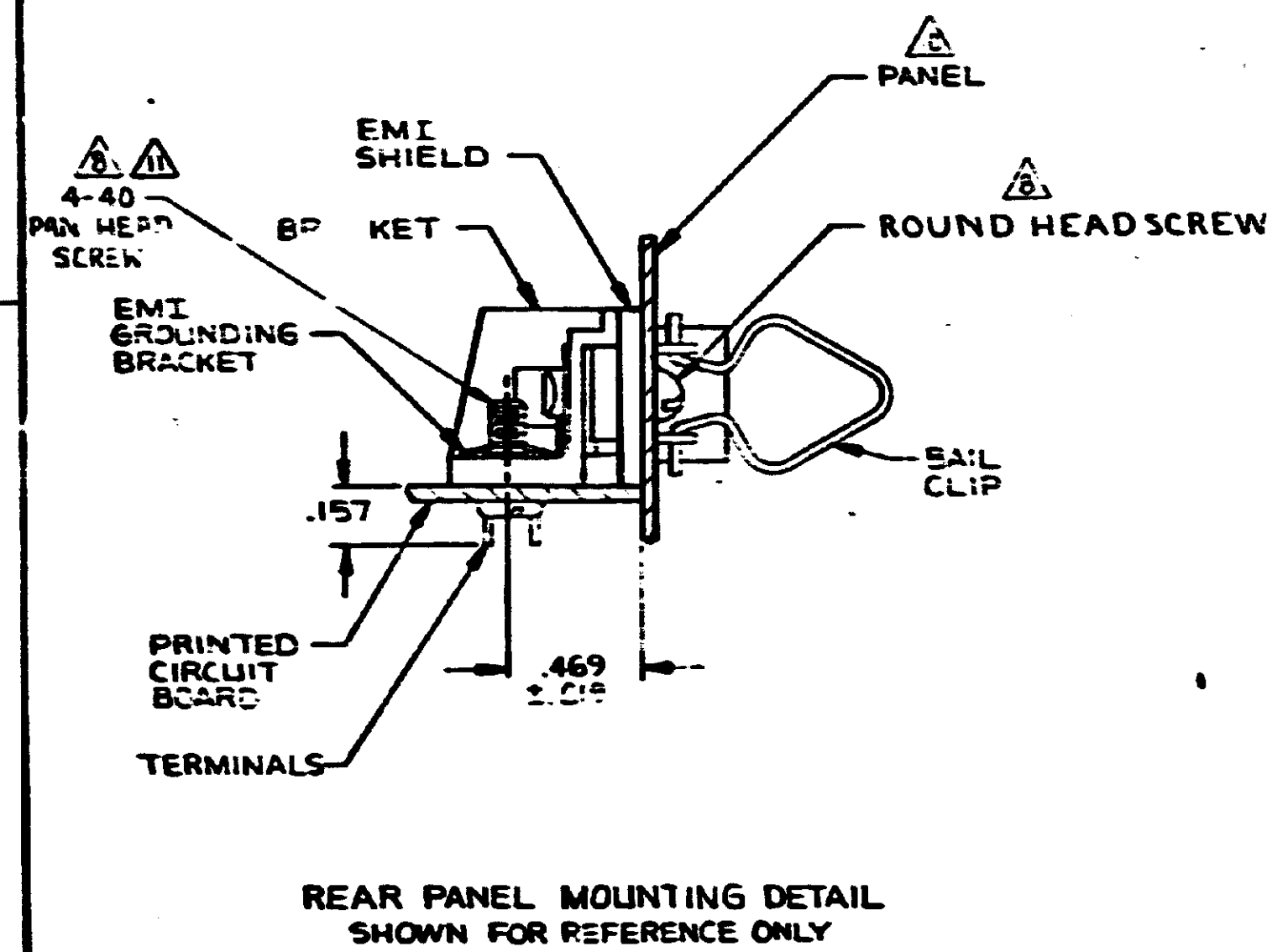
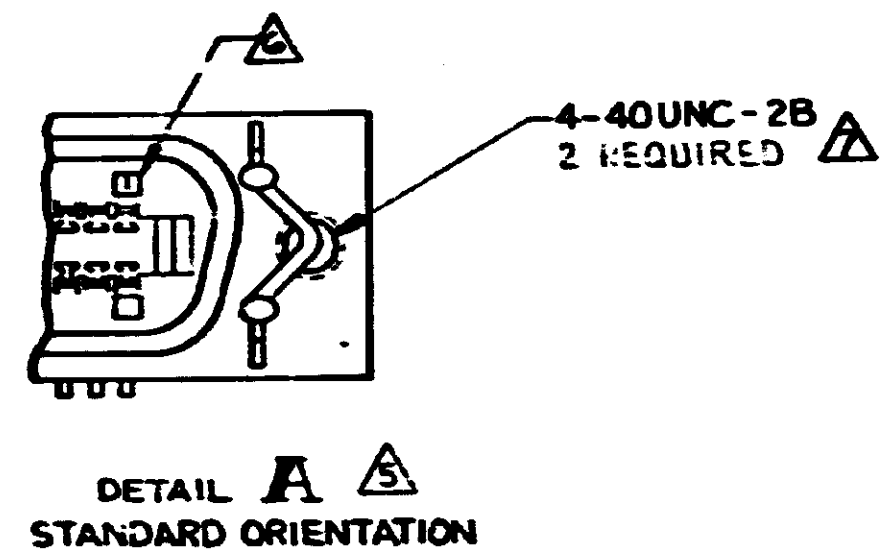


- ⚠ MATERIAL: HOUSING, BRACKET, ADAPTER COMB AND TERMINAL SUPPORT PLATE-THERMOPLASTIC (BLACK)
EMI SHIELD-BRIGHT NICKEL OVER COPPER PLATED DIE CASTING.
TERMINALS-TAILS-TIN LEAD OVER NICKEL PLATED HIGH STRENGTH COPPER ALLOY.
MATING SURFACE-LOCALIZED GOLD OVER NICKEL PLATED HIGH STRENGTH COPPER ALLOY.
BAIL CLIPS-PASSIVATED STAINLESS STEEL.
- 2. THE CONTACT SURFACES OF THE TERMINALS ARE COATED WITH LUBRICANT.
- 3. CENTER-TO-CENTER SPACING OF TERMINALS IS .085 NOMINAL.
- 4. ALL DIMENSIONS SHOWN ARE MAXIMUM UNLESS OTHERWISE SPECIFIED.
- ⚠ DETAIL A IS VIEWED FROM MATING SIDE OF RECEPTACLE ASSEMBLY.
- ⚠ TERMINAL 1 LOCATED IN THIS ROW FOR STANDARD ORIENTATION.
- ⚠ HOLES ARE TAPPED AFTER PLATING.
- ⚠ SCREWS SHOWN FOR REFERENCE ONLY. RECOMMENDED HARDWARE KIT 554273-2 FOR USE WITH THIS PART NUMBER.
- 9. BAIL CLIPS & EMI SHIELD ARE ASSEMBLED TO CONNECTOR BEFORE SHIPMENT.
- ⚠ PANEL THICKNESS RANGE: .062 MAX.
- ⚠ STAINLESS STEEL SCREWS RECOMMENDED BECAUSE OF CONTACT WITH SOLDER BATH.



UNLESS OTHERWISE SPECIFIED DIMENSIONS ARE IN INCHES.		CONTRACT NO.		554901-1	
TOLERANCES ON:		DATE		PART NO.	
DECIMALS: .005		11-12-85			
ANGLES: .005		DESIGNED BY		NAME	
		R. Blahut 11/12/85		RECEPTACLE ASSEMBLY, SHIELDED, 50 POSITION, BAIL LOCK, RIGHT ANGLE, PANEL MOUNTING, PRINTED CIRCUIT BOARD, CHAMP	
OTHER APP'D		DESIGN APP'D		SIZE	
		J. Blahut 11/12/85		D	
				FSCM NO	
				00779	
				DRAWING NO	
				554901	
				SCALE	
				2:1	
				SHEET 1 OF 1	