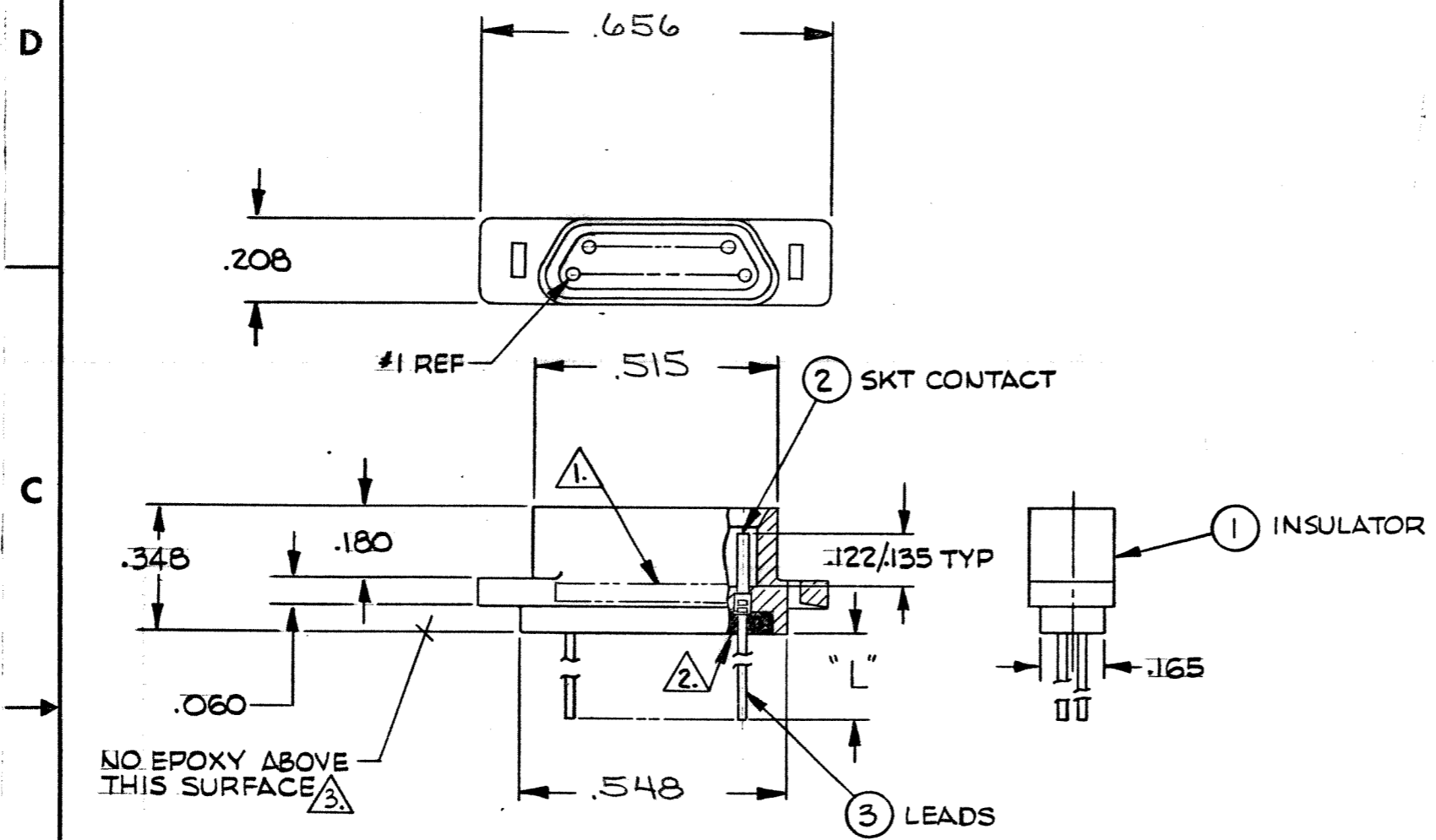
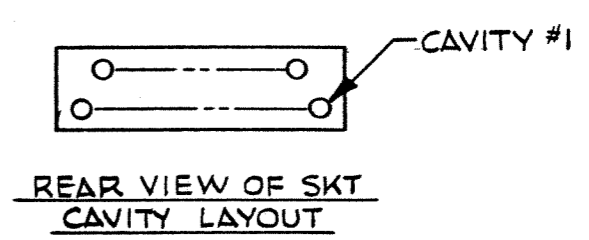


REVISIONS					
ZONE	LTR	ECO	DESCRIPTION	DATE	APPROVED
	A	19891	RELEASED	7-8-75 MD	9-10-75



- NOTES:**
- 1. MARK "MALCO" OR MALCO LOGO, PART NO. & DATE CODE WITH .047 MIN. HIGH CHARACTERS IN APPROX LOCATION SHOWN
 - 2. EPOXY AS SHOWN WITH HYSOL #4215 AND #3561
 - 3. EPOXY WICKING FROM THE REAR OF THE INSULATOR ON INSULATED LEADS MUST NOT EXCEED .125 MAX ON #25 AWG AND SMALLER LEADS AND .200 MAX ON #24AWG AND LARGER LEADS
 - 4. CRIMP LEADS INTO CONTACTS PER DWG. 096-0000-0024



Tyco Dwg 7-1532148-5
Micro P/N 095-0000-0313

QTY REQD	CODE IDENT	PART OR IDENTIFYING NO.	NOMENCLATURE OR DESCRIPTION
PARTS LIST			
UNLESS OTHERWISE SPECIFIED DIMENSIONS ARE IN INCHES TOLERANCES ARE: FRACTIONS DECIMALS ANGLES ± 1/64 .XX ± .01 ± 0°-30'		CONTRACT NO.	MALCO A MICRODOT COMPANY, INC. 220 PASADENA AVE., SO. PASADENA, CALIF. 91030
MATERIAL		APPROVALS DATE	
FINISH		DRAWN <i>M. Dąrowski</i> 7-8-75	RACK AND PANEL CONN. MCDG2-15 S CLIP MOUNTING
NEXT ASSY USED ON		CHECKED <i>[Signature]</i>	
APPLICATION		APPD. <i>[Signature]</i> 7-8-75	PROD. CODE 824
DO NOT SCALE DRAWING		SIZE B CODE IDENT NO. 98278 DRAWING NO. 095-0000-0313	CODE
		SCALE NONE	SHEET 1 OF 1