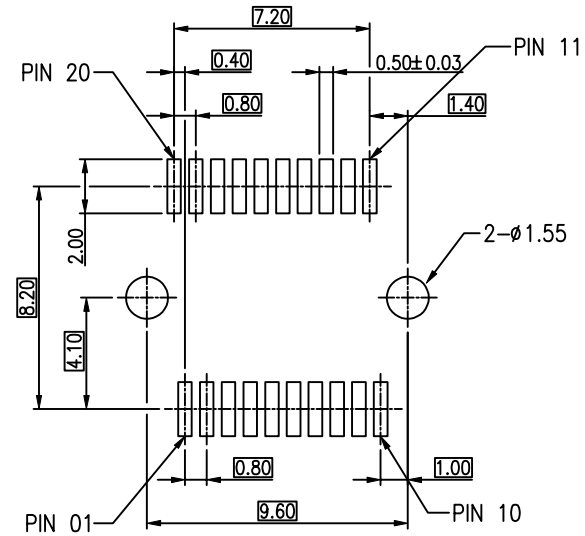
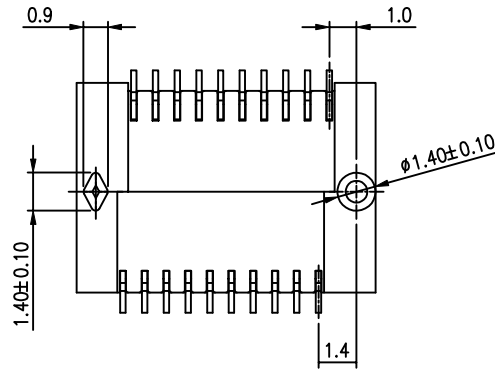
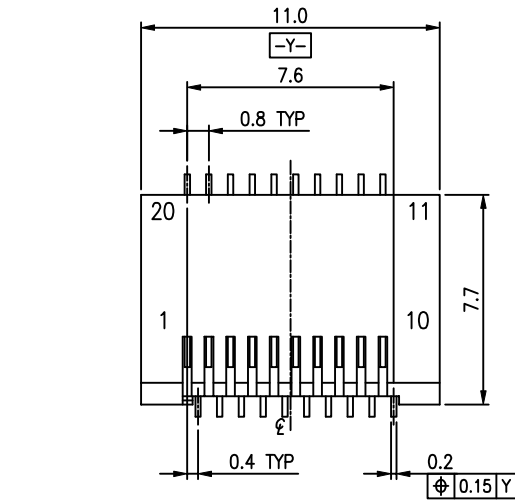
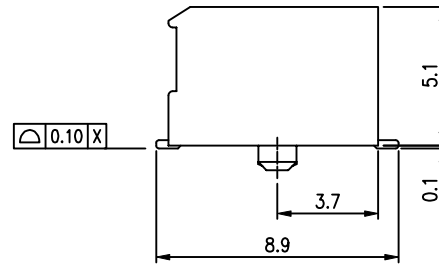
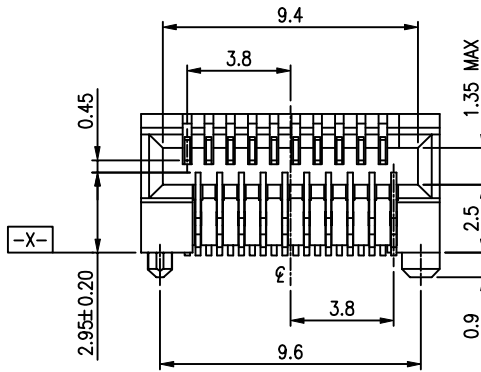


REVISION RECORD		
REV	DESCRIPTION	DRFT
10	NEW RELEASE	Alice 02/24/2010



RECOMMENDED PCB LAYOUT
Tolerance:±0.05



Material:

1. Insulator: Glass-Reinforced Thermoplastic, UL 94V-0, Color: Black.

2. Contact: Copper Alloy.

Contact Plating: Gold Plating on Contact Area.

Over Nickel underplating overall.

3. ROHS Compliant

4. Durability: 250 cycles min.

Electrical:

1. Voltage Rating: 100VAC.

2. Current Rating: 1A.

3. Contact Resistance: 40 milliohms Max.

4. Dielectric Withstanding Voltage: 500VAC Min.


5. Insulation Resistance: 1000 Megaohms Min.

Environmental:

1. Temperature Range: -40°C to +85°C.

PART NO.:

PART NUMBER	REV	GOLD PLATING
SFPC-2001-L	A	30u"

MM (INCH)		DFTO Alice	DATE 02/24/2010		RoHS Compliant
TOLERANCES EXCEPT AS NOTED		CHKD Ashelly	DATE 03/03/2010		
MM		APPVL TimLee	DATE 03/03/2010	TITLE	
.0 ± 0.20	±	MATERIAL :			
.00 ± 0.15	±	QT'Y :		DRAWING NO. SFPC-2001-L	
.000 ± 0.075	±	FINISH :			
ANGLES ± 0.5°		SCALE : 5:1		DO NOT SCALE DRAWING	
THIRD ANGLE PROJECTION				SHEET 1 OF 1	