

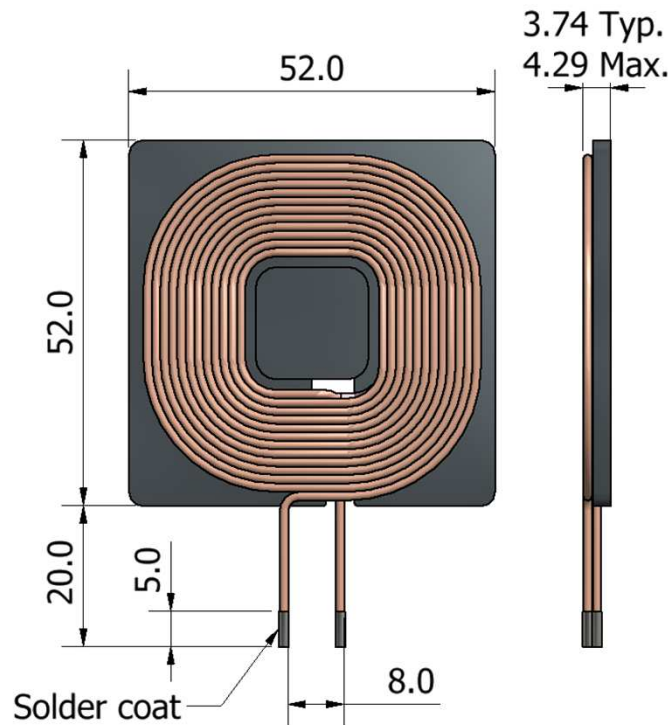
# **TDK Proposal for TDK STD**

**TDK Part No: WT525225-12F2-MA2-G**

**TDK R&D center  
Wireless Charging Team  
2016/01/22**

(2016-01-22)

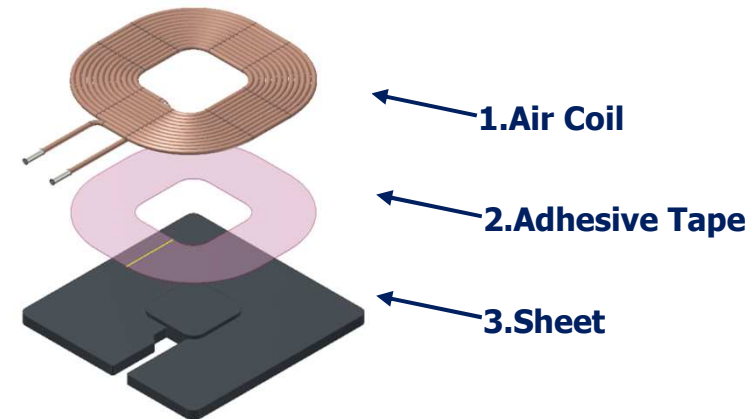
## = Dimension of coil unit =



## = Coil unit Assembly=

Unit : mm

Stack	TDK Item	Typ.	Max.
1	Coil+Resin	1.100	1.400
2	Adhesive Tape	0.135	0.142
3	Main Sheet (FK2)	2.500	2.750
Total Thickness		3.74	4.29



## = Electrical Characteristics=

- $L_s$  [ uH ] : 10.5 uH typ @100kHz
- $R_s$  [ ohm ] : 0.06  $\Omega$  typ @100kHz