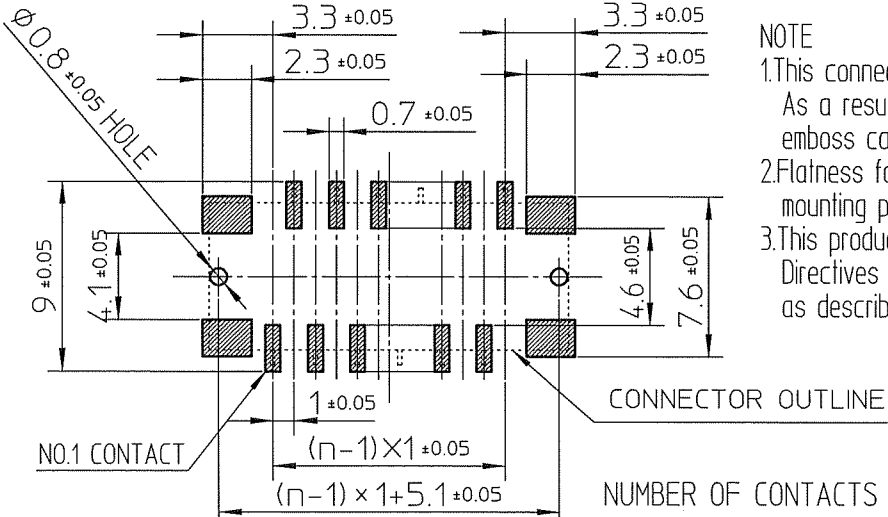


| PT. NO. | PARTS NAME | MATERIAL | Q'TY | NOTE |
|---------|----------------|--|------|---|
| 1 | HOUSING | GLASS FILLED THERMOPLASTIC RATED.(UL94V-0) | 1 | COLOR:BRACK |
| 2 | CONTACT | PHOSPHOR BRONZE | n | PLATING CONTACT AREA:GOLD OVER NICKL TERMINAL AREA:TIN(LEAD FREE) |
| 3 | MOUNTING PLATE | BRASS | 2 | PLATING:TIN (LEAD FREE) |

n:NO. OF CONTACTS

RECOMMENDED PC BOARD LAYOUT
(COMPONENT SIDE)



NOTE
 1.This connector is symmetric for X,Y axis.
 As a result, It is possible to locate in
 emboss cavity even if rotated condition.
 2.Flatness for contact terminal and
 mounting plate must be within 0.1.
 3.This product meets European Union
 Directives and other country regulations
 as described in GS-22-008.

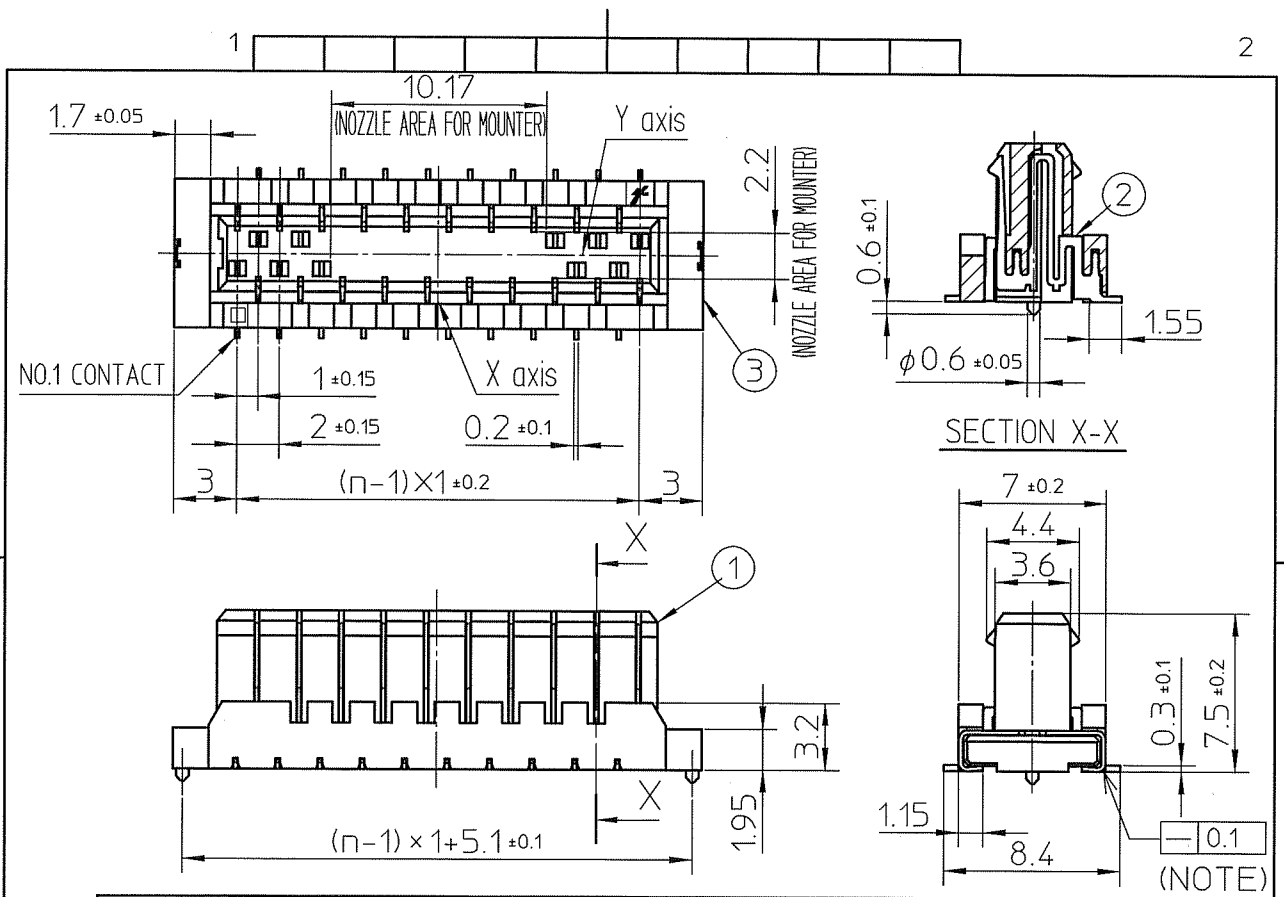
NUMBER OF CONTACTS : 10 TO 16 , ONLY EVEN POS.

| | | | | | | | | | | |
|-------------|----------------|-----------------------|------------|-------------------------------|------------|---------------------------------------|-------|--|--|----------|
| mat'l. code | | surface ISO 1302 ✓ | | tolerance ISO 406 ISO 1101 | | projection | | product family 590F | | |
| ltr | ecn no | dr | date | | | tolerances unless otherwise specified | | title | | |
| A | J06-0146 | M.K | Apr.11,'06 | | | | | FLOATING BOARD TO BOARD PLUG CONNECTOR (GOLD PLATING AND LEAD FREE) | | |
| B | J07-0021 | M.K | Jan.15,'07 | | | angles linear ±0.3 | | (Cat.No. BTFW__P-3SBTALF) | | |
| | | dr | K.Higuchi | | Jan.15,'07 | | scale | | dwg no JSA 96388 sheet 1 of 2 size A4 type Product Customer Drawing | |
| | | enr | M.Koga | | Jan.15,'07 | | FCJ | | | |
| | | chr | K.Higuchi | | Jan.15,'07 | | | | | |
| | | appd | M.Koga | | Jan.15,'07 | | | | | |
| sheet index | revision sheet | B | B | | | | | | | Rev B |



FCJconnect.com

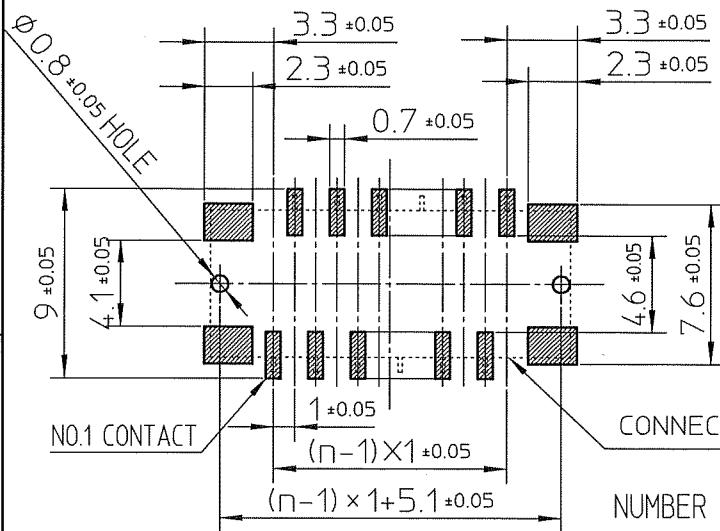
Copyright FCJ



| PT. NO. | PARTS NAME | MATERIAL | Q'TY | NOTE |
|---------|----------------|--|------|---|
| 1 | HOUSING | GLASS FILLED THERMOPLASTIC RATED.(UL94V-0) | 1 | COLOR:BRACK |
| 2 | CONTACT | PHOSPHOR BRONZE | n | PLATING CONTACT AREA:GOLD OVER NICKL TERMINAL AREA:TIN(LEAD FREE) |
| 3 | MOUNTING PLATE | BRASS | 2 | PLATING:TIN (LEAD FREE) |

n:NO. OF CONTACTS

RECOMMENDED PC BOARD LAYOUT
(COMPONENT SIDE)



NOTE

- 1.This connector is symmetric for X,Y axis. As a result, It is possible to locate in emboss cavity even if rotated condition.
- 2.Flatness for contact terminal and mounting plate must be within 0.1.
- 3.This product meets European Union Directives and other country regulations as described in GS-22-008.

NUMBER OF CONTACTS : 18 TO 30 , ONLY EVEN POS.

| | | | | | | | | | |
|-------------|----------------|--------------------|------------|---------------------------------------|--------|------------|--------------|--|------------------|
| mat'l. code | | surface ISO 1302 ✓ | | tolerance ISO 406 ISO 1101 | | projection | | product family 590F | |
| ltr | ecn no | dr | date | tolerances unless otherwise specified | | title | | FLOATING BOARD TO BOARD PLUG CONNECTOR (GOLD PLATING AND LEAD FREE) (Cat.No. BTFW_P-3SBTALF) | |
| A | J06-0146 | M.K | Apr.11,'06 | angles | linear | ± 0.3 | scale | | dwg no JSA 96388 |
| B | J07-0021 | M.K | Jan.15,'07 | | | | sheet 2 of 2 | | |
| | | dr | K.Higuchi | Jan.15,'07 | | | sheet 2 of 2 | | A4 |
| | | enr | M.Koga | Jan.15,'07 | | | | | |
| | | chr | K.Higuchi | Jan.15,'07 | | | | | |
| | | appd | M.Koga | Jan.15,'07 | | | | | |
| sheet index | revision sheet | B | B | | | | | Rev B | |