

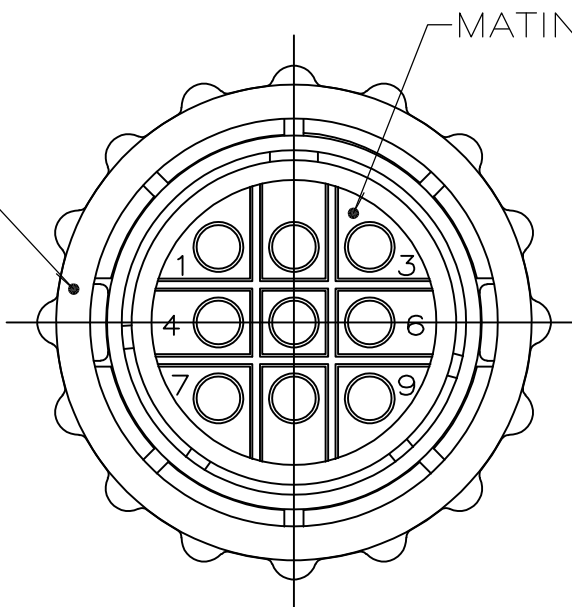
THIS DRAWING IS UNPUBLISHED. RELEASED FOR PUBLICATION
 © COPYRIGHT - By - ALL RIGHTS RESERVED.

LOC	DIST	REVISIONS					
FT	0	P	LTR	DESCRIPTION	DATE	DWN	APVD
			D3	REVISED PER ECO-11-004917	11MAR11	RK	HMR

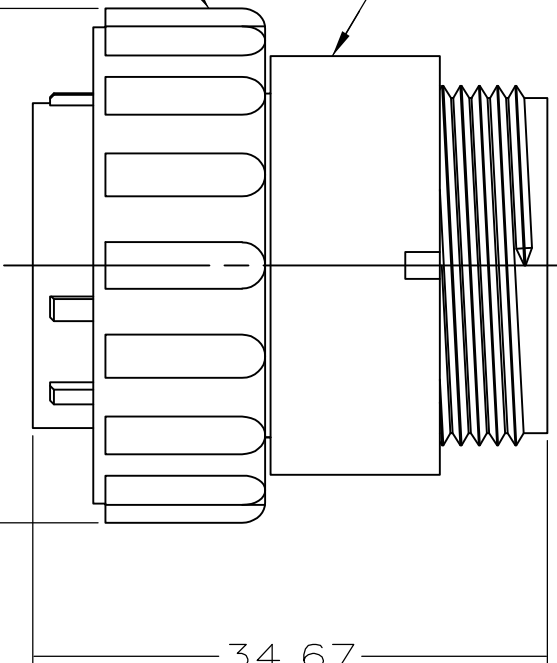
COUPLING RING
 MATERIAL: SEE TABLE

PLUG HOUSING
 MATERIAL: GLASS FILLED NYLON,
 6/6, BLACK

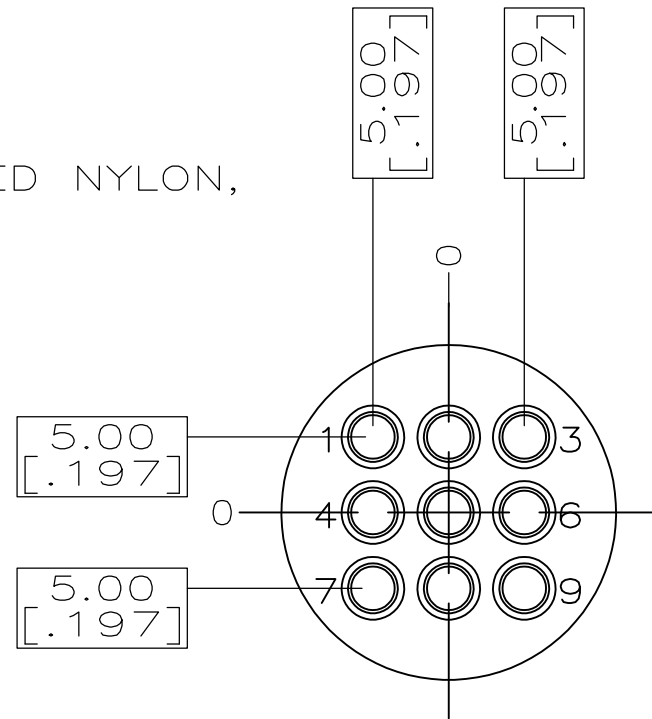
AMP PART NO
 THIS SURFACE



34.26
 [1.349]
 MAX DIA



34.67
 [1.365]
 MAX



MATING FACE
 CONFIGURATION

- CONTACT CAVITIES IDENTIFIED BY CHARACTERS ON FRONT AND REAR FACES OF CONNECTOR.
- THIS PART WILL ACCEPT 9 MULTIMATE PIN CONTACTS.

SUPERSEDED BY 211768-1	DIE CAST ZINC	-211768-2
	POLYESTER, BLACK	211768-1
	COUPLING RING MATERIAL	PART NUMBER

THIS DRAWING IS A CONTROLLED DOCUMENT.		DWN K.FOLTZ 06/29/94	STE TE Connectivity															
DIMENSIONS: mm [INCHES]		CHK R.STONE 06/30/94																
TOLERANCES UNLESS OTHERWISE SPECIFIED:		APVD -	NAME PLUG ASSY, SPECIAL VDE, CLASS A, REVERSE SEX, ARRANGEMENT 17-9, CPC															
<table border="0"> <tr><td>0 PLC</td><td>± -</td></tr> <tr><td>1 PLC</td><td>± -</td></tr> <tr><td>2 PLC</td><td>± -</td></tr> <tr><td>3 PLC</td><td>± -</td></tr> <tr><td>4 PLC</td><td>± -</td></tr> <tr><td>ANGLES</td><td>± -</td></tr> </table>		0 PLC	± -	1 PLC	± -	2 PLC	± -	3 PLC	± -	4 PLC	± -	ANGLES	± -	PRODUCT SPEC -	SIZE A3	CAGE CODE 00779	DRAWING NO C-211768	RESTRICTED TO -
0 PLC	± -																	
1 PLC	± -																	
2 PLC	± -																	
3 PLC	± -																	
4 PLC	± -																	
ANGLES	± -																	
MATERIAL -		FINISH -	WEIGHT -	CUSTOMER DRAWING		SCALE 2:1	SHEET 1 OF 1	REV D3										