

MATERIALS & SPECIFICATIONS

|          |            |     |        |          |     |
|----------|------------|-----|--------|----------|-----|
| PART NO. | A22019-001 | REV | ECO    | DATE     | APP |
|          |            | D   | 104070 | 12-15-17 | TLM |

INSULATOR:

LIQUID CRYSTAL POLYMER (LCP) PER ASTM D5138.

CONTACT:

BERYLLIUM COPPER PER ASTM B194, C17200.  
GOLD PLATED PER ASTM B488, (HARD GOLD) TYPE II CODE C CLASS 1.27.

TERMINATION:

BERYLLIUM COPPER PER ASTM B194, C17200.  
MATTE SOLDER PLATED .0001 - .0002 THICK PER AMS-P-81728.

CURRENT CAPACITY:

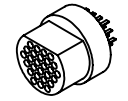
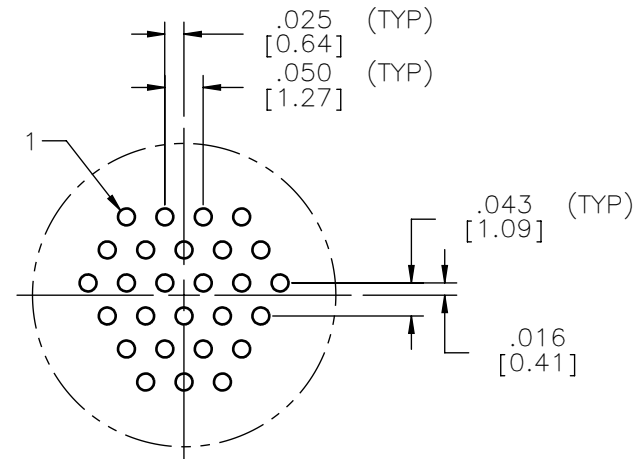
3 AMP MAX.

CONTACT RESISTANCE:

26 MILLIOHMS (65mV) MAX @ 2.5 AMPS.

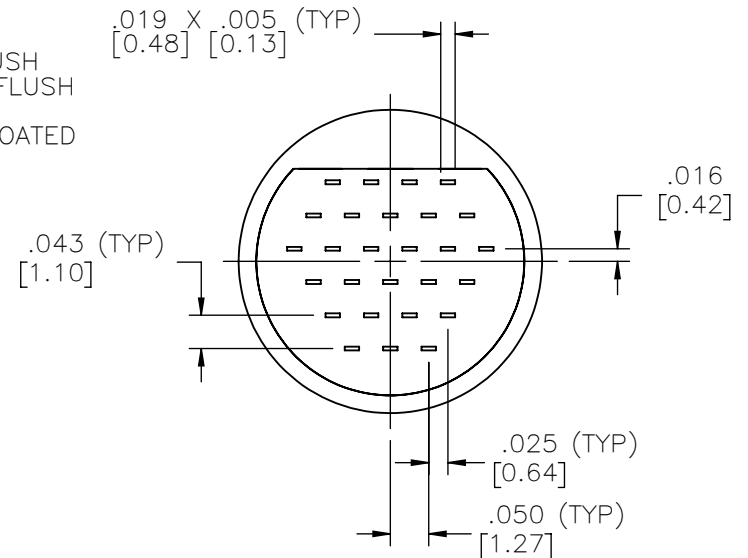
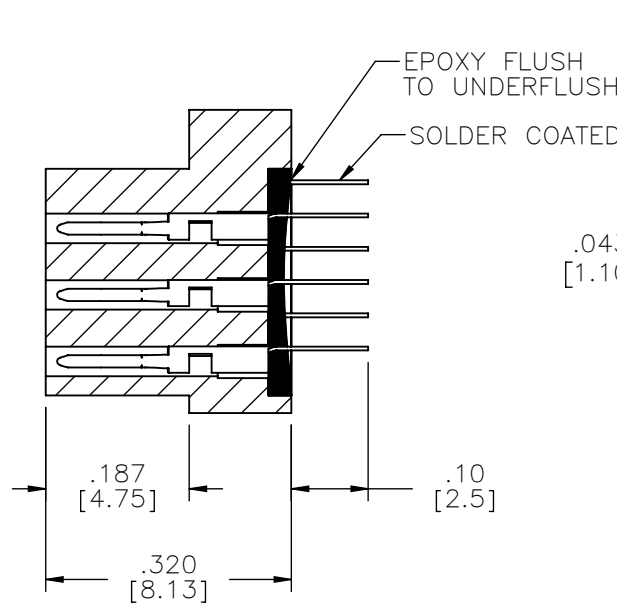
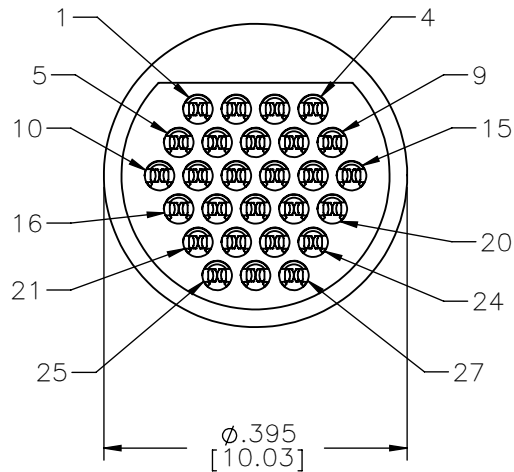
PERFORMANCE:

PRODUCT FAMILY TESTED TO AND PASSED THE PERFORMANCE SPECIFICATIONS OF TABLE VII OF MIL-DTL-83513.



ACTUAL SIZE

SUGGESTED HOLE PATTERN



REF: OMNETICS

NOTE:

DIMENSIONS IN [ ] ARE IN MILLIMETERS UNLESS OTHERWISE NOTED AND ARE FOR REFERENCE ONLY

|                     |  |
|---------------------|--|
| MCP<br>MCTS<br>SLDW | THIRD ANGLE  |
|                     | - TOLERANCES -<br>UNLESS OTHERWISE NOTED                             |
|                     | DIMENSIONS IN INCHES   |
|                     | 2 PL DEC ± .01<br>3 PL DEC ± .005<br>4 PL DEC ± .0005<br>ANGLES ± 1° |

THIS DRAWING CONTAINS CONFIDENTIAL AND PROPRIETARY INFORMATION WHICH IS THE PROPERTY OF OMNETICS CONNECTOR CORP. THIS DOCUMENT MAY NOT, IN WHOLE OR IN PART, BE DUPLICATED, OR DISCLOSED FOR ANY PURPOSE, WITHOUT WRITTEN PERMISSION FROM OMNETICS CONNECTOR CORP.

|           |      |          |
|-----------|------|----------|
| DFTM. TEP | DATE | 04-07-06 |
| CHK'D.    | DATE |          |
| APP'D.    | DATE |          |

TITLE:  
(27) PIN MALE  
MICRO CIRCULAR  
CONNECTOR

**OMNETICS**  
CONNECTOR CORPORATION  
7260 COMMERCE CIRCLE EAST  
MINNEAPOLIS, MN 55432  
WWW.OMNETICS.COM

|              |            |
|--------------|------------|
| CAGE CODE    | 61873      |
| DWG NO.      | A22019-001 |
| SHEET 1 OF 1 | REV D      |
| SCALE:       | 4:1        |