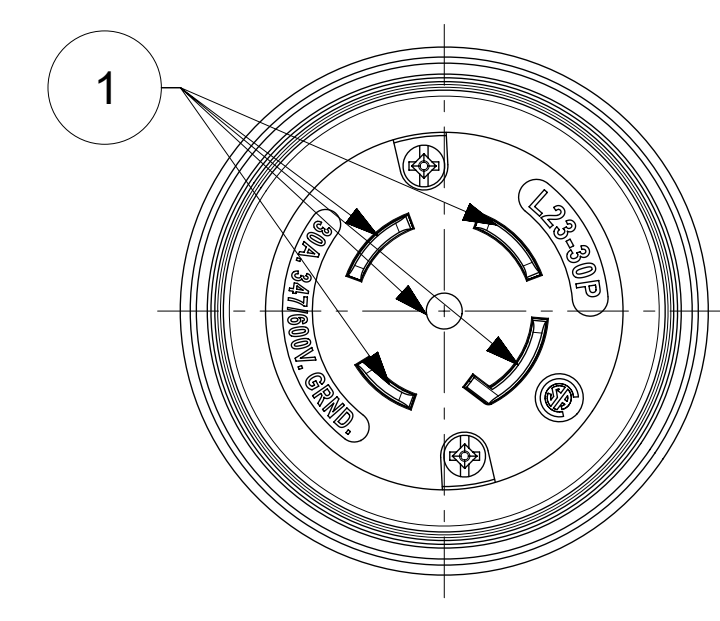
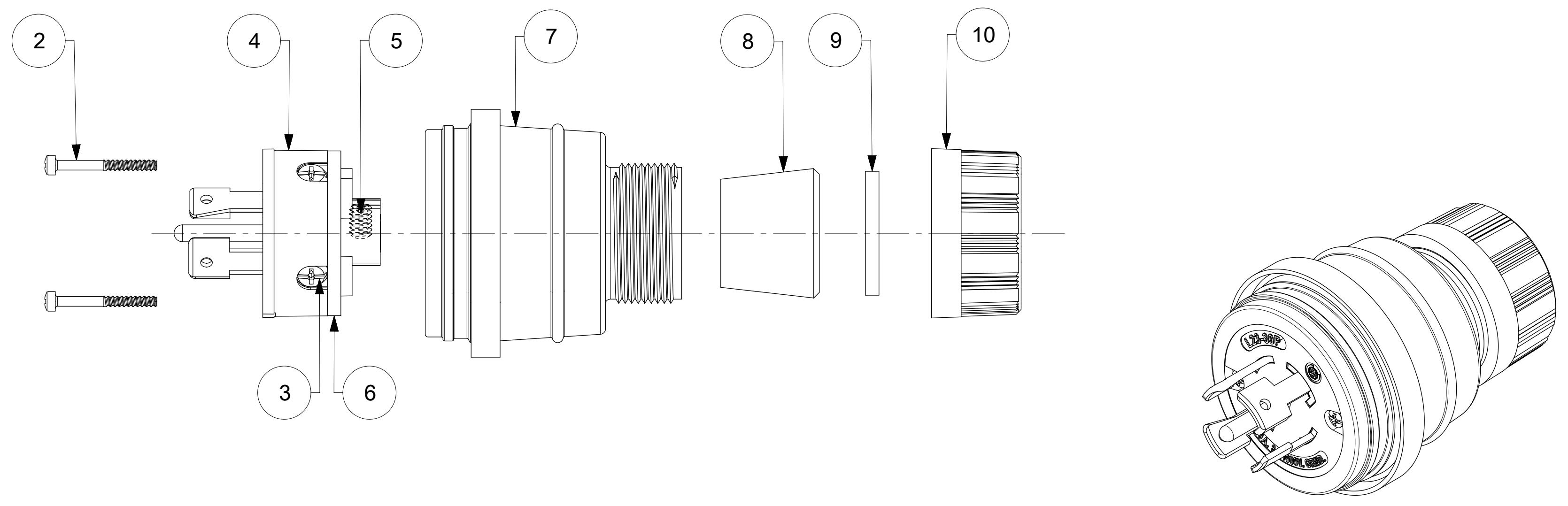
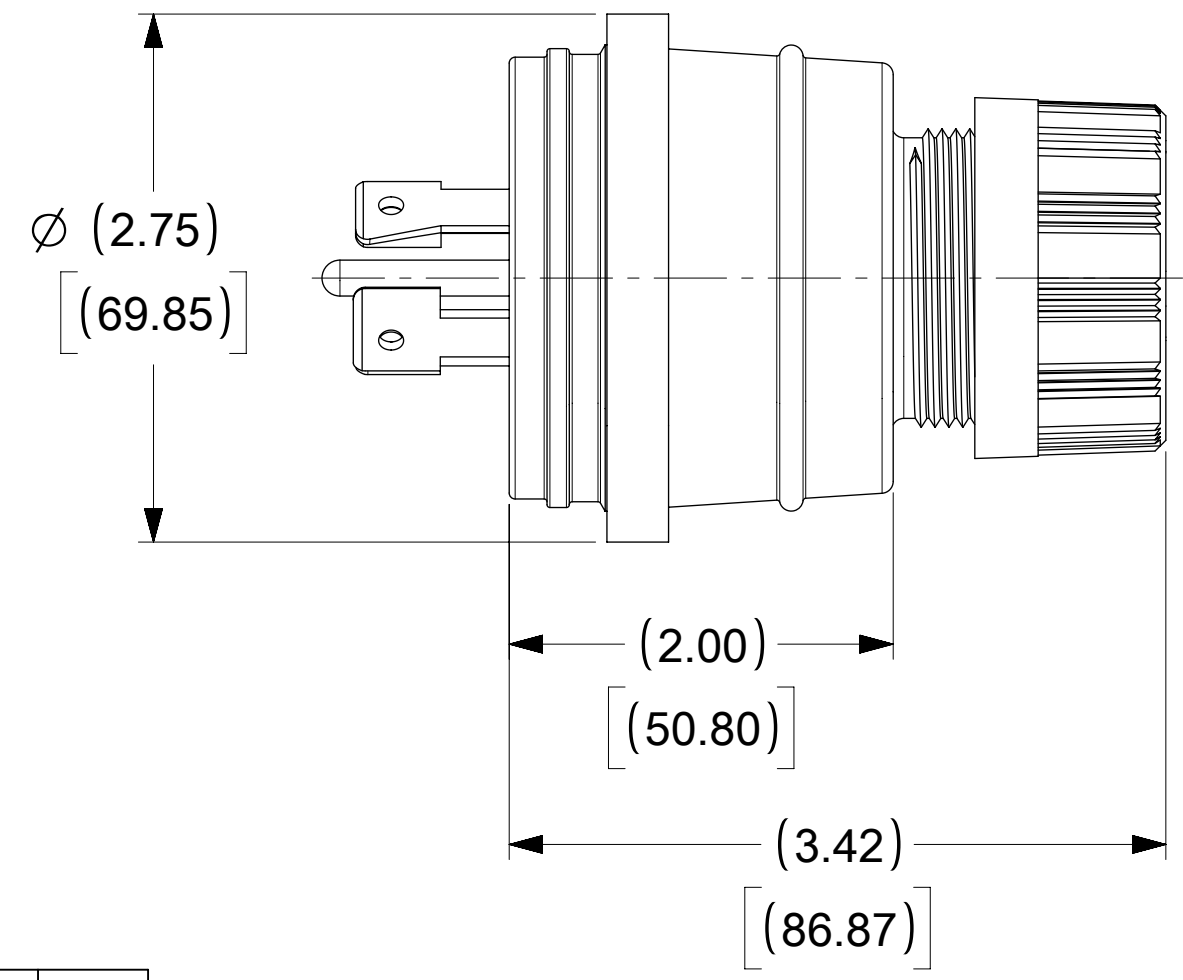


ORDER NO.	WOODHEAD NO.	COLOR
130147-0289	28W83-P	YELLOW



FACE VIEW



ITEM NO.	DESCRIPTIONS	MATERIAL	QTY.
1	BLADE	BRASS, NICKEL PLATED	5
2	RETAINING SCREWS	STAINLESS STEEL	2
3	CLAMP AND TERMINAL SCREW ASSY	BRASS, ZINC PLATED	4
4	INSERT	NYLON	1
5	SET SCREW	STAINLESSSTEEL	1
6	TERMINAL COVER	POLYCARBONATE	1
7	HOUSING	SILICON WITH NYLON THREAD	1
8	GROMMET	RUBBER	1
9	FRICTION RING	NYLON	1
10	COMPRESSION NUT	NYLON	1

<b>SYMBOLS</b> THIS DRAWING CONTAINS INFORMATION THAT IS PROPRIETARY TO MOLEX ELECTRONIC TECHNOLOGIES, LLC AND SHOULD NOT BE USED WITHOUT WRITTEN PERMISSION DIMENSION UNITS: INCH[MM] SCALE: NTS CURRENT REV DESC: RELEASED		 WTRTT PLUG 4P5W L23-30
GENERAL TOLERANCES (UNLESS SPECIFIED) 4 PLACES ± .005 3 PLACES ± .004 2 PLACES ± .003 1 PLACE ± .002 0 PLACES ± .001 ANGULAR TOL ± .5° DRAFT WHERE APPLICABLE MUST REMAIN WITHIN DIMENSIONS		
EC NO: 614381 DRWN: DSOPPIN 2018/12/26 CHK'D: DNGUYEN62 2019/04/16 APPR: HKNEELAND 2019/04/25		PRODUCT CUSTOMER DRAWING DOCUMENT NUMBER: 1301470289 DOC TYPE: PSD DOC PART: 000 REVISION: A
INITIAL REVISION: DRWN: DSOPPIN 2018/12/26 APPR: HKNEELAND 2019/04/25		
THIRD ANGLE PROJECTION DRAWING SERIES: C-SIZE 130147		MATERIAL NUMBER: SEE TABLE CUSTOMER: GENERAL MARKET SHEET NUMBER: 1 OF 1