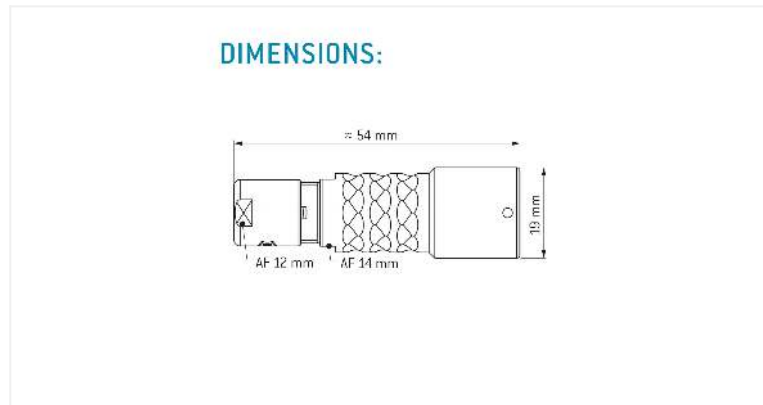


## General information

Part number	K12KCC-P07LPH0-6500
Termination	solder
Size	2
Locking principle	break , push
Coding	c_key
Cable Diameter	cable_mini_65
Cable outlet	standard



## Contact insert description

Number of contacts	7
Contact type	sockets
Contact diameter	13mm
Insulator material	peek
Wire cross section	20_awg
Termination	solder
Termination diameter	11mm

reverse\_gender\_on\_request

## Technical information

Max. creepage and air clearance distance	13_mm	10_mm
Nominal current single contact	12_a	iec_60512_5_2
Nominal current insert	7,8_A	vde_0298_4
Test voltage	18_kv_ac	sae_13441

safety\_text

## Mechanical and environmental data

Degree of protection*	ip68
Operating temperature	40_120_c
Mating cycles	5000

mated

## Material and surface treatments

Housing	m_chrome
Contact	cu_alloy_gold

safety\_text\_2  
ul\_text  
illustrative\_text