

General Specifications

Motor Protection:

Auto Restart/Polarity Protection

Insulation Resistance:

10M Ω or over with a DC500V Megger

Dielectric Withstand Voltage: AC 700V 1s

Allowable Ambient Temperature Range:

-10°C ~ +60°C (Operating)

-40°C ~ +70°C (Storage)

(non-condensing environment)

Expected Life

25°C 100,000 Hours

Material

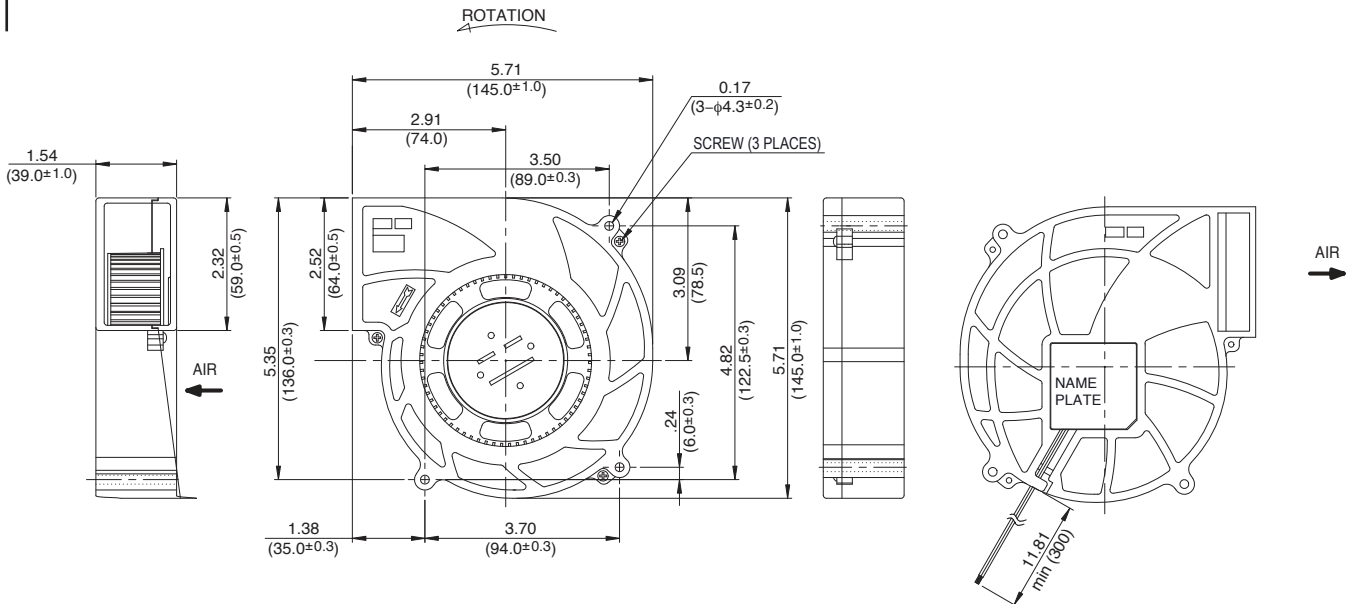
Casing : Plastic (Black) UL94V-0

Impeller : Plastic (Black) UL94V-0

Bearing : Ball Bearing

Lead Wire : UL1007, AWG24, +Red, -Black

Outline



Specifications

MODEL	Rated Voltage	Operating Voltage	Current	Input Power	Speed	Max. Air Flow		Max. Static Pressure		Noise	Mass
	(V)	(V)	(A) ^{*1}	(W) ^{*1}	(min ⁻¹) ^{*1}	CFM ^{*1}	(m ³ /min) ^{*1}	in H ₂ O	(Pa) ^{*1}	(dB) ^{*1}	(g)
14539GA-12L-AA-00	12	8.0 ~ 13.2	0.63	7.56	1800	38.85	1.10	0.72	180	51.0	390
14539GA-12M-AA-00	12	8.0 ~ 13.2	1.00	12.00	2100	46.97	1.33	1.16	290	53.0	390
14539GA-12N-AA-00	12	8.0 ~ 13.2	1.25	15.00	2450	51.21	1.45	1.55	385	54.5	390

Rotation: Clockwise

Airflow Outlet: Air Out Over Struts

*1: Average Values in Free Air

Note: PWM/Locked Rotor/Tach Available

Characteristic Curves

