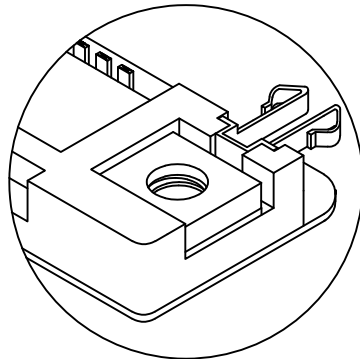
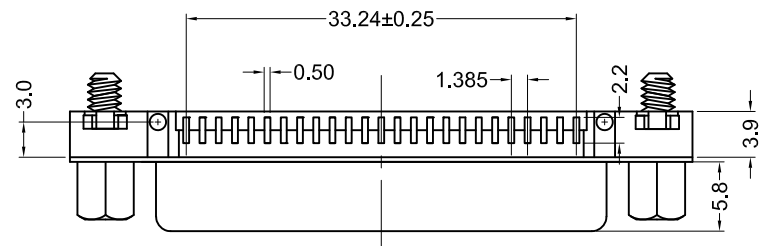
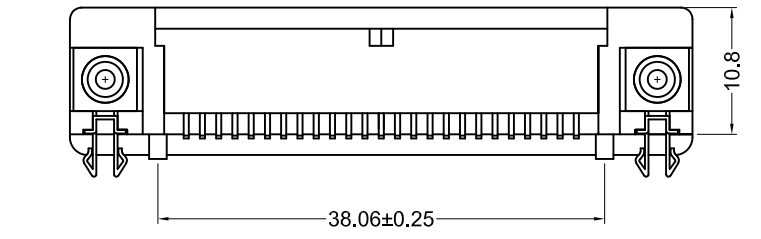


Pin Number:
1 14 2 15 3 16 4 17 5 18 6 19 7 20 8 21 9 22 10 23 11 24 12 25 13



Fork Board Lock Type

Material and Finish

Insulator: High Temperature Thermoplastic with Glass-fiber Reinforcement, UL 94V-0 Rated, Color: Black
 Shell: Steel, Nickel Plated
 Contact Material: Socket - Phosphor Bronze
 Contact Plating Options:
 Standard: Gold Flash on Mating End, Tin on Termination End, Nickel Underplate on Entire Contact
 15 Option: 15u" Gold on Mating End, Tin on Termination End, Nickel Underplate on Entire Contact
 30 Option: 30u" Gold on Mating End, Tin on Termination End, Nickel Underplate on Entire Contact

Electrical Specifications

Rated Current: 2A
 Rated Voltage: 30V RMS
 Insulation Resistance: 1000 Megohms Min. at 500V DC
 Contact Resistance: 13 milliohms Max.
 Dielectric Withstanding Voltage: 1000V for 1 Minute

Mechanical Specifications

Operating Temperature: -55°C to +105°C

Installed Hardware

Jackscrew: JSX-1055

Part Number	Plating	Packaging
K202XHT-B25S-NJ	Flash	Tubes
K202XHT-B25S-NJ15	15u"	Tubes
K202XHT-B25S-NJ30	30u"	Tubes
K202XHT-B25S-NJTR	Flash	Tape and Reel
K202XHT-B25S-NJ15TR	15u"	Tape and Reel
K202XHT-B25S-NJ30TR	30u"	Tape and Reel



Tolerances
X.X ± 0.25
X.XX ± 0.15
Unless Stated
Otherwise

REV.	DATE	DESCRIPTION	REV. BY	CHK. BY	DRAWN BY	DATE
A1	04/10/07	New Drawing	E. Canoy	H. MA	E. Canoy	04/10/07
B1	11/29/07	ECO #07-044	WILL_H	H. MA		
B2	05/22/08	ECO #08-042	S. Vien	H. MA		
B3	06/06/13	ECO #13-033	D. Gih	P. DalCanto		
B4	08/10/18	Address Update	G. Serrato	D. Shehan		

K202XHT-B25S-NJ

D-Sub, Right Angle, RoHS Compliant
 Low Profile, 25 Pin Female, SMT, Jackscrews

