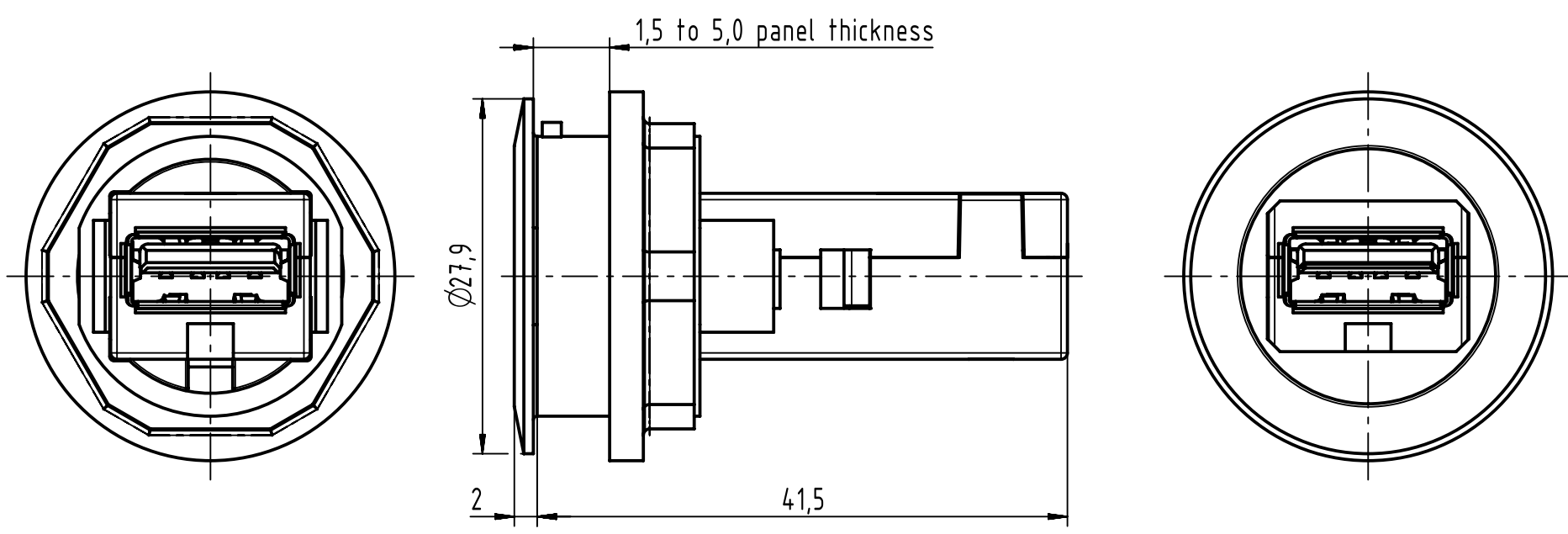
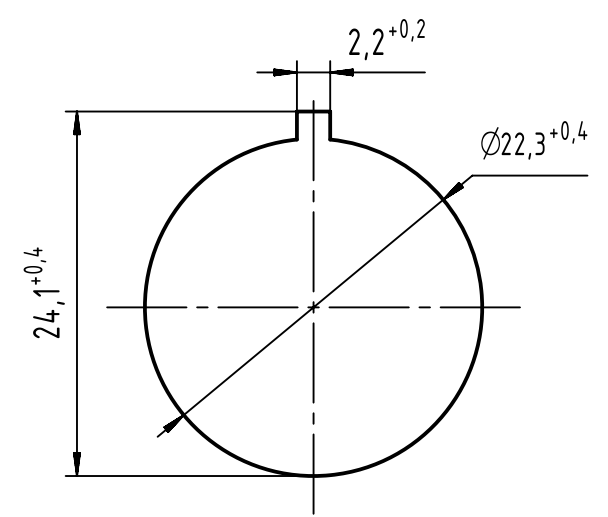


1 2 3 4 5 6

A
B
C
D

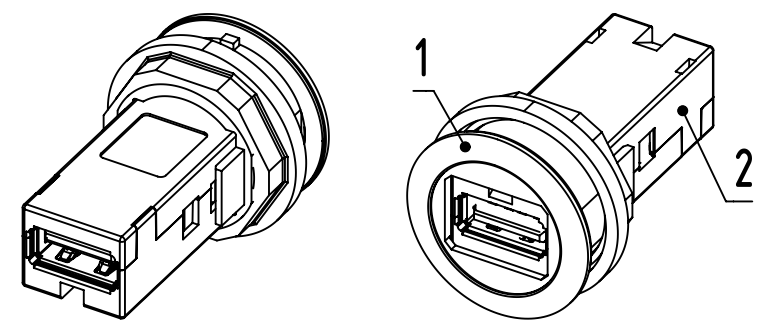


PANEL CUT DIMENSIONS



loading-plan

- V Bus 1 _____ 1
- D- 2 _____ 2
- D+ 3 _____ 3
- GND 4 _____ 4
- Shield _____ Shield



	All rights reserved Department EL PD	All Dimensions in mm Original Size DIN A4		Scale 1:1	Free size tol.	Ref.
		Created by BALSAN	Inspected by PRIESTER	Standardisation HOFFMANN	Date 2019-04-25	State Final Release
HARTING Electronics GmbH D-32339 Espelkamp		Title har-port USB 2.0 A-A ; PFT black			Doc-Key / ECM-Nr. 100205294/UGD/008/E 500000150766	
		Type TB	Number 09454521903		Rev. E	Page 1/1