

ABBREVIATION	DESCRIPTION	COLOR	MATERIAL
A-BLACK	HOUSING, KEYING OPTION A	BLACK	SPS/NYLON GF20
B-LIGHT GRAY	HOUSING, KEYING OPTION B	LIGHT GRAY	SPS/NYLON GF20
C-BROWN	HOUSING, KEYING OPTION C	BROWN	SPS/NYLON GF20
D-GREEN	HOUSING, KEYING OPTION D	GREEN	SPS/NYLON GF20
A-YELLOW	HOUSING, KEYING OPTION A	YELLOW	SPS/NYLON GF20
C-DARK GRAY	HOUSING, KEYING OPTION C	DARK GRAY	SPS/NYLON GF20
D-STONE GRAY	HOUSING, KEYING OPTION D	STONE GRAY	SPS/NYLON GF20
A-LIGHT BLUE	HOUSING,KEYING OPTION A	LIGHT BLUE	SPS/NYLON GF 20
GCO	GFROMMET CAP (OPEN)	BLACK	SPS/NYLON GF20
GCP	GFROMMET CAP (PLUGGED)	BLACK	SPS/NYLON GF20
PLR	PLR	NATURAL	SPS/NYLON GF20
M-R	MAT SEAL	RUST RED	INHERENTLY LUBRICATED SILICONE
M-B	MAT SEAL	LIGHT BLUE	INHERENTLY LUBRICATED SILICONE

FOR ADDITIONAL INFORMATION SEE SD-33482-0001

ASSEMBLY DESCRIPTION	ASSEMBLY PART NUMBER	COMPONENT				BLOCKED TERMINALS										STATUS	COMMENT	OPTIONAL ATTACHMENTS SOLD SEPARATELY									
		THE PRESENCE OF AN ABBREVIATION INDICATES THE PRESENCE OF THAT COMPONENT				CAVITY WITH A NUMBER INDICATES BLOCKED TERMINAL POSITION CAVITY WITHOUT A NUMBER INDICATES OPEN TERMINAL POSITION												BACKSHELL WITH RIBS	BACKSHELL WITHOUT RIBS	90° ADAPTOR WITH RIBS	90° ADAPTOR WITHOUT RIBS						
		HOUSING KEY/COLOR	GFROMMET CAP	PLR	MAT SEAL																						
MX150 ASSY BLD 2X10 BK A/20	334822001	A-BLACK	GCO	PLR	M-R	-	-	-	-	-	-	-	-	-	-	-	-	-	-	-	-	OBSOLETE	SEE 334822101	34950-2011	34950-2021	34951-1631	34951-1641
MX150 ASSY BLD 2X10 LG B/20	334822002	B-LIGHT GRAY	GCO	PLR	M-R	-	-	-	-	-	-	-	-	-	-	-	-	-	-	-	-	OBSOLETE	SEE 334822102	34950-2011	34950-2021	34951-1631	34951-1641
MX150 ASSY BLD 2X10 BR C/20	334822003	C-BROWN	GCO	PLR	M-R	-	-	-	-	-	-	-	-	-	-	-	-	-	-	-	-	OBSOLETE	SEE 334822154	34950-2011	34950-2021	34951-1631	34951-1641
MX150 ASSY BLD 2X10 GRD/20	334822004	D-GREEN	GCO	PLR	M-R	-	-	-	-	-	-	-	-	-	-	-	-	-	-	-	-	OBSOLETE	SEE 334822155	34950-2011	34950-2021	34951-1631	34951-1641
MX150 ASSY BLD 2X10 BK A/19	334822006	A-BLACK	GCP	PLR	M-R	-	-	-	-	-	-	-	-	-	-	-	-	-	-	-	-	OBSOLETE	SEE 334822106	34950-2011	34950-2021	34951-1631	34951-1641
MX150 ASSY BLD 2X10 BK A/19	334822007	A-BLACK	GCP	PLR	M-R	-	-	-	-	-	-	-	-	-	-	-	-	-	-	-	20	OBSOLETE	SEE 334822107	34950-2011	34950-2021	34951-1631	34951-1641
MX150 ASSY BLD 2X10 BK A/12	334822008	A-BLACK	GCP	PLR	M-R	-	-	-	4	5	6	7	-	-	-	-	-	-	-	-	-	OBSOLETE	SEE 334822108	34950-2011	34950-2021	34951-1631	34951-1641
MX150 ASSY BLD 2X10 BK A/18	334822009	A-BLACK	GCP	PLR	M-R	-	-	-	-	-	-	7	-	-	-	-	-	-	-	-	-	OBSOLETE	SEE 334822109	34950-2011	34950-2021	34951-1631	34951-1641
MX150 ASSY BLD 2X10 BK A/16	334822010	A-BLACK	GCP	PLR	M-R	-	-	-	-	-	-	-	-	-	-	-	-	-	-	10	-	OBSOLETE	SEE 334822110	34950-2011	34950-2021	34951-1631	34951-1641
MX150 ASSY BLD 2X10 BK A/17	334822011	A-BLACK	GCP	PLR	M-R	1	2	-	-	-	-	-	-	-	-	-	-	-	-	-	-	OBSOLETE	SEE 334822111	34950-2011	34950-2021	34951-1631	34951-1641
MX150 ASSY BLD 2X10 BK A/14	334822012	A-BLACK	GCP	PLR	M-R	1	2	-	-	-	-	-	-	-	-	-	-	-	-	10	-	OBSOLETE	SEE 334822112	34950-2011	34950-2021	34951-1631	34951-1641
MX150 ASSY BLD 2X10 BK A/12	334822013	A-BLACK	GCP	PLR	M-R	1	2	-	-	-	-	-	-	-	-	-	-	-	-	10	-	OBSOLETE	SEE 334822113	34950-2011	34950-2021	34951-1631	34951-1641
MX150 ASSY BLD 2X10 BK A/14	334822014	A-BLACK	GCP	PLR	M-R	-	-	3	4	5	-	-	-	-	-	-	-	-	-	-	-	OBSOLETE	SEE 334822114	34950-2011	34950-2021	34951-1631	34951-1641
MX150 ASSY BLD 2X10 BK A/16	334822015	A-BLACK	GCP	PLR	M-R	-	-	3	4	5	-	-	-	-	-	-	-	-	-	-	-	OBSOLETE	SEE 334822115	34950-2011	34950-2021	34951-1631	34951-1641
MX150 ASSY BLD 2X10 BK A/16	334822016	A-BLACK	GCP	PLR	M-R	-	2	-	-	-	-	-	-	-	-	-	-	-	-	-	-	OBSOLETE	SEE 334822116	34950-2011	34950-2021	34951-1631	34951-1641
MX150 ASSY BLD 2X10 BK A/17	334822017	A-BLACK	GCP	PLR	M-R	-	-	-	-	-	-	-	-	-	-	-	-	-	-	-	-	OBSOLETE	SEE 334822117	34950-2011	34950-2021	34951-1631	34951-1641
MX150 ASSY BLD 2X10 BK A/15	334822018	A-BLACK	GCP	PLR	M-R	-	-	-	-	-	-	-	-	-	-	-	-	-	-	10	-	OBSOLETE	SEE 334822118	34950-2011	34950-2021	34951-1631	34951-1641

ASSEMBLY DESCRIPTION	ASSEMBLY PART NUMBER	COMPONENT				BLOCKED TERMINALS										STATUS	COMMENT	OPTIONAL ATTACHMENTS SOLD SEPARATELY												
		THE PRESENCE OF AN ABBREVIATION INDICATES THE PRESENCE OF THAT COMPONENT				CAVITY WITH A NUMBER INDICATES BLOCKED TERMINAL POSITION CAVITY WITHOUT A NUMBER INDICATES OPEN TERMINAL POSITION												BACKSHELL WITH RIBS	BACKSHELL WITHOUT RIBS	90° ADAPTOR WITH RIBS	90° ADAPTOR WITHOUT RIBS									
		HOUSING KEY/COLOR	GROMMET CAP	PLR	MAT SEAL	1	2	3	4	5	6	7	8	9	10							11	12	13	14	15	16	17	18	19
MX150 ASSY BLD 2X10 BK A/15	334822019	A-BLACK	GCP	PLR	M-R	-	-	3	4	-	-	-	-	-	-	-	-	-	-	-	-	-	-	-	OBSOLETE	SEE 334822119	34950-2011	34950-2021	34951-1631	34951-1641
MX150 ASSY BLD 2X10 BK A/12	334822020	A-BLACK	GCP	PLR	M-R	-	-	3	4	5	-	-	-	-	-	-	-	-	-	-	-	-	-	-	OBSOLETE	SEE 334822120	34950-2011	34950-2021	34951-1631	34951-1641
MX150 ASSY BLD 2X10 BK A/9	334822021	A-BLACK	GCP	PLR	M-R	1	2	3	4	5	-	-	-	-	-	-	-	-	-	-	-	-	10	-	OBSOLETE	SEE 334822121	34950-2011	34950-2021	34951-1631	34951-1641
MX150 ASSY BLD 2X10 BK A/14	334822022	A-BLACK	GCP	PLR	M-R	-	-	3	4	-	-	-	-	-	-	-	-	-	-	-	-	-	10	-	OBSOLETE	SEE 334822122	34950-2011	34950-2021	34951-1631	34951-1641
MX150 ASSY BLD 2X10 BK A/13	334822023	A-BLACK	GCP	PLR	M-R	-	-	-	-	-	-	-	-	-	-	-	-	-	-	-	-	-	10	-	OBSOLETE	SEE 334822123	34950-2011	34950-2021	34951-1631	34951-1641
MX150 ASSY BLD 2X10 BK A/16	334822024	A-BLACK	GCP	PLR	M-R	-	-	-	-	-	-	-	-	-	-	-	-	-	-	-	-	-	-	-	OBSOLETE	SEE 334822124	34950-2011	34950-2021	34951-1631	34951-1641
MX150 ASSY BLD 2X10 BK A/16	334822025	A-BLACK	GCP	PLR	M-R	-	-	-	-	-	-	-	-	-	-	-	-	-	-	-	-	-	10	-	OBSOLETE	SEE 334822125	34950-2011	34950-2021	34951-1631	34951-1641
MX150 ASSY BLD 2X10 BK A/13	334822026	A-BLACK	GCP	PLR	M-R	-	-	-	4	5	-	-	-	-	-	-	-	-	-	-	-	-	10	-	OBSOLETE	SEE 334822126	34950-2011	34950-2021	34951-1631	34951-1641
MX150 ASSY BLD 2X10 BK A/12	334822027	A-BLACK	GCP	PLR	M-R	-	-	-	4	5	-	-	-	-	-	-	-	-	-	-	-	-	10	-	OBSOLETE	SEE 334822127	34950-2011	34950-2021	34951-1631	34951-1641
MX150 ASSY BLD 2X10 BK A/2	334822028	A-BLACK	GCP	PLR	M-R	1	-	3	4	5	6	7	8	9	10	-	-	-	-	-	-	-	-	-	OBSOLETE	SEE 334822128	34950-2011	34950-2021	34951-1631	34951-1641
MX150 ASSY BLD 2X10 BK A/14	334822029	A-BLACK	GCP	PLR	M-R	-	-	-	4	5	6	7	-	-	-	-	-	-	-	-	-	-	-	-	OBSOLETE	SEE 334822129	34950-2011	34950-2021	34951-1631	34951-1641
MX150 ASSY BLD 2X10 BK A/12	334822030	A-BLACK	GCP	PLR	M-R	-	-	3	4	5	-	-	-	-	-	-	-	-	-	-	-	-	-	-	OBSOLETE	SEE 334822130	34950-2011	34950-2021	34951-1631	34951-1641
MX150 ASSY BLD 2X10 BK A/17	334822031	A-BLACK	GCP	PLR	M-R	-	-	-	4	-	-	7	-	-	-	-	-	-	-	-	-	-	-	-	OBSOLETE	SEE 334822131	34950-2011	34950-2021	34951-1631	34951-1641
MX150 ASSY BLD 2X10 BK A/13	334822032	A-BLACK	GCP	PLR	M-R	-	-	3	4	5	-	-	-	-	-	-	-	-	-	-	-	-	-	-	OBSOLETE	SEE 334822132	34950-2011	34950-2021	34951-1631	34951-1641
MX150 ASSY BLD 2X10 BK A/17	334822033	A-BLACK	GCP	PLR	M-R	-	-	-	-	-	-	-	-	-	-	-	-	-	-	-	-	-	10	-	OBSOLETE	SEE 334822133	34950-2011	34950-2021	34951-1631	34951-1641
MX150 ASSY BLD 2X10 BK A/16	334822034	A-BLACK	GCP	PLR	M-R	-	-	-	-	-	-	-	-	-	-	-	-	-	-	-	-	-	-	-	OBSOLETE	SEE 334822134	34950-2011	34950-2021	34951-1631	34951-1641
MX150 ASSY BLD 2X10 BK A/15	334822035	A-BLACK	GCP	PLR	M-R	-	-	-	-	-	-	-	-	-	-	-	-	-	-	-	-	-	-	-	OBSOLETE	SEE 334822135	34950-2011	34950-2021	34951-1631	34951-1641
MX150 ASSY BLD 2X10 BK A/14	334822036	A-BLACK	GCP	PLR	M-R	-	-	-	-	-	-	7	-	9	-	-	-	-	-	-	-	-	-	-	OBSOLETE	SEE 334822136	34950-2011	34950-2021	34951-1631	34951-1641
MX150 ASSY BLD 2X10 BK A/18	334822037	A-BLACK	GCP	PLR	M-R	-	-	-	-	-	-	7	-	9	-	-	-	-	-	-	-	-	-	-	OBSOLETE	SEE 334822137	34950-2011	34950-2021	34951-1631	34951-1641
MX150 ASSY BLD 2X10 BK A/7	334822038	A-BLACK	GCP	PLR	M-R	1	2	3	4	5	6	7	8	9	10	-	-	-	-	-	-	-	-	-	OBSOLETE	SEE 334822138	34950-2011	34950-2021	34951-1631	34951-1641
MX150 ASSY BLD 2X10 BK A/9	334822039	A-BLACK	GCP	PLR	M-R	1	2	3	4	5	6	7	8	-	10	-	-	-	-	-	-	-	-	-	OBSOLETE	SEE 334822139	34950-2011	34950-2021	34951-1631	34951-1641
MX150 ASSY BLD 2X10 BK A/17	334822040	A-BLACK	GCP	PLR	M-R	-	-	-	-	-	-	7	-	-	-	-	-	-	-	-	-	-	-	-	OBSOLETE	SEE 334822140	34950-2011	34950-2021	34951-1631	34951-1641
MX150 ASSY BLD 2X10 YW A/20	334822041	A-YELLOW	GOO	PLR	M-R	-	-	-	-	-	-	-	-	-	-	-	-	-	-	-	-	-	-	-	OBSOLETE	SEE 334822141	34950-2011	34950-2021	34951-1631	34951-1641
MX150 ASSY BLD 2X10 BK A/15	334822042	A-BLACK	GCP	PLR	M-R	-	-	-	-	-	-	-	-	-	-	-	-	-	-	-	-	-	10	-	OBSOLETE	SEE 334822142	34950-2011	34950-2021	34951-1631	34951-1641
MX150 ASSY BLD 2X10 BK A/15	334822043	A-BLACK	GCP	PLR	M-R	-	2	-	4	-	-	-	-	-	-	-	-	-	-	-	-	-	-	-	OBSOLETE	SEE 334822143	34950-2011	34950-2021	34951-1631	34951-1641
MX150 ASSY BLD 2X10 BK A/18	334822044	A-BLACK	GCP	PLR	M-R	-	-	-	-	-	-	-	-	-	-	-	-	-	-	-	-	18	19	-	OBSOLETE	SEE 334822144	34950-2011	34950-2021	34951-1631	34951-1641
MX150 ASSY BLD 2X10 BK A/18	334822045	A-BLACK	GCP	PLR	M-R	-	-	-	-	-	-	-	-	-	-	-	-	-	-	-	-	9	10	-	OBSOLETE	SEE 334822145	34950-2011	34950-2021	34951-1631	34951-1641

ASSEMBLY DESCRIPTION	ASSEMBLY PART NUMBER	COMPONENT				BLOCKED TERMINALS										STATUS	COMMENT	OPTIONAL ATTACHMENTS SOLD SEPARATELY												
		THE PRESENCE OF AN ABBREVIATION INDICATES THE PRESENCE OF THAT COMPONENT				CAVITY WITH A NUMBER INDICATES BLOCKED TERMINAL POSITION CAVITY WITHOUT A NUMBER INDICATES OPEN TERMINAL POSITION												BACKSHELL WITH RIBS	BACKSHELL WITHOUT RIBS	90° ADAPTOR WITH RIBS	90° ADAPTOR WITHOUT RIBS									
		HOUSING KEY/COLOR	GROMMET CAP	PLR	MAT SEAL	1	2	3	4	5	6	7	8	9	10							11	12	13	14	15	16	17	18	19
MX150 ASSY BLD 2X10 BK A/12	334822046	A-BLACK	GCP	PLR	M-R	1	-	-	-	-	-	-	-	-	-	-	-	-	-	-	-	-	-	-	OBSOLETE	SEE 334822146	34950-2011	34950-2021	34951-1631	34951-1641
MX150 ASSY BLD 2X10 BK A/10	334822047	A-BLACK	GCP	PLR	M-R	-	-	3	4	5	-	-	-	-	-	-	-	-	-	-	-	-	10	OBSOLETE	SEE 334822147	34950-2011	34950-2021	34951-1631	34951-1641	
MX150 ASSY BLD 2X10 BK A/2	334822048	A-BLACK	GCP	PLR	M-R	1	2	3	4	5	6	7	8	9	-	-	-	-	-	-	-	-	-	-	OBSOLETE	SEE 334822148	34950-2011	34950-2021	34951-1631	34951-1641
MX150 ASSY BLD 2X10 BK A/11	334822049	A-BLACK	GCP	PLR	M-R	-	-	3	4	5	6	-	8	9	-	-	-	-	-	-	-	-	-	-	OBSOLETE	SEE 334822149	34950-2011	34950-2021	34951-1631	34951-1641
MX150 ASSY BLD 2X10 BK A/4	334822050	A-BLACK	GCP	PLR	M-R	1	2	3	4	5	6	-	-	-	-	-	-	-	-	-	-	-	-	OBSOLETE	SEE 334822150	34950-2011	34950-2021	34951-1631	34951-1641	
MX150 ASSY BLD 2X10 BK A/10	334822051	A-BLACK	GCP	PLR	M-R	-	-	-	-	-	-	-	-	-	-	-	-	-	-	-	-	-	-	OBSOLETE	SEE 334822151	34950-2011	34950-2021	34951-1631	34951-1641	
MX150 ASSY BLD 2X10 BK A/0	334822052	A-BLACK	GCP	PLR	M-R	1	2	3	4	5	6	7	8	9	10	-	-	-	-	-	-	-	-	-	OBSOLETE	SEE 334822152	34950-2011	34950-2021	34951-1631	34951-1641
MX150 ASSY BLD 2X10 BK A/14	334822053	A-BLACK	GCP	PLR	M-R	-	-	3	-	-	-	-	8	9	-	-	-	-	-	-	-	-	-	OBSOLETE	SEE 334822153	34950-2011	34950-2021	34951-1631	34951-1641	
MX150 ASSY BLD 2X10 DG C/20	334822054	C-DARK GRAY	GCP	PLR	M-R	-	-	-	-	-	-	-	-	-	-	-	-	-	-	-	-	-	-	OBSOLETE	SEE 334822154	34950-2011	34950-2021	34951-1631	34951-1641	
MX150 ASSY BLD 2X10 SG D/20	334822055	D-STONE GRAY	GCP	PLR	M-R	-	-	-	-	-	-	-	-	-	-	-	-	-	-	-	-	-	-	OBSOLETE	SEE 334822155	34950-2011	34950-2021	34951-1631	34951-1641	
MX150 ASSY BLD 2X10 LG B/16	334822056	B-LIGHT GRAY	GCP	PLR	M-R	-	-	3	-	5	-	-	-	9	10	-	-	-	-	-	-	-	-	OBSOLETE	SEE 334822156	34950-2011	34950-2021	34951-1631	34951-1641	
MX150 ASSY BLD 2X10 LG B/5	334822057	B-LIGHT GRAY	GCP	PLR	M-R	-	-	3	4	5	-	-	-	9	10	-	-	-	-	-	-	-	-	OBSOLETE	SEE 334822157	34950-2011	34950-2021	34951-1631	34951-1641	
MX150 ASSY BLD 2X10 LG B/12	334822058	B-LIGHT GRAY	GCP	PLR	M-R	-	-	3	-	5	-	-	-	9	10	-	-	-	-	-	-	-	-	OBSOLETE	SEE 334822158	34950-2011	34950-2021	34951-1631	34951-1641	
MX150 ASSY BLD 2X10 LG B/11	334822059	B-LIGHT GRAY	GCP	PLR	M-R	-	-	3	4	5	6	-	8	9	10	-	-	-	-	-	-	-	-	OBSOLETE	SEE 334822159	34950-2011	34950-2021	34951-1631	34951-1641	
MX150 ASSY BLD 2X10 BK A/10	334822060	A-BLACK	GCP	PLR	M-R	-	-	-	4	5	-	-	8	-	-	-	-	-	-	-	-	-	-	OBSOLETE	SEE 334822160	34950-2011	34950-2021	34951-1631	34951-1641	
MX150 ASSY BLD 2X10 BK A/12	334822061	A-BLACK	GCP	PLR	M-R	-	-	-	4	5	-	-	8	-	-	-	-	-	-	-	-	-	-	OBSOLETE	SEE 334822161	34950-2011	34950-2021	34951-1631	34951-1641	
MX150 ASSY BLD 2X10 YW A/9	334822062	A-YELLOW	GCP	PLR	M-R	-	-	3	-	-	6	7	8	9	10	-	-	-	-	-	-	-	-	OBSOLETE	SEE 334822162	34950-2011	34950-2021	34951-1631	34951-1641	
MX150 ASSY BLD 2X10 YW A/11	334822063	A-YELLOW	GCP	PLR	M-R	-	-	3	-	-	6	7	8	9	10	-	-	-	-	-	-	-	-	OBSOLETE	SEE 334822163	34950-2011	34950-2021	34951-1631	34951-1641	
MX150 ASSY BLD 2X10 YW A/15	334822064	A-YELLOW	GCP	PLR	M-R	-	-	3	-	-	-	7	-	-	10	-	-	-	-	-	-	-	-	OBSOLETE	SEE 334822164	34950-2011	34950-2021	34951-1631	34951-1641	
MX150 ASSY BLD 2X10 YW A/2	334822065	A-YELLOW	GCP	PLR	M-R	-	-	3	4	5	6	7	8	9	10	-	-	-	-	-	-	-	-	OBSOLETE	SEE 334822165	34950-2011	34950-2021	34951-1631	34951-1641	
MX150 ASSY BLD 2X10 YW A/7	334822066	A-YELLOW	GCP	PLR	M-R	-	-	3	4	5	6	7	8	9	10	-	-	-	-	-	-	-	-	OBSOLETE	SEE 334822166	34950-2011	34950-2021	34951-1631	34951-1641	
MX150 ASSY BLD 2X10 YW A/14	334822067	A-YELLOW	GCP	PLR	M-R	-	-	3	-	-	-	7	8	9	10	-	-	-	-	-	-	-	-	OBSOLETE	SEE 334822167	34950-2011	34950-2021	34951-1631	34951-1641	
MX150 ASSY BLD 2X10 BK A/12	334822068	A-BLACK	GCP	PLR	M-R	-	-	3	4	5	-	7	-	-	-	-	-	-	-	-	-	-	-	OBSOLETE	SEE 334822168	34950-2011	34950-2021	34951-1631	34951-1641	
MX150 ASSY BLD 2X10 BK A/14	334822069	A-BLACK	GCP	PLR	M-R	-	-	-	-	-	-	7	-	-	10	-	-	-	-	-	-	-	-	OBSOLETE	SEE 334822169	34950-2011	34950-2021	34951-1631	34951-1641	
MX150 ASSY BLD 2X10 BK A/11	334822070	A-BLACK	GCP	PLR	M-R	-	2	3	4	5	-	-	-	-	-	-	-	-	-	-	-	-	-	OBSOLETE	SEE 334822170	34950-2011	34950-2021	34951-1631	34951-1641	
MX150 ASSY BLD 2X10 BK A/17	334822071	A-BLACK	GCP	PLR	M-R	-	-	-	-	-	-	-	-	-	-	-	-	-	-	-	-	-	-	OBSOLETE	SEE 334822171	34950-2011	34950-2021	34951-1631	34951-1641	
MX150 ASSY BLD 2X10 BK A/9	334822072	A-BLACK	GCP	PLR	M-R	1	2	3	4	5	6	7	8	-	-	-	-	-	-	-	-	-	-	OBSOLETE	SEE 334822172	34950-2011	34950-2021	34951-1631	34951-1641	

ASSEMBLY DESCRIPTION	ASSEMBLY PART NUMBER	COMPONENT				BLOCKED TERMINALS										STATUS	COMMENT	OPTIONAL ATTACHMENTS SOLD SEPARATELY						
		THE PRESENCE OF AN ABBREVIATION INDICATES THE PRESENCE OF THAT COMPONENT				CAVITY WITH A NUMBER INDICATES BLOCKED TERMINAL POSITION CAVITY WITHOUT A NUMBER INDICATES OPEN TERMINAL POSITION												BACKSHELL WITH RIBS	BACKSHELL WITHOUT RIBS	90° ADAPTOR WITH RIBS	90° ADAPTOR WITHOUT RIBS			
		HOUSING KEY/COLOR	GROMMET CAP	PLR	MAT SEAL	1	2	3	4	5	6	7	8	9	10							11	12	13
MX150 ASSY BLD 2X10 BK A/18	334822073	A-BLACK	GCP	PLR	M-R	-	-	-	-	-	-	-	8	-	-	OBSOLETE	SEE 334822173	34950-2011	34950-2021	34951-1631	34951-1641			
MX150 ASSY BLD 2X10 BK A/15	334822074	A-BLACK	GCP	PLR	M-R	1	-	-	-	-	-	-	8	-	10	OBSOLETE	SEE 334822174	34950-2011	34950-2021	34951-1631	34951-1641			
MX150 ASSY BLD 2X10 BK A/14	334822075	A-BLACK	GCP	PLR	M-R	1	-	-	-	-	-	-	8	9	-	OBSOLETE	SEE 334822175	34950-2011	34950-2021	34951-1631	34951-1641			
MX150 ASSY BLD 2X10 BK A/17	334822076	A-BLACK	GCP	PLR	M-R	-	-	-	-	-	-	-	-	-	10	OBSOLETE	SEE 334822176	34950-2011	34950-2021	34951-1631	34951-1641			
MX150 ASSY BLD 2X10 BK A/16	334822077	A-BLACK	GCP	PLR	M-R	-	-	-	-	-	-	-	-	-	-	OBSOLETE	SEE 334822177	34950-2011	34950-2021	34951-1631	34951-1641			
MX150 ASSY BLD 2X10 BK A/18	334822078	A-BLACK	GCP	PLR	M-R	-	-	-	4	-	-	-	-	-	-	OBSOLETE	SEE 334822178	34950-2011	34950-2021	34951-1631	34951-1641			
MX150 ASSY BLD 2X10 BK A/6	334822079	A-BLACK	GCP	PLR	M-R	-	-	-	4	5	6	7	8	9	10	OBSOLETE	SEE 334822179	34950-2011	34950-2021	34951-1631	34951-1641			
MX150 ASSY BLD 2X10 BK A/11	334822080	A-BLACK	GCP	PLR	M-R	1	-	-	-	-	-	-	8	-	10	OBSOLETE	SEE 334822180	34950-2011	34950-2021	34951-1631	34951-1641			
MX150 ASSY BLD 2X10 BK A/9	334822081	A-BLACK	GCP	PLR	M-R	1	-	3	4	-	-	-	8	9	-	OBSOLETE	SEE 334822181	34950-2011	34950-2021	34951-1631	34951-1641			
MX150 ASSY BLD 2X10 BK A/8	334822082	A-BLACK	GCP	PLR	M-R	1	-	3	4	-	-	-	8	9	10	OBSOLETE	SEE 334822182	34950-2011	34950-2021	34951-1631	34951-1641			
MX150 ASSY BLD 2X10 BK A/13	334822083	A-BLACK	GCP	PLR	M-R	1	-	-	-	-	-	-	8	9	10	OBSOLETE	SEE 334822183	34950-2011	34950-2021	34951-1631	34951-1641			
MX150 ASSY BLD 2X10 BK A/17	334822084	A-BLACK	GCP	PLR	M-R	1	-	-	-	-	-	-	-	9	-	OBSOLETE	SEE 334822184	34950-2011	34950-2021	34951-1631	34951-1641			
MX150 ASSY BLD 2X10 BK A/18	334822085	A-BLACK	GCP	PLR	M-R	1	-	-	-	-	-	-	-	-	-	OBSOLETE	SEE 334822185	34950-2011	34950-2021	34951-1631	34951-1641			
MX150 ASSY BLD 2X10 BK A/14	334822086	A-BLACK	GCP	PLR	M-R	-	2	3	-	5	-	-	-	-	-	OBSOLETE	SEE 334822186	34950-2011	34950-2021	34951-1631	34951-1641			
MX150 ASSY BLD 2X10 BK A/16	334822087	A-BLACK	GCP	PLR	M-R	1	-	-	-	-	-	-	-	-	-	OBSOLETE	SEE 334822187	34950-2011	34950-2021	34951-1631	34951-1641			
MX150 ASSY BLD 2X10 BK A/11	334822088	A-BLACK	GCP	PLR	M-R	1	-	-	-	5	6	7	8	-	-	OBSOLETE	SEE 334822188	34950-2011	34950-2021	34951-1631	34951-1641			
MX150 ASSY BLD 2X10 BK A/5	334822089	A-BLACK	GCP	PLR	M-R	1	2	3	4	5	6	7	8	9	-	OBSOLETE	SEE 334822189	34950-2011	34950-2021	34951-1631	34951-1641			
MX150 ASSY BLD 2X10 BK A/2	334822090	A-BLACK	GCP	PLR	M-R	1	2	3	4	5	6	7	8	9	10	OBSOLETE	SEE 334822190	34950-2011	34950-2021	34951-1631	34951-1641			
MX150 ASSY BLD 2X10 BK A/20	334822101	A-BLACK	GCO	PLR	M-B	-	-	-	-	-	-	-	-	-	-	SALEABLE		34950-2011	34950-2021	34951-1631	34951-1641			
MX150 ASSY BLD 2X10 LG B/20	334822102	B-LIGHT GRAY	GCO	PLR	M-B	-	-	-	-	-	-	-	-	-	-	SALEABLE		34950-2011	34950-2021	34951-1631	34951-1641			
MX150 ASSY BLD 2X10 BRC/20	334822103	C-BROWN	GCO	PLR	M-B	-	-	-	-	-	-	-	-	-	-	NOT RECOMMENDED	SEE 334822154	34950-2011	34950-2021	34951-1631	34951-1641			
MX150 ASSY BLD 2X10 GRD/20	334822104	D-GREEN	GCO	PLR	M-B	-	-	-	-	-	-	-	-	-	-	NOT RECOMMENDED	SEE 334822155	34950-2011	34950-2021	34951-1631	34951-1641			
MX150 ASSY BLD 2X10 BK A/19	334822106	A-BLACK	GCP	PLR	M-B	-	-	-	-	-	-	-	-	-	-	SALEABLE		34950-2011	34950-2021	34951-1631	34951-1641			
MX150 ASSY BLD 2X10 BK A/19	334822107	A-BLACK	GCP	PLR	M-B	-	-	-	-	-	-	-	-	-	-	SALEABLE		34950-2011	34950-2021	34951-1631	34951-1641			
MX150 ASSY BLD 2X10 BK A/12	334822108	A-BLACK	GCP	PLR	M-B	-	-	-	4	5	6	7	-	-	-	SALEABLE		34950-2011	34950-2021	34951-1631	34951-1641			
MX150 ASSY BLD 2X10 BK A/18	334822109	A-BLACK	GCP	PLR	M-B	-	-	-	-	-	-	7	-	-	-	SALEABLE		34950-2011	34950-2021	34951-1631	34951-1641			
MX150 ASSY BLD 2X10 BK A/16	334822110	A-BLACK	GCP	PLR	M-B	-	-	-	-	-	-	-	-	-	10	SALEABLE		34950-2011	34950-2021	34951-1631	34951-1641			



ASSEMBLY DESCRIPTION	ASSEMBLY PART NUMBER	COMPONENT				BLOCKED TERMINALS										STATUS	COMMENT	OPTIONAL ATTACHMENTS SOLD SEPARATELY			
		THE PRESENCE OF AN ABBREVIATION INDICATES THE PRESENCE OF THAT COMPONENT				CAVITY WITH A NUMBER INDICATES BLOCKED TERMINAL POSITION CAVITY WITHOUT A NUMBER INDICATES OPEN TERMINAL POSITION												BACKSHELL WITH RIBS	BACKSHELL WITHOUT RIBS	90° ADAPTOR WITH RIBS	90° ADAPTOR WITHOUT RIBS
		HOUSING KEY/COLOR	GROMMET CAP	PLR	MAT SEAL	1	2	3	4	5	6	7	8	9	10						
MX150 ASSY BLD 2X10 BK A/7	334822138	A-BLACK	GCP	PLR	M-B	1	2	3	4	5	6	7	8	9	10	SALEABLE		34950-2011	34950-2021	34951-1631	34951-1641
MX150 ASSY BLD 2X10 BK A/9	334822139	A-BLACK	GCP	PLR	M-B	1	2	3	4	5	6	7	8	-	10	SALEABLE		34950-2011	34950-2021	34951-1631	34951-1641
MX150 ASSY BLD 2X10 BK A/17	334822140	A-BLACK	GCP	PLR	M-B	-	-	-	-	-	-	7	-	-	-	SALEABLE		34950-2011	34950-2021	34951-1631	34951-1641
MX150 ASSY BLD 2X10 YW A/20	334822141	A-YELLOW	GCO	PLR	M-B	-	-	-	-	-	-	-	-	-	-	SALEABLE		34950-2011	34950-2021	34951-1631	34951-1641
MX150 ASSY BLD 2X10 BK A/15	334822142	A-BLACK	GCP	PLR	M-B	-	-	-	-	-	-	-	-	-	10	SALEABLE		34950-2011	34950-2021	34951-1631	34951-1641
MX150 ASSY BLD 2X10 BK A/15	334822143	A-BLACK	GCP	PLR	M-B	-	2	-	4	-	-	-	-	-	-	SALEABLE		34950-2011	34950-2021	34951-1631	34951-1641
MX150 ASSY BLD 2X10 BK A/18	334822144	A-BLACK	GCP	PLR	M-B	11	12	-	14	-	-	-	-	-	-	SALEABLE		34950-2011	34950-2021	34951-1631	34951-1641
MX150 ASSY BLD 2X10 BK A/18	334822145	A-BLACK	GCP	PLR	M-B	-	-	-	-	-	-	-	-	9	10	SALEABLE		34950-2011	34950-2021	34951-1631	34951-1641
MX150 ASSY BLD 2X10 BK A/12	334822146	A-BLACK	GCP	PLR	M-B	1	-	-	-	-	-	-	-	-	-	SALEABLE		34950-2011	34950-2021	34951-1631	34951-1641
MX150 ASSY BLD 2X10 BK A/10	334822147	A-BLACK	GCP	PLR	M-B	-	-	3	4	5	-	-	-	-	10	SALEABLE		34950-2011	34950-2021	34951-1631	34951-1641
MX150 ASSY BLD 2X10 BK A/2	334822148	A-BLACK	GCP	PLR	M-B	1	2	3	4	5	6	7	8	9	-	SALEABLE		34950-2011	34950-2021	34951-1631	34951-1641
MX150 ASSY BLD 2X10 BK A/11	334822149	A-BLACK	GCP	PLR	M-B	11	12	13	14	15	16	-	18	19	20	SALEABLE		34950-2011	34950-2021	34951-1631	34951-1641
MX150 ASSY BLD 2X10 BK A/4	334822150	A-BLACK	GCP	PLR	M-B	-	-	3	4	5	6	-	8	9	-	SALEABLE		34950-2011	34950-2021	34951-1631	34951-1641
MX150 ASSY BLD 2X10 BK A/10	334822151	A-BLACK	GCP	PLR	M-B	11	12	13	14	15	16	17	18	19	20	SALEABLE		34950-2011	34950-2021	34951-1631	34951-1641
MX150 ASSY BLD 2X10 BK A/0	334822152	A-BLACK	GCP	PLR	M-B	1	2	3	4	5	6	7	8	9	10	SALEABLE		34950-2011	34950-2021	34951-1631	34951-1641
MX150 ASSY BLD 2X10 BK A/14	334822153	A-BLACK	GCP	PLR	M-B	11	12	13	14	15	16	17	18	19	20	SALEABLE		34950-2011	34950-2021	34951-1631	34951-1641
MX150 ASSY BLD 2X10 DG C/20	334822154	C-DARK GRAY	GCO	PLR	M-B	-	-	-	-	-	-	-	-	-	-	SALEABLE		34950-2011	34950-2021	34951-1631	34951-1641
MX150 ASSY BLD 2X10 SG D/20	334822155	D-STONE GRAY	GCO	PLR	M-B	-	-	-	-	-	-	-	-	-	-	SALEABLE		34950-2011	34950-2021	34951-1631	34951-1641
MX150 ASSY BLD 2X10 LG B/16	334822156	B-LIGHT GRAY	GCP	PLR	M-B	-	-	3	-	5	-	-	-	9	10	SALEABLE		34950-2011	34950-2021	34951-1631	34951-1641
MX150 ASSY BLD 2X10 LG B/5	334822157	B-LIGHT GRAY	GCP	PLR	M-B	-	-	3	4	5	-	-	-	9	10	SALEABLE		34950-2011	34950-2021	34951-1631	34951-1641
MX150 ASSY BLD 2X10 LG B/12	334822158	B-LIGHT GRAY	GCP	PLR	M-B	11	12	13	14	15	16	17	18	19	20	SALEABLE		34950-2011	34950-2021	34951-1631	34951-1641
MX150 ASSY BLD 2X10 LG B/11	334822159	B-LIGHT GRAY	GCP	PLR	M-B	-	-	3	4	5	6	-	8	9	10	SALEABLE		34950-2011	34950-2021	34951-1631	34951-1641
MX150 ASSY BLD 2X10 BK A/10	334822160	A-BLACK	GCP	PLR	M-B	-	-	-	4	5	-	-	8	-	-	SALEABLE		34950-2011	34950-2021	34951-1631	34951-1641
MX150 ASSY BLD 2X10 BK A/12	334822161	A-BLACK	GCP	PLR	M-B	-	12	-	-	15	16	17	18	19	20	SALEABLE		34950-2011	34950-2021	34951-1631	34951-1641
MX150 ASSY BLD 2X10 YW A/9	334822162	A-YELLOW	GCP	PLR	M-B	-	-	3	-	-	6	7	8	9	10	SALEABLE		34950-2011	34950-2021	34951-1631	34951-1641
MX150 ASSY BLD 2X10 YW A/11	334822163	A-YELLOW	GCP	PLR	M-B	11	12	13	14	-	-	-	18	-	-	SALEABLE		34950-2011	34950-2021	34951-1631	34951-1641
MX150 ASSY BLD 2X10 YW A/15	334822164	A-YELLOW	GCP	PLR	M-B	-	-	3	-	-	-	7	-	-	10	SALEABLE		34950-2011	34950-2021	34951-1631	34951-1641

ASSEMBLY DESCRIPTION	ASSEMBLY PART NUMBER	COMPONENT				BLOCKED TERMINALS										STATUS	COMMENT	OPTIONAL ATTACHMENTS SOLD SEPARATELY													
		THE PRESENCE OF AN ABBREVIATION INDICATES THE PRESENCE OF THAT COMPONENT				CAVITY WITH A NUMBER INDICATES BLOCKED TERMINAL POSITION CAVITY WITHOUT A NUMBER INDICATES OPEN TERMINAL POSITION												BACKSHELL WITH RIBS	BACKSHELL WITHOUT RIBS	90° ADAPTOR WITH RIBS	90° ADAPTOR WITHOUT RIBS										
		HOUSING KEY/COLOR	GROMMET CAP	PLR	MAT SEAL	1	2	3	4	5	6	7	8	9	10							11	12	13	14	15	16	17	18	19	20
MX150 ASSY BLD 2X10 YW A/2	334822165	A-YELLOW	GCP	PLR	M-B	-	-	3	4	5	6	7	8	9	10	11	12	13	14	15	16	17	18	19	20	SALEABLE		34950-2011	34950-2021	34951-1631	34951-1641
MX150 ASSY BLD 2X10 YW A/7	334822166	A-YELLOW	GCP	PLR	M-B	-	-	3	4	5	6	7	8	9	10	11	12	13	14	-	-	-	18	-	-	SALEABLE		34950-2011	34950-2021	34951-1631	34951-1641
MX150 ASSY BLD 2X10 YW A/14	334822167	A-YELLOW	GCP	PLR	M-B	-	-	3	-	-	-	7	8	9	10	-	-	-	14	-	-	-	-	-	-	SALEABLE		34950-2011	34950-2021	34951-1631	34951-1641
MX150 ASSY BLD 2X10 BK A/12	334822168	A-BLACK	GCP	PLR	M-B	-	-	3	4	5	-	7	-	-	-	-	-	13	-	15	-	-	18	19	-	SALEABLE		34950-2011	34950-2021	34951-1631	34951-1641
MX150 ASSY BLD 2X10 BK A/14	334822169	A-BLACK	GCP	PLR	M-B	-	-	-	-	-	-	7	-	-	10	-	-	-	14	-	-	17	18	19	-	SALEABLE		34950-2011	34950-2021	34951-1631	34951-1641
MX150 ASSY BLD 2X10 BK A/11	334822170	A-BLACK	GCP	PLR	M-B	-	2	3	4	5	-	-	-	-	-	-	-	-	14	-	-	17	18	19	20	SALEABLE		34950-2011	34950-2021	34951-1631	34951-1641
MX150 ASSY BLD 2X10 BK A/17	334822171	A-BLACK	GCP	PLR	M-B	-	-	-	-	-	-	-	-	-	-	11	-	-	-	-	-	17	-	19	-	SALEABLE		34950-2011	34950-2021	34951-1631	34951-1641
MX150 ASSY BLD 2X10 BK A/9	334822172	A-BLACK	GCP	PLR	M-B	1	2	3	4	5	6	7	8	-	-	11	-	-	-	-	-	17	-	19	-	SALEABLE		34950-2011	34950-2021	34951-1631	34951-1641
MX150 ASSY BLD 2X10 BK A/18	334822173	A-BLACK	GCP	PLR	M-B	-	-	-	-	-	-	-	8	-	-	-	-	-	-	15	-	-	-	-	-	SALEABLE		34950-2011	34950-2021	34951-1631	34951-1641
MX150 ASSY BLD 2X10 BK A/15	334822174	A-BLACK	GCP	PLR	M-B	1	-	-	-	-	-	-	8	-	10	-	-	-	-	15	-	17	-	-	-	SALEABLE		34950-2011	34950-2021	34951-1631	34951-1641
MX150 ASSY BLD 2X10 BK A/14	334822175	A-BLACK	GCP	PLR	M-B	1	-	-	-	-	-	-	8	9	-	11	-	-	-	-	-	-	-	19	20	SALEABLE		34950-2011	34950-2021	34951-1631	34951-1641
MX150 ASSY BLD 2X10 BK A/17	334822176	A-BLACK	GCP	PLR	M-B	-	-	-	-	-	-	-	-	-	10	-	-	-	-	-	-	-	19	20	SALEABLE		34950-2011	34950-2021	34951-1631	34951-1641	
MX150 ASSY BLD 2X10 BK A/16	334822177	A-BLACK	GCP	PLR	M-B	-	-	-	-	-	-	-	-	-	-	-	-	13	-	-	16	-	19	20	SALEABLE		34950-2011	34950-2021	34951-1631	34951-1641	
MX150 ASSY BLD 2X10 BK A/18	334822178	A-BLACK	GCP	PLR	M-B	-	-	-	4	-	-	-	-	-	-	-	-	-	14	-	-	-	-	-	-	SALEABLE		34950-2011	34950-2021	34951-1631	34951-1641
MX150 ASSY BLD 2X10 BK A/6	334822179	A-BLACK	GCP	PLR	M-B	-	-	-	4	5	6	7	8	9	10	-	-	-	14	15	16	17	18	19	20	SALEABLE		34950-2011	34950-2021	34951-1631	34951-1641
MX150 ASSY BLD 2X10 BK A/11	334822180	A-BLACK	GCP	PLR	M-B	1	-	-	-	-	-	-	8	-	10	11	12	13	14	15	-	17	-	-	-	SALEABLE		34950-2011	34950-2021	34951-1631	34951-1641
MX150 ASSY BLD 2X10 BK A/9	334822181	A-BLACK	GCP	PLR	M-B	1	-	3	4	-	-	-	8	9	-	11	-	13	14	-	-	-	18	19	20	SALEABLE		34950-2011	34950-2021	34951-1631	34951-1641
MX150 ASSY BLD 2X10 BK A/8	334822182	A-BLACK	GCP	PLR	M-B	1	-	3	4	-	-	-	8	9	10	11	-	13	14	-	-	-	18	19	20	SALEABLE		34950-2011	34950-2021	34951-1631	34951-1641
MX150 ASSY BLD 2X10 BK A/13	334822183	A-BLACK	GCP	PLR	M-B	1	-	-	-	-	-	-	8	9	10	11	-	-	-	-	-	-	19	20	SALEABLE		34950-2011	34950-2021	34951-1631	34951-1641	
MX150 ASSY BLD 2X10 BK A/17	334822184	A-BLACK	GCP	PLR	M-B	1	-	-	-	-	-	-	-	9	-	-	12	-	-	-	-	-	-	-	-	SALEABLE		34950-2011	34950-2021	34951-1631	34951-1641
MX150 ASSY BLD 2X10 BK A/18	334822185	A-BLACK	GCP	PLR	M-B	1	-	-	-	-	-	-	-	-	-	-	-	-	-	-	-	-	19	-	SALEABLE		34950-2011	34950-2021	34951-1631	34951-1641	
MX150 ASSY BLD 2X10 BK A/14	334822186	A-BLACK	GCP	PLR	M-B	-	2	3	-	5	-	-	-	-	-	-	-	-	14	-	-	-	-	19	20	SALEABLE		34950-2011	34950-2021	34951-1631	34951-1641
MX150 ASSY BLD 2X10 BK A/16	334822187	A-BLACK	GCP	PLR	M-B	1	-	-	-	-	-	-	-	-	-	-	12	13	-	-	-	-	-	19	-	SALEABLE		34950-2011	34950-2021	34951-1631	34951-1641
MX150 ASSY BLD 2X10 BK A/11	334822188	A-BLACK	GCP	PLR	M-B	1	-	-	-	5	6	7	8	-	-	-	12	13	-	15	-	-	-	19	-	SALEABLE		34950-2011	34950-2021	34951-1631	34951-1641
MX150 ASSY BLD 2X10 BK A/5	334822189	A-BLACK	GCP	PLR	M-B	1	2	3	4	5	6	7	8	9	-	-	12	13	14	15	16	-	-	19	-	SALEABLE		34950-2011	34950-2021	34951-1631	34951-1641
MX150 ASSY BLD 2X10 BK A/2	334822190	A-BLACK	GCP	PLR	M-B	1	2	3	4	5	6	7	8	9	10	11	12	13	14	15	16	-	-	19	20	SALEABLE		34950-2011	34950-2021	34951-1631	34951-1641
MX150 ASSY BLD 2X10 BK A/8	334822191	A-BLACK	GCP	PLR	M-B	1	2	3	4	5	6	-	8	-	10	-	-	13	-	-	16	-	-	19	20	SALEABLE		34950-2011	34950-2021	34951-1631	34951-1641

ASSEMBLY DESCRIPTION	ASSEMBLY PART NUMBER	COMPONENT				BLOCKED TERMINALS								STATUS	COMMENT	OPTIONAL ATTACHMENTS SOLD SEPARATELY					
		THE PRESENCE OF AN ABBREVIATION INDICATES THE PRESENCE OF THAT COMPONENT				CAVITY WITH A NUMBER INDICATES BLOCKED TERMINAL POSITION CAVITY WITHOUT A NUMBER INDICATES OPEN TERMINAL POSITION										BACKSHELL WITH RIBS	BACKSHELL WITHOUT RIBS	90° ADAPTOR WITH RIBS	90° ADAPTOR WITHOUT RIBS		
		HOUSING KEY/COLOR	GROMMET CAP	PLR	MAT SEAL																
MX150 ASSY BLD 2X10 BK A/14	334822192	A-BLACK	GCP	PLR	M-B	-	2	-	-	-	-	-	8	-	-	SALEABLE		34950-2011	34950-2021	34951-1631	34951-1641
						-	-	13	-	-	16	-	-	19	20						
MX150 ASSY BLD 2X10 BK A/6	334822193	A-BLACK	GCP	PLR	M-B	1	2	3	4	5	6	7	8	9	10	SALEABLE		34950-2011	34950-2021	34951-1631	34951-1641
						-	-	13	-	-	16	-	-	19	20						
MX150 ASSY BLD 2X10 BK A/7	334822194	A-BLACK	GCP	PLR	M-B	1	2	3	4	5	6	-	8	9	10	SALEABLE		34950-2011	34950-2021	34951-1631	34951-1641
						-	-	13	-	-	16	-	-	19	20						
MX150 ASSY BLD 2X10 BK A/15	334822195	A-BLACK	GCP	PLR	M-B	-	2	-	-	-	-	-	-	-	-	SALEABLE		34950-2011	34950-2021	34951-1631	34951-1641
						-	-	13	-	-	16	-	-	19	20						
MX150 ASSY BLD 2X10 LGB/9	334822196	B-LIGHT GRAY	GCP	PLR	M-B	1	2	3	4	5	6	7	8	-	-	SALEABLE		34950-2011	34950-2021	34951-1631	34951-1641
						11	-	-	-	-	-	17	-	19	-						
MX150 ASSY BLD 2X10 LGB/17	334822197	B-LIGHT GRAY	GCP	PLR	M-B	-	-	-	-	-	-	-	-	-	-	SALEABLE		34950-2011	34950-2021	34951-1631	34951-1641
						11	-	-	-	-	-	17	-	19	-						
MX150 ASSY BLD 2X10 BK A/12	334822198	A-BLACK	GCP	PLR	M-B	1	2	3	-	-	-	7	-	9	-	SALEABLE		34950-2011	34950-2021	34951-1631	34951-1641
						-	-	-	-	-	16	-	-	19	20						
MX150 ASSY BLD 2X10 BK A/6	334822199	A-BLACK	GCP	PLR	M-B	1	2	3	4	5	-	7	8	9	-	SALEABLE		34950-2011	34950-2021	34951-1631	34951-1641
						-	-	13	14	15	16	-	-	19	20						
MX150 ASSY BLD 2X10 BK A/8	334822200	A-BLACK	GCP	PLR	M-B	1	2	3	4	5	-	-	-	-	-	SALEABLE		34950-2011	34950-2021	34951-1631	34951-1641
						11	12	-	14	-	-	17	18	19	20						
MX150 ASSY BLD 2X10 BK A/12	334822201	A-BLACK	GCP	PLR	M-B	1	2	-	-	-	-	-	-	9	10	SALEABLE		34950-2011	34950-2021	34951-1631	34951-1641
						11	-	-	-	15	-	-	-	19	20						
MX150 ASSY BLD 2X10 BK A/12	334822202	A-BLACK	GCP	PLR	M-B	-	2	3	4	5	-	-	8	9	-	SALEABLE		34950-2011	34950-2021	34951-1631	34951-1641
						-	-	-	-	-	16	-	-	-	20						
MX150 ASSY BLD 2X10 BK A/14	334822203	A-BLACK	GCP	PLR	M-B	1	2	3	-	-	-	-	-	9	-	SALEABLE		34950-2011	34950-2021	34951-1631	34951-1641
						-	-	-	-	-	-	-	-	19	20						
MX150 ASSY BLD 2X10 BK A/11	334822204	A-BLACK	GCP	PLR	M-B	-	-	-	4	5	6	-	-	-	-	SALEABLE		34950-2011	34950-2021	34951-1631	34951-1641
						-	12	-	-	15	16	17	18	19	-						
MX150 ASSY BLD 2X10 LGB/12	334822205	B-LIGHT GRAY	GCP	PLR	M-B	-	-	3	4	5	-	-	8	9	10	SALEABLE		34950-2011	34950-2021	34951-1631	34951-1641
						-	-	-	14	-	-	-	-	19	-						
MX150 ASSY BLD 2X10 BK A/10	334822206	A-BLACK	GCP	PLR	M-B	1	2	3	4	5	6	-	-	-	-	SALEABLE		34950-2011	34950-2021	34951-1631	34951-1641
						-	-	-	-	-	-	17	18	19	20						
MX150 ASSY BLD 2X10 LGB/15	334822207	B-LIGHT GRAY	GCP	PLR	M-B	-	-	-	4	5	6	-	-	9	10	SALEABLE		34950-2011	34950-2021	34951-1631	34951-1641
						-	-	-	-	-	-	-	-	-	-						
MX150 ASSY BLD 2X10 LGB/17	334822208	B-LIGHT GRAY	GCP	PLR	M-B	-	-	-	-	-	-	-	-	9	10	SALEABLE		34950-2011	34950-2021	34951-1631	34951-1641
						11	-	-	-	-	-	-	-	-	-						
MX150 ASSY BLD 2X10 LGB/13	334822209	B-LIGHT GRAY	GCP	PLR	M-B	-	-	-	4	5	6	7	-	-	10	SALEABLE		34950-2011	34950-2021	34951-1631	34951-1641
						-	-	-	-	-	-	17	18	-	-						
MX150 ASSY BLD 2X10 BK A/13	334822210	A-BLACK	GCP	PLR	M-B	1	-	-	-	-	-	-	-	9	10	SALEABLE		34950-2011	34950-2021	34951-1631	34951-1641
						11	12	-	-	-	16	-	-	-	20						
MX150 ASSY BLD 2X10 BK A/12	334822211	A-BLACK	GCP	PLR	M-B	1	2	-	-	-	-	7	-	-	10	SALEABLE		34950-2011	34950-2021	34951-1631	34951-1641
						11	12	-	-	-	-	-	18	-	20						
MX150 ASSY BLD 2X10 BK A/17	334822213	A-BLACK	GCP	PLR	M-B	-	-	-	-	-	-	-	-	-	-	SALEABLE		34950-2011	34950-2021	34951-1631	34951-1641
						-	-	13	-	-	-	-	-	19	20						
MX150 ASSY BLD 2X10 BK A/19	334822214	A-BLACK	GCP	PLR	M-B	-	-	-	-	-	-	-	-	-	-	SALEABLE		34950-2011	34950-2021	34951-1631	34951-1641
						-	-	-	-	-	16	-	-	-	-						
MX150 ASSY BLD 2X10 BK A/15	334822215	A-BLACK	GCP	PLR	M-B	-	2	-	-	-	-	-	8	-	10	SALEABLE		34950-2011	34950-2021	34951-1631	34951-1641
						-	-	-	-	-	-	17	-	19	-						
MX150 ASSY BLD 2X10 BK A/18	334822216	A-BLACK	GCP	PLR	M-B	-	-	-	-	-	-	-	-	-	-	SALEABLE		34950-2011	34950-2021	34951-1631	34951-1641
						-	-	-	-	-	16	-	-	-	20						
MX150 ASSY BLD 2X10 BK A/16	334822217	A-BLACK	GCP	PLR	M-B	-	-	-	-	-	-	7	-	-	-	SALEABLE		34950-2011	34950-2021	34951-1631	34951-1641
						-	12	-	-	-	-	17	-	-	20						
MX150 ASSY BLD 2X10 BK A/12	334822218	A-BLACK	GCP	PLR	M-B	1	2	3	4	5	6	-	-	-	-	SALEABLE		34950-2011	34950-2021	34951-1631	34951-1641
						-	-	-	-	-	-	-	-	19	20						
MX150 ASSY BLD 2X10 BK A/18	334822219	A-BLACK	GCP	PLR	M-B	-	-	-	-	-	6	-	-	-	-	SALEABLE		34950-2011	34950-2021	34951-1631	34951-1641
						-	-	-	-	-	-	-	-	-	20						



ASSEMBLY DESCRIPTION	ASSEMBLY PART NUMBER	COMPONENT				BLOCKED TERMINALS										STATUS	COMMENT	OPTIONAL ATTACHMENTS SOLD SEPARATELY					
		THE PRESENCE OF AN ABBREVIATION INDICATES THE PRESENCE OF THAT COMPONENT				CAVITY WITH A NUMBER INDICATES BLOCKED TERMINAL POSITION CAVITY WITHOUT A NUMBER INDICATES OPEN TERMINAL POSITION												BACKSHELL WITH RIBS	BACKSHELL WITHOUT RIBS	90° ADAPTOR WITH RIBS	90° ADAPTOR WITHOUT RIBS		
		HOUSING KEY/COLOR	GROMMET CAP	PLR	MAT SEAL	1	2	3	4	5	6	7	8	9	10							11	12
MX150 ASSY BLD 2X10 BK A/10	334822220	A-BLACK	GCP	PLR	M-B	1	-	3	-	5	-	7	-	9	-	SALEABLE		34950-2011	34950-2021	34951-1631	34951-1641		
MX150 ASSY BLD 2X10 BK A/10	334822221	A-BLACK	GCP	PLR	M-B	-	2	-	4	-	6	-	8	-	10	SALEABLE		34950-2011	34950-2021	34951-1631	34951-1641		
MX150 ASSY BLD 2X10 BK A/14	334822222	A-BLACK	GCP	PLR	M-B	1	2	3	-	-	-	-	-	9	-	SALEABLE		34950-2011	34950-2021	34951-1631	34951-1641		
MX150 ASSY BLD 2X10 BK A/17	334822223	A-BLACK	GCP	PLR	M-B	-	-	-	-	-	7	-	-	-	-	SALEABLE		34950-2011	34950-2021	34951-1631	34951-1641		
MX150 ASSY BLD 2X10 BK A/15	334822224	A-BLACK	GCP	PLR	M-B	-	-	-	-	-	-	-	-	-	10	SALEABLE		34950-2011	34950-2021	34951-1631	34951-1641		
MX150 ASSY BLD 2X10 BK A/8	334822225	A-BLACK	GCP	PLR	M-B	1	2	3	4	5	6	-	8	-	10	SALEABLE		34950-2011	34950-2021	34951-1631	34951-1641		
MX150 ASSY BLD 2X10 LG B/16	334822226	B-LIGHT GRAY	GCP	PLR	M-B	-	-	-	-	-	-	-	-	-	-	SALEABLE		34950-2011	34950-2021	34951-1631	34951-1641		
MX150 ASSY BLD 2X10 BK A/12	334822227	A-BLACK	GCP	PLR	M-B	-	-	3	-	-	-	-	-	-	10	SALEABLE		34950-2011	34950-2021	34951-1631	34951-1641		
MX150 ASSY BLD 2X10 BK A/6	334822228	A-BLACK	GCP	PLR	M-B	-	-	3	4	5	6	7	8	9	10	SALEABLE		34950-2011	34950-2021	34951-1631	34951-1641		
MX150 ASSY BLD 2X10 BK A/7	334822229	A-BLACK	GCP	PLR	M-B	-	-	3	4	5	6	7	8	9	10	SALEABLE		34950-2011	34950-2021	34951-1631	34951-1641		
MX150 ASSY BLD 2X10 BK A/13	334822230	A-BLACK	GCP	PLR	M-B	-	-	3	-	-	-	-	-	-	10	SALEABLE		34950-2011	34950-2021	34951-1631	34951-1641		
MX150 ASSY BLD 2X10 BK A/10	334822231	A-BLACK	GCP	PLR	M-B	1	2	3	4	5	6	-	8	-	10	SALEABLE		34950-2011	34950-2021	34951-1631	34951-1641		
MX150 ASSY BLD 2X10 BK A/18	334822232	A-BLACK	GCP	PLR	M-B	-	-	-	-	-	-	-	-	-	-	SALEABLE		34950-2011	34950-2021	34951-1631	34951-1641		
MX150 ASSY BLD 2X10 LG B/7	334822233	B-LIGHT GRAY	GCP	PLR	M-B	1	2	3	4	5	6	7	8	-	-	SALEABLE		34950-2011	34950-2021	34951-1631	34951-1641		
MX150 ASSY BLD 2X10 LG B/15	334822234	B-LIGHT GRAY	GCP	PLR	M-B	-	-	-	-	-	-	-	-	-	-	SALEABLE		34950-2011	34950-2021	34951-1631	34951-1641		
MX150 ASSY BLD 2X10 LG B/15	334822235	B-LIGHT GRAY	GCP	PLR	M-B	-	2	3	-	-	-	-	-	-	-	SALEABLE		34950-2011	34950-2021	34951-1631	34951-1641		
MX150 ASSY BLD 2X10 BK A/8	334822236	A-BLACK	GCP	PLR	M-B	-	-	3	4	-	6	7	8	9	-	SALEABLE		34950-2011	34950-2021	34951-1631	34951-1641		
MX150 ASSY BLD 2X10 BK A/13	334822237	A-BLACK	GCP	PLR	M-B	-	-	3	4	5	6	7	-	-	-	SALEABLE		34950-2011	34950-2021	34951-1631	34951-1641		
MX150 ASSY BLD 2X10 BK A/17	334822238	A-BLACK	GCP	PLR	M-B	-	-	-	-	5	-	-	-	-	-	SALEABLE		34950-2011	34950-2021	34951-1631	34951-1641		
MX150 ASSY BLD 2X10 BK A/11	334822239	A-BLACK	GCP	PLR	M-B	-	-	3	4	5	6	7	-	-	10	SALEABLE		34950-2011	34950-2021	34951-1631	34951-1641		
MX150 ASSY BLD 2X10 BK A/15	334822240	A-BLACK	GCP	PLR	M-B	-	-	-	-	5	-	-	-	-	10	SALEABLE		34950-2011	34950-2021	34951-1631	34951-1641		
MX150 ASSY BLD 2X10 BK A/6	334822241	A-BLACK	GCP	PLR	M-B	-	-	3	4	-	6	7	8	9	10	SALEABLE		34950-2011	34950-2021	34951-1631	34951-1641		
MX150 ASSY BLD 2X10 BK A/12	334822242	A-BLACK	GCP	PLR	M-B	1	2	3	4	5	6	-	8	-	10	SALEABLE		34950-2011	34950-2021	34951-1631	34951-1641		
MX150 ASSY BLD 2X10 BK A/6	334822243	A-BLACK	GCP	PLR	M-B	1	2	3	-	-	-	-	8	9	-	SALEABLE		34950-2011	34950-2021	34951-1631	34951-1641		
MX150 ASSY BLD 2X10 BK A/4	334822244	A-BLACK	GCP	PLR	M-B	1	2	3	-	-	-	7	8	9	10	SALEABLE		34950-2011	34950-2021	34951-1631	34951-1641		
MX150 ASSY BLD 2X10 BK A/6	334822245	A-BLACK	GCP	PLR	M-B	-	2	3	-	-	-	7	8	9	10	SALEABLE		34950-2011	34950-2021	34951-1631	34951-1641		
MX150 ASSY BLD 2X10 BK A/4	334822246	A-BLACK	GCP	PLR	M-B	1	2	3	4	5	-	-	8	9	-	SALEABLE		34950-2011	34950-2021	34951-1631	34951-1641		

ASSEMBLY DESCRIPTION	ASSEMBLY PART NUMBER	COMPONENT				BLOCKED TERMINALS										STATUS	COMMENT	OPTIONAL ATTACHMENTS SOLD SEPARATELY			
		THE PRESENCE OF AN ABBREVIATION INDICATES THE PRESENCE OF THAT COMPONENT				CAVITY WITH A NUMBER INDICATES BLOCKED TERMINAL POSITION CAVITY WITHOUT A NUMBER INDICATES OPEN TERMINAL POSITION												BACKSHELL WITH RIBS	BACKSHELL WITHOUT RIBS	90° ADAPTOR WITH RIBS	90° ADAPTOR WITHOUT RIBS
		HOUSING KEY/COLOR	GROMMET CAP	PLR	MAT SEAL	1	2	3	4	5	6	7	8	9	10						
MX150 ASSY BLD 2X10 BK A/2	334822247	A-BLACK	GCP	PLR	M-B	1	2	3	4	5	-	7	8	9	10	SALEABLE		34950-2011	34950-2021	34951-1631	34951-1641
						-	12	13	14	15	16	17	18	19	20						
MX150 ASSY BLD 2X10 BK A/10	334822248	A-BLACK	GCP	PLR	M-B	-	2	-	-	-	-	-	8	-	-	SALEABLE		34950-2011	34950-2021	34951-1631	34951-1641
						-	12	13	14	15	-	17	18	19	20						
MX150 ASSY BLD 2X10 BK A/14	334822249	A-BLACK	GCP	PLR	M-B	-	2	-	-	-	-	-	8	-	-	SALEABLE		34950-2011	34950-2021	34951-1631	34951-1641
						-	-	-	-	-	-	17	18	19	20						
MX150 ASSY BLD 2X10 BK A/12	334822250	A-BLACK	GCP	PLR	M-B	-	-	-	-	-	-	-	-	-	-	SALEABLE		34950-2011	34950-2021	34951-1631	34951-1641
						-	12	13	14	15	-	17	18	19	20						
MX150 ASSY BLD 2X10 BK A/8	334822251	A-BLACK	GCP	PLR	M-B	1	2	3	4	5	6	7	8	-	-	SALEABLE		34950-2011	34950-2021	34951-1631	34951-1641
						-	-	-	-	-	-	17	18	19	20						
MX150 ASSY BLD 2X10 BK A/4	334822252	A-BLACK	GCP	PLR	M-B	1	2	3	4	5	6	7	8	-	-	SALEABLE		34950-2011	34950-2021	34951-1631	34951-1641
						-	12	13	14	15	-	17	18	19	20						
MX150 ASSY BLD 2X10 BK A/11	334822253	A-BLACK	GCP	PLR	M-B	1	2	3	-	-	-	-	-	9	10	SALEABLE		34950-2011	34950-2021	34951-1631	34951-1641
						11	12	-	-	-	16	-	-	-	20						
MX150 ASSY BLD 2X10 BK A/13	334822254	A-BLACK	GCP	PLR	M-B	1	-	-	-	-	-	-	-	9	10	SALEABLE		34950-2011	34950-2021	34951-1631	34951-1641
						11	-	-	-	-	16	-	-	19	20						
MX150 ASSY BLD 2X10 BK A/7	334822255	A-BLACK	GCP	PLR	M-B	1	2	3	4	5	-	7	8	9	-	SALEABLE		34950-2011	34950-2021	34951-1631	34951-1641
						-	-	-	-	-	16	17	18	19	20						
MX150 ASSY BLD 2X10 BK A/9	334822256	A-BLACK	GCP	PLR	M-B	1	2	3	-	-	-	7	-	9	-	SALEABLE		34950-2011	34950-2021	34951-1631	34951-1641
						-	-	13	14	15	16	-	-	19	20						
MX150 ASSY BLD 2X10 BK A/9	334822257	A-BLACK	GCP	PLR	M-B	1	2	3	4	5	-	7	8	9	-	SALEABLE		34950-2011	34950-2021	34951-1631	34951-1641
						-	-	-	-	-	16	-	-	19	20						
MX150 ASSY BLD 2X10 BK A/9	334822258	A-BLACK	GCP	PLR	M-B	1	2	3	-	-	-	7	-	9	10	SALEABLE		34950-2011	34950-2021	34951-1631	34951-1641
						11	12	-	-	-	16	-	-	19	20						
MX150 ASSY BLD 2X10 BK A/10	334822259	A-BLACK	GCP	PLR	M-B	1	2	3	4	5	6	-	8	9	-	SALEABLE		34950-2011	34950-2021	34951-1631	34951-1641
						-	-	-	-	-	16	-	-	-	20						
MX150 ASSY BLD 2X10 BK A/7	334822260	A-BLACK	GCP	PLR	M-B	1	2	3	-	-	6	-	-	9	10	SALEABLE		34950-2011	34950-2021	34951-1631	34951-1641
						11	12	13	14	15	16	-	-	-	20						
MX150 ASSY BLD 2X10 BK A/14	334822261	A-BLACK	GCP	PLR	M-B	-	2	-	-	-	-	-	8	-	10	SALEABLE		34950-2011	34950-2021	34951-1631	34951-1641
						11	-	-	-	15	16	-	-	-	-						
MX150 ASSY BLD 2X10 BK A/18	334822262	A-BLACK	GCP	PLR	M-B	-	2	-	-	-	-	-	8	-	-	SALEABLE		34950-2011	34950-2021	34951-1631	34951-1641
						-	-	-	-	-	-	-	-	-	-						
MX150 ASSY BLD 2X10 BK A/7	334822263	A-BLACK	GCP	PLR	M-B	1	2	3	4	5	6	7	8	-	10	SALEABLE		34950-2011	34950-2021	34951-1631	34951-1641
						-	-	-	14	15	-	17	-	19	-						
MX150 ASSY BLD 2X10 BK A/19	334822264	A-BLACK	GCP	PLR	M-B	-	-	-	-	5	-	-	-	-	-	SALEABLE		34950-2011	34950-2021	34951-1631	34951-1641
						-	-	-	-	-	-	-	-	-	-						
MX150 ASSY BLD 2X10 BK A/18	334822265	A-BLACK	GCP	PLR	M-B	-	-	-	-	-	-	-	-	-	-	SALEABLE		34950-2011	34950-2021	34951-1631	34951-1641
						-	-	-	-	-	-	17	18	-	-						
MX150 ASSY BLD 2X10 BK A/14	334822266	A-BLACK	GCP	PLR	M-B	-	-	3	-	-	-	-	-	-	-	SALEABLE		34950-2011	34950-2021	34951-1631	34951-1641
						-	-	-	-	-	16	17	18	19	20						
MX150 ASSY BLD 2X10 BK A/9	334822267	A-BLACK	GCP	PLR	M-B	1	-	3	-	-	-	7	-	-	10	SALEABLE		34950-2011	34950-2021	34951-1631	34951-1641
						-	12	13	14	15	-	17	18	19	-						
MX150 ASSY BLD 2X10 BK A/13	334822268	A-BLACK	GCP	PLR	M-B	1	-	-	-	-	-	7	-	-	10	SALEABLE		34950-2011	34950-2021	34951-1631	34951-1641
						-	12	13	-	-	-	17	18	-	-						
MX150 ASSY BLD 2X10 BK A/10	334822269	A-BLACK	GCP	PLR	M-B	1	2	-	-	-	-	-	8	9	10	SALEABLE		34950-2011	34950-2021	34951-1631	34951-1641
						-	12	13	-	-	16	17	18	-	-						
MX150 ASSY BLD 2X10 BK A/8	334822270	A-BLACK	GCP	PLR	M-B	1	2	-	4	5	-	-	8	9	10	SALEABLE		34950-2011	34950-2021	34951-1631	34951-1641
						-	12	13	-	-	16	17	18	-	-						
MX150 ASSY BLD 2X10 BK A/6	334822271	A-BLACK	GCP	PLR	M-B	1	2	3	-	-	-	-	8	9	10	SALEABLE		34950-2011	34950-2021	34951-1631	34951-1641
						-	12	13	14	15	16	17	18	19	-						
MX150 ASSY BLD 2X10 BK A/4	334822272	A-BLACK	GCP	PLR	M-B	1	2	3	4	5	-	-	8	9	10	SALEABLE		34950-2011	34950-2021	34951-1631	34951-1641
						-	12	13	14	15	16	17	18	19	-						
MX150 ASSY BLD 2X10 BK A/8	334822273	A-BLACK	GCP	PLR	M-B	1	2	-	-	-	-	7	8	9	10	SALEABLE		34950-2011	34950-2021	34951-1631	34951-1641
						-	12	13	-	-	16	17	18	-	20						

ASSEMBLY DESCRIPTION	ASSEMBLY PART NUMBER	COMPONENT				BLOCKED TERMINALS										STATUS	COMMENT	OPTIONAL ATTACHMENTS SOLD SEPARATELY			
		THE PRESENCE OF AN ABBREVIATION INDICATES THE PRESENCE OF THAT COMPONENT				CAVITY WITH A NUMBER INDICATES BLOCKED TERMINAL POSITION CAVITY WITHOUT A NUMBER INDICATES OPEN TERMINAL POSITION												BACKSHELL WITH RIBS	BACKSHELL WITHOUT RIBS	90° ADAPTOR WITH RIBS	90° ADAPTOR WITHOUT RIBS
		HOUSING KEY/COLOR	GROMMET CAP	PLR	MAT SEAL	1	2	3	-	-	-	7	8	9	10						
MX150 ASSY BLD 2X10 BK A/6	334822274	A-BLACK	GCP	PLR	M-B	1	2	3	-	-	-	7	8	9	10	SALEABLE		34950-2011	34950-2021	34951-1631	34951-1641
MX150 ASSY BLD 2X10 BK A/8	334822275	A-BLACK	GCP	PLR	M-B	-	2	3	-	-	-	7	8	9	10	SALEABLE		34950-2011	34950-2021	34951-1631	34951-1641
MX150 ASSY BLD 2X10 BK A/11	334822276	A-BLACK	GCP	PLR	M-B	-	2	-	-	-	-	7	8	9	10	SALEABLE		34950-2011	34950-2021	34951-1631	34951-1641
MX150 ASSY BLD 2X10 BK A/6	334822277	A-BLACK	GCP	PLR	M-B	1	2	-	4	5	-	7	8	9	10	SALEABLE		34950-2011	34950-2021	34951-1631	34951-1641
MX150 ASSY BLD 2X10 BK A/15	334822278	A-BLACK	GCP	PLR	M-B	-	-	-	-	-	-	-	-	-	10	SALEABLE		34950-2011	34950-2021	34951-1631	34951-1641
MX150 ASSY BLD 2X10 BK A/13	334822279	A-BLACK	GCP	PLR	M-B	-	-	3	4	-	-	-	-	-	10	SALEABLE		34950-2011	34950-2021	34951-1631	34951-1641
MX150 ASSY BLD 2X10 BK A/9	334822280	A-BLACK	GCP	PLR	M-B	-	-	3	4	-	-	-	-	-	10	SALEABLE		34950-2011	34950-2021	34951-1631	34951-1641
MX150 ASSY BLD 2X10 BK A/11	334822281	A-BLACK	GCP	PLR	M-B	-	-	-	-	-	-	-	-	-	10	SALEABLE		34950-2011	34950-2021	34951-1631	34951-1641
MX150 ASSY BLD 2X10 BK A/14	334822282	A-BLACK	GCP	PLR	M-B	-	2	3	-	-	6	-	-	-	10	SALEABLE		34950-2011	34950-2021	34951-1631	34951-1641
MX150 ASSY BLD 2X10 BK A/17	334822283	A-BLACK	GCP	PLR	M-B	-	-	-	4	-	-	-	-	-	-	SALEABLE		34950-2011	34950-2021	34951-1631	34951-1641
MX150 ASSY BLD 2X10 BK A/14	334822284	A-BLACK	GCP	PLR	M-B	-	-	3	4	-	-	-	-	-	-	SALEABLE		34950-2011	34950-2021	34951-1631	34951-1641
MX150 ASSY BLD 2X10 BK A/9	334822285	A-BLACK	GCP	PLR	M-B	1	2	3	-	-	6	7	-	-	10	SALEABLE		34950-2011	34950-2021	34951-1631	34951-1641
MX150 ASSY BLD 2X10 BK A/2	334822286	A-BLACK	GCP	PLR	M-B	1	2	3	-	-	6	7	8	9	10	SALEABLE		34950-2011	34950-2021	34951-1631	34951-1641
MX150 ASSY BLD 2X10 BK A/11	334822287	A-BLACK	GCP	PLR	M-B	1	2	3	4	5	6	-	8	-	10	SALEABLE		34950-2011	34950-2021	34951-1631	34951-1641
MX150 ASSY BLD 2X10 BK A/6	334822288	A-BLACK	GCP	PLR	M-B	1	2	3	-	-	-	-	-	9	10	SALEABLE		34950-2011	34950-2021	34951-1631	34951-1641
MX150 ASSY BLD 2X10 BK A/11	334822289	A-BLACK	GCP	PLR	M-B	-	-	3	-	-	-	-	-	9	10	SALEABLE		34950-2011	34950-2021	34951-1631	34951-1641
MX150 ASSY BLD 2X10 BK A/7	334822290	A-BLACK	GCP	PLR	M-B	1	2	3	4	5	6	7	8	-	-	SALEABLE		34950-2011	34950-2021	34951-1631	34951-1641
MX150 ASSY BLD 2X10 BK A/9	334822291	A-BLACK	GCP	PLR	M-B	1	2	3	4	5	6	7	8	-	-	SALEABLE		34950-2011	34950-2021	34951-1631	34951-1641
MX150 ASSY BLD 2X10 BK A/19	334822292	A-BLACK	GCP	PLR	M-B	-	-	-	-	-	-	-	-	-	-	SALEABLE		34950-2011	34950-2021	34951-1631	34951-1641
MX150 ASSY BLD 2X10 BK A/6	334822293	A-BLACK	GCP	PLR	M-B	1	2	3	4	-	-	7	8	9	-	SALEABLE		34950-2011	34950-2021	34951-1631	34951-1641
MX150 ASSY BLD 2X10 BK A/8	334822294	A-BLACK	GCP	PLR	M-B	1	2	3	-	-	-	7	8	9	-	SALEABLE		34950-2011	34950-2021	34951-1631	34951-1641
MX150 ASSY BLD 2X10 BK A/3	334822295	A-BLACK	GCP	PLR	M-B	-	2	3	4	5	6	7	8	9	10	SALEABLE		34950-2011	34950-2021	34951-1631	34951-1641
MX150 ASSY BLD 2X10 BK A/9	334822296	A-BLACK	GCP	PLR	M-B	-	2	3	4	-	-	7	8	9	-	SALEABLE		34950-2011	34950-2021	34951-1631	34951-1641
MX150 ASSY BLD 2X10 BK A/11	334822297	A-BLACK	GCP	PLR	M-B	-	2	3	-	-	-	7	8	9	-	SALEABLE		34950-2011	34950-2021	34951-1631	34951-1641
MX150 ASSY BLD 2X10 BK A/12	334822298	A-BLACK	GCP	PLR	M-B	1	-	3	4	-	-	-	-	9	-	SALEABLE		34950-2011	34950-2021	34951-1631	34951-1641
MX150 ASSY BLD 2X10 BK A/14	334822299	A-BLACK	GCP	PLR	M-B	1	-	3	-	-	-	-	-	9	-	SALEABLE		34950-2011	34950-2021	34951-1631	34951-1641
MX150 ASSY BLD 2X10 BK A/15	334822300	A-BLACK	GCP	PLR	M-B	-	-	3	4	-	-	-	-	9	-	SALEABLE		34950-2011	34950-2021	34951-1631	34951-1641

ASSEMBLY DESCRIPTION	ASSEMBLY PART NUMBER	COMPONENT				BLOCKED TERMINALS										STATUS	COMMENT	OPTIONAL ATTACHMENTS SOLD SEPARATELY			
		THE PRESENCE OF AN ABBREVIATION INDICATES THE PRESENCE OF THAT COMPONENT				CAVITY WITH A NUMBER INDICATES BLOCKED TERMINAL POSITION CAVITY WITHOUT A NUMBER INDICATES OPEN TERMINAL POSITION												BACKSHELL WITH RIBS	BACKSHELL WITHOUT RIBS	90° ADAPTOR WITH RIBS	90° ADAPTOR WITHOUT RIBS
		HOUSING KEY/COLOR	GROMMET CAP	PLR	MAT SEAL																
MX150 ASSY BLD 2X10 BK A/17	334822301	A-BLACK	GCP	PLR	M-B	-	-	3	-	-	-	-	-	9	-	SALEABLE		34950-2011	34950-2021	34951-1631	34951-1641
MX150 ASSY BLD 2X10 BK A/17	334822302	A-BLACK	GCP	PLR	M-B	-	-	12	-	-	-	-	-	9	-	SALEABLE		34950-2011	34950-2021	34951-1631	34951-1641
MX150 ASSY BLD 2X10 BK A/11	334822303	A-BLACK	GCP	PLR	M-B	-	-	13	-	-	-	-	-	9	-	SALEABLE		34950-2011	34950-2021	34951-1631	34951-1641
MX150 ASSY BLD 2X10 BK A/15	334822304	A-BLACK	GCP	PLR	M-B	-	2	-	-	-	-	-	8	9	-	SALEABLE		34950-2011	34950-2021	34951-1631	34951-1641
MX150 ASSY BLD 2X10 BK A/9	334822305	A-BLACK	GCP	PLR	M-B	-	2	-	-	-	-	-	8	9	-	SALEABLE		34950-2011	34950-2021	34951-1631	34951-1641
MX150 ASSY BLD 2X10 BK A/9	334822306	A-BLACK	GCP	PLR	M-B	1	2	3	4	5	6	7	8	9	-	SALEABLE		34950-2011	34950-2021	34951-1631	34951-1641
MX150 ASSY BLD 2X10 BK A/3	334822307	A-BLACK	GCP	PLR	M-B	1	2	3	4	5	6	7	8	9	-	SALEABLE		34950-2011	34950-2021	34951-1631	34951-1641
MX150 ASSY BLD 2X10 BK A/3	334822308	A-BLACK	GCP	PLR	M-B	1	2	3	-	-	6	7	8	9	10	SALEABLE		34950-2011	34950-2021	34951-1631	34951-1641
MX150 ASSY BLD 2X10 BK A/13	334822309	A-BLACK	GCP	PLR	M-B	1	2	3	4	5	-	-	-	-	-	SALEABLE		34950-2011	34950-2021	34951-1631	34951-1641
MX150 ASSY BLD 2X10 BK A/13	334822310	A-BLACK	GCP	PLR	M-B	-	2	3	-	5	-	-	-	-	-	SALEABLE		34950-2011	34950-2021	34951-1631	34951-1641
MX150 ASSY BLD 2X10 BK A/3	334822311	A-BLACK	GCP	PLR	M-B	-	2	3	4	5	-	7	8	9	10	SALEABLE		34950-2011	34950-2021	34951-1631	34951-1641
MX150 ASSY BLD 2X10 BK A/13	334822312	A-BLACK	GCP	PLR	M-B	-	2	-	-	5	6	-	-	9	10	SALEABLE		34950-2011	34950-2021	34951-1631	34951-1641
MX150 ASSY BLD 2X10 BK A/13	334822313	A-BLACK	GCP	PLR	M-B	1	-	3	-	-	6	-	-	9	10	SALEABLE		34950-2011	34950-2021	34951-1631	34951-1641
MX150 ASSY BLD 2X10 BK A/14	334822314	A-BLACK	GCP	PLR	M-B	-	-	-	-	-	-	-	-	9	10	SALEABLE		34950-2011	34950-2021	34951-1631	34951-1641
MX150 ASSY BLD 2X10 BK A/8	334822315	A-BLACK	GCP	PLR	M-B	-	-	-	-	-	-	-	-	9	10	SALEABLE		34950-2011	34950-2021	34951-1631	34951-1641
MX150 ASSY BLD 2X10 BK A/12	334822316	A-BLACK	GCP	PLR	M-B	-	2	-	-	-	-	-	8	9	10	SALEABLE		34950-2011	34950-2021	34951-1631	34951-1641
MX150 ASSY BLD 2X10 BK A/6	334822317	A-BLACK	GCP	PLR	M-B	-	2	-	-	-	-	-	8	9	10	SALEABLE		34950-2011	34950-2021	34951-1631	34951-1641
MX150 ASSY BLD 2X10 BK A/6	334822318	A-BLACK	GCP	PLR	M-B	1	2	3	4	5	6	7	8	9	10	SALEABLE		34950-2011	34950-2021	34951-1631	34951-1641
MX150 ASSY BLD 2X10 BK A/15	334822319	A-BLACK	GCP	PLR	M-B	1	2	3	-	-	6	7	-	-	-	SALEABLE		34950-2011	34950-2021	34951-1631	34951-1641
MX150 ASSY BLD 2X10 BK A/17	334822320	A-BLACK	GCP	PLR	M-B	-	2	3	-	-	6	-	-	-	-	SALEABLE		34950-2011	34950-2021	34951-1631	34951-1641
MX150 ASSY BLD 2X10 BK A/5	334822321	A-BLACK	GCP	PLR	M-B	1	2	3	4	5	6	7	8	9	-	SALEABLE		34950-2011	34950-2021	34951-1631	34951-1641
MX150 ASSY BLD 2X10 BK A/11	334822322	A-BLACK	GCP	PLR	M-B	1	2	3	4	5	-	-	8	9	-	SALEABLE		34950-2011	34950-2021	34951-1631	34951-1641
MX150 ASSY BLD 2X10 BK A/5	334822323	A-BLACK	GCP	PLR	M-B	1	2	3	-	-	6	7	-	9	10	SALEABLE		34950-2011	34950-2021	34951-1631	34951-1641
MX150 ASSY BLD 2X10 BK A/6	334822324	A-BLACK	GCP	PLR	M-B	1	2	3	4	5	6	7	8	-	10	SALEABLE		34950-2011	34950-2021	34951-1631	34951-1641
MX150 ASSY BLD 2X10 LG B/16	334822325	B-LIGHT GRAY	GCP	PLR	M-B	-	-	-	-	-	-	-	-	-	-	SALEABLE		34950-2011	34950-2021	34951-1631	34951-1641
MX150 ASSY BLD 2X10 BK A/6	334822326	A-BLACK	GCP	PLR	M-B	1	2	-	-	-	6	7	8	9	10	SALEABLE		34950-2011	34950-2021	34951-1631	34951-1641
MX150 ASSY BLD 2X10 BK A/4	334822327	A-BLACK	GCP	PLR	M-B	1	2	-	4	5	6	7	8	9	10	SALEABLE		34950-2011	34950-2021	34951-1631	34951-1641

ASSEMBLY DESCRIPTION	ASSEMBLY PART NUMBER	COMPONENT				BLOCKED TERMINALS										STATUS	COMMENT	OPTIONAL ATTACHMENTS SOLD SEPARATELY													
		THE PRESENCE OF AN ABBREVIATION INDICATES THE PRESENCE OF THAT COMPONENT				CAVITY WITH A NUMBER INDICATES BLOCKED TERMINAL POSITION CAVITY WITHOUT A NUMBER INDICATES OPEN TERMINAL POSITION												BACKSHELL WITH RIBS	BACKSHELL WITHOUT RIBS	90° ADAPTOR WITH RIBS	90° ADAPTOR WITHOUT RIBS										
		HOUSING KEY/COLOR	GROMMET CAP	PLR	MAT SEAL	1	2	3	4	5	6	7	8	9	10							11	12	13	14	15	16	17	18	19	20
MX150 ASSY BLD 2X10 BK A/13	334822328	A-BLACK	GCP	PLR	M-B	-	-	-	-	-	-	7	8	9	10	11	-	13	-	-	16	-	-	-	-	SALEABLE		34950-2011	34950-2021	34951-1631	34951-1641
MX150 ASSY BLD 2X10 LG B/14	334822329	B-LIGHT GRAY	GCP	PLR	M-B	-	-	-	-	-	-	-	-	-	10	11	-	-	-	15	16	17	-	-	20	SALEABLE		34950-2011	34950-2021	34951-1631	34951-1641
MX150 ASSY BLD 2X10 BK A/15	334822330	A-BLACK	GCP	PLR	M-B	-	2	-	-	5	6	-	-	9	10	-	-	-	-	-	-	-	-	-	-	SALEABLE		34950-2011	34950-2021	34951-1631	34951-1641
MX150 ASSY BLD 2X10 BK A/16	334822331	A-BLACK	GCP	PLR	M-B	-	2	-	-	-	6	-	-	9	10	-	-	-	-	-	-	-	-	-	-	SALEABLE		34950-2011	34950-2021	34951-1631	34951-1641
MX150 ASSY BLD 2X10 BK A/17	334822332	A-BLACK	GCP	PLR	M-B	-	-	-	-	-	6	-	-	9	10	-	-	-	-	-	-	-	-	-	-	SALEABLE		34950-2011	34950-2021	34951-1631	34951-1641
MX150 ASSY BLD 2X10 BK A/7	334822334	A-BLACK	GCP	PLR	M-B	-	-	3	4	-	6	7	-	9	10	-	-	13	14	-	16	17	18	19	20	SALEABLE		34950-2011	34950-2021	34951-1631	34951-1641
MX150 ASSY BLD 2X10 BK A/14	334822335	A-BLACK	GCP	PLR	M-B	-	-	3	4	-	-	7	-	-	10	-	-	-	-	-	16	17	-	-	-	SALEABLE		34950-2011	34950-2021	34951-1631	34951-1641
MX150 ASSY BLD 2X10 LG B/14	334822336	B-LIGHT GRAY	GCP	PLR	M-B	-	-	-	-	-	-	-	-	-	-	-	-	-	14	15	-	17	18	19	20	SALEABLE		34950-2011	34950-2021	34951-1631	34951-1641
MX150 ASSY BLD 2X10 LG B/18	334822337	B-LIGHT GRAY	GCP	PLR	M-B	-	-	-	-	-	-	-	-	-	-	-	-	-	-	-	-	-	-	19	20	SALEABLE		34950-2011	34950-2021	34951-1631	34951-1641
MX150 ASSY BLD 2X10 LG B/16	334822338	B-LIGHT GRAY	GCP	PLR	M-B	-	2	-	4	-	-	-	-	-	-	-	-	-	-	-	-	-	19	20	SALEABLE		34950-2011	34950-2021	34951-1631	34951-1641	
MX150 ASSY BLD 2X10 LG B/9	334822339	B-LIGHT GRAY	GCP	PLR	M-B	-	-	-	-	5	6	-	-	-	-	11	12	13	14	15	-	17	18	19	20	SALEABLE		34950-2011	34950-2021	34951-1631	34951-1641
MX150 ASSY BLD 2X10 BK A/14	334822340	A-BLACK	GCP	PLR	M-B	-	2	3	-	5	6	-	-	-	-	-	12	13	-	-	-	-	-	-	-	SALEABLE		34950-2011	34950-2021	34951-1631	34951-1641
MX150 ASSY BLD 2X10 BK A/17	334822341	A-BLACK	GCP	PLR	M-B	-	-	-	-	5	6	-	-	-	-	-	-	-	-	-	-	-	19	-	SALEABLE		34950-2011	34950-2021	34951-1631	34951-1641	
MX150 ASSY BLD 2X10 LG B/10	334822342	B-LIGHT GRAY	GCP	PLR	M-B	-	-	-	-	5	6	-	-	-	-	11	12	13	14	15	-	17	18	-	20	SALEABLE		34950-2011	34950-2021	34951-1631	34951-1641
MX150 ASSY BLD 2X10 LG B/17	334822343	B-LIGHT GRAY	GCP	PLR	M-B	-	-	-	-	-	-	-	-	-	-	-	-	-	-	-	-	17	18	-	20	SALEABLE		34950-2011	34950-2021	34951-1631	34951-1641
MX150 ASSY BLD 2X10 LG B/15	334822344	B-LIGHT GRAY	GCP	PLR	M-B	-	-	-	-	-	-	-	-	-	-	-	-	-	14	15	-	17	18	-	20	SALEABLE		34950-2011	34950-2021	34951-1631	34951-1641
MX150 ASSY BLD 2X10 LG B/19	334822345	B-LIGHT GRAY	GCP	PLR	M-B	-	-	-	-	-	-	-	-	-	-	-	-	-	-	-	-	-	-	20	SALEABLE		34950-2011	34950-2021	34951-1631	34951-1641	
MX150 ASSY BLD 2X10 BK A/18	334822346	A-BLACK	GCP	PLR	M-B	-	-	-	-	-	-	-	-	-	-	-	-	-	-	-	-	-	19	20	SALEABLE		34950-2011	34950-2021	34951-1631	34951-1641	
MX150 ASSY BLD 2X10 BK A/4	334822347	A-BLACK	GCP	PLR	M-B	-	2	3	4	5	6	7	8	9	-	-	12	13	14	15	16	17	18	19	-	SALEABLE		34950-2011	34950-2021	34951-1631	34951-1641
MX150 ASSY BLD 2X10 BK A/16	334822348	A-BLACK	GCP	PLR	M-B	-	2	-	-	-	6	-	-	-	10	-	-	-	-	15	-	-	-	-	-	SALEABLE		34950-2011	34950-2021	34951-1631	34951-1641
MX150 ASSY BLD 2X10 BK A/12	334822349	A-BLACK	GCP	PLR	M-B	-	-	3	4	5	-	7	-	-	10	-	-	-	-	-	-	-	18	19	20	SALEABLE		34950-2011	34950-2021	34951-1631	34951-1641
MX150 ASSY BLD 2X10 BK A/9	334822350	A-BLACK	GCP	PLR	M-B	-	-	3	4	-	6	-	8	9	-	-	12	13	14	15	16	17	-	-	-	SALEABLE		34950-2011	34950-2021	34951-1631	34951-1641
MX150 ASSY BLD 2X10 BK A/15	334822351	A-BLACK	GCP	PLR	M-B	-	-	3	4	5	-	-	-	-	-	-	-	-	-	-	-	-	18	19	-	SALEABLE		34950-2011	34950-2021	34951-1631	34951-1641
MX150 ASSY BLD 2X10 BK A/14	334822352	A-BLACK	GCP	PLR	M-B	-	-	3	4	5	6	-	-	-	-	-	-	-	-	-	-	-	18	19	-	SALEABLE		34950-2011	34950-2021	34951-1631	34951-1641
MX150 ASSY BLD 2X10 LG B/17	334822353	B-LIGHT GRAY	GCP	PLR	M-B	-	-	-	-	5	6	-	-	-	-	-	-	-	-	-	-	-	-	19	-	SALEABLE		34950-2011	34950-2021	34951-1631	34951-1641
MX150 ASSY BLD 2X10 BK A/15	334822354	A-BLACK	GCP	PLR	M-B	-	2	3	-	-	6	-	-	-	10	-	12	-	-	-	-	-	-	-	-	SALEABLE		34950-2011	34950-2021	34951-1631	34951-1641
MX150 ASSY BLD 2X10 BK A/8	334822355	A-BLACK	GCP	PLR	M-B	1	-	3	4	5	6	7	8	9	10	11	12	-	-	-	-	-	-	-	20	SALEABLE		34950-2011	34950-2021	34951-1631	34951-1641

ASSEMBLY DESCRIPTION	ASSEMBLY PART NUMBER	COMPONENT				BLOCKED TERMINALS										STATUS	COMMENT	OPTIONAL ATTACHMENTS SOLD SEPARATELY															
		THE PRESENCE OF AN ABBREVIATION INDICATES THE PRESENCE OF THAT COMPONENT				CAVITY WITH A NUMBER INDICATES BLOCKED TERMINAL POSITION CAVITY WITHOUT A NUMBER INDICATES OPEN TERMINAL POSITION												BACKSHELL WITH RIBS	BACKSHELL WITHOUT RIBS	90° ADAPTOR WITH RIBS	90° ADAPTOR WITHOUT RIBS												
		HOUSING KEY/COLOR	GROMMET CAP	PLR	MAT SEAL	1	2	3	4	5	6	7	8	9	10							11	12	13	14	15	16	17	18	19	20		
MX150 ASSY BLD 2X10 BK A/14	334822356	A-BLACK	GCP	PLR	M-B	1	-	-	-	-	-	-	-	9	10	11	12	-	-	-	-	-	-	-	-	-	20	SALEABLE		34950-2011	34950-2021	34951-1631	34951-1641
MX150 ASSY BLD 2X10 LGB/6	334822357	B-LIGHT GRAY	GCP	PLR	M-B	-	-	-	-	5	6	7	8	9	10	11	12	13	14	-	-	17	18	19	20	SALEABLE		34950-2011	34950-2021	34951-1631	34951-1641		
MX150 ASSY BLD 2X10 BK A/12	334822358	A-BLACK	GCP	PLR	M-B	-	-	-	-	5	-	-	-	9	-	-	12	-	-	15	16	-	18	19	20	SALEABLE		34950-2011	34950-2021	34951-1631	34951-1641		
MX150 ASSY BLD 2X10 LGB/8	334822359	B-LIGHT GRAY	GCP	PLR	M-B	1	2	3	4	5	6	7	8	-	-	-	-	13	-	-	16	-	-	19	20	SALEABLE		34950-2011	34950-2021	34951-1631	34951-1641		
MX150 ASSY BLD 2X10 BK A/11	334822360	A-BLACK	GCP	PLR	M-B	1	2	-	-	-	-	-	8	9	10	-	-	-	14	-	-	17	18	19	-	SALEABLE		34950-2011	34950-2021	34951-1631	34951-1641		
MX150 ASSY BLD 2X10 BK A/11	334822361	A-BLACK	GCP	PLR	M-B	1	2	-	-	-	-	-	-	9	10	-	-	-	14	-	16	17	18	19	-	SALEABLE		34950-2011	34950-2021	34951-1631	34951-1641		
MX150 ASSY BLD 2X10 BK A/14	334822362	A-BLACK	GCP	PLR	M-B	-	-	-	-	-	-	-	-	9	10	-	-	-	14	-	-	17	18	19	-	SALEABLE		34950-2011	34950-2021	34951-1631	34951-1641		
MX150 ASSY BLD 2X10 BK A/10	334822363	A-BLACK	GCP	PLR	M-B	1	2	3	-	-	6	7	-	-	10	11	12	-	-	-	16	-	-	19	-	SALEABLE		34950-2011	34950-2021	34951-1631	34951-1641		
MX150 ASSY BLD 2X10 BK A/8	334822364	A-BLACK	GCP	PLR	M-B	1	-	-	-	-	-	-	8	9	10	-	12	-	14	15	16	17	18	19	20	SALEABLE		34950-2011	34950-2021	34951-1631	34951-1641		
MX150 ASSY BLD 2X10 BK A/12	334822365	A-BLACK	GCP	PLR	M-B	1	-	-	-	-	-	-	-	-	-	-	-	-	14	15	16	17	18	19	20	SALEABLE		34950-2011	34950-2021	34951-1631	34951-1641		
MX150 ASSY BLD 2X10 BK A/6	334822366	A-BLACK	GCP	PLR	M-B	1	-	-	-	-	-	-	8	9	10	11	12	13	14	15	16	17	18	19	20	SALEABLE		34950-2011	34950-2021	34951-1631	34951-1641		
MX150 ASSY BLD 2X10 BK A/16	334822367	A-BLACK	GCP	PLR	M-B	1	-	-	-	-	-	-	-	-	-	11	-	-	-	-	-	-	-	19	20	SALEABLE		34950-2011	34950-2021	34951-1631	34951-1641		
MX150 ASSY BLD 2X10 BK A/16	334822368	A-BLACK	GCP	PLR	M-B	-	-	3	-	-	6	-	8	9	-	-	-	-	-	-	-	-	-	-	-	SALEABLE		34950-2011	34950-2021	34951-1631	34951-1641		
MX150 ASSY BLD 2X10 BK A/15	334822369	A-BLACK	GCP	PLR	M-B	-	-	-	-	-	-	-	-	9	-	-	-	-	-	-	-	17	18	19	20	SALEABLE		34950-2011	34950-2021	34951-1631	34951-1641		
MX150 ASSY BLD 2X10 BK A/18	334822370	A-BLACK	GCP	PLR	M-B	-	-	-	-	-	6	-	-	-	-	-	-	-	-	-	-	-	-	19	-	SALEABLE		34950-2011	34950-2021	34951-1631	34951-1641		
MX150 ASSY BLD 2X10 LGB/18	334822371	B-LIGHT GRAY	GCP	PLR	M-B	-	-	-	-	-	6	-	-	-	-	-	-	-	-	-	-	-	-	19	-	SALEABLE		34950-2011	34950-2021	34951-1631	34951-1641		
MX150 ASSY BLD 2X10 BK A/10	334822372	A-BLACK	GCP	PLR	M-B	1	2	-	-	-	-	7	8	9	10	-	12	13	-	-	-	17	18	-	-	SALEABLE		34950-2011	34950-2021	34951-1631	34951-1641		
MX150 ASSY BLD 2X10 BK A/14	334822373	A-BLACK	GCP	PLR	M-B	-	-	3	-	5	6	-	-	-	-	11	12	13	-	-	-	-	-	-	-	SALEABLE		34950-2011	34950-2021	34951-1631	34951-1641		
MX150 ASSY BLD 2X10 BK A/16	334822374	A-BLACK	GCP	PLR	M-B	-	-	3	-	-	6	-	-	-	-	-	12	13	-	-	-	-	-	-	-	SALEABLE		34950-2011	34950-2021	34951-1631	34951-1641		
MX150 ASSY BLD 2X10 BK A/18	334822375	A-BLACK	GCP	PLR	M-B	-	-	-	-	-	-	-	8	-	-	-	-	-	-	-	-	17	-	-	-	SALEABLE		34950-2011	34950-2021	34951-1631	34951-1641		
MX150 ASSY BLD 2X10 BK A/15	334822376	A-BLACK	GCP	PLR	M-B	-	-	-	-	5	-	-	8	-	-	11	-	-	14	-	-	17	-	-	-	SALEABLE		34950-2011	34950-2021	34951-1631	34951-1641		
MX150 ASSY BLD 2X10 BK A/12	334822377	A-BLACK	GCP	PLR	M-B	1	-	3	-	5	6	7	-	-	-	11	12	13	-	-	-	-	-	-	-	SALEABLE		34950-2011	34950-2021	34951-1631	34951-1641		
MX150 ASSY BLD 2X10 BK A/12	334822378	A-BLACK	GCP	PLR	M-B	1	-	3	4	-	-	-	-	9	-	11	12	13	-	-	-	-	-	-	20	SALEABLE		34950-2011	34950-2021	34951-1631	34951-1641		
MX150 ASSY BLD 2X10 BK A/15	334822379	A-BLACK	GCP	PLR	M-B	-	-	-	-	-	-	-	-	9	-	11	12	13	-	-	-	-	-	-	20	SALEABLE		34950-2011	34950-2021	34951-1631	34951-1641		
MX150 ASSY BLD 2X10 BK A/12	334822380	A-BLACK	GCP	PLR	M-B	-	2	3	-	5	6	-	8	-	-	11	12	13	-	-	-	-	-	-	-	SALEABLE		34950-2011	34950-2021	34951-1631	34951-1641		
MX150 ASSY BLD 2X10 BK A/14	334822381	A-BLACK	GCP	PLR	M-B	-	2	3	-	-	6	-	8	-	-	-	12	13	-	-	-	-	-	-	-	SALEABLE		34950-2011	34950-2021	34951-1631	34951-1641		
MX150 ASSY BLD 2X10 BK A/10	334822382	A-BLACK	GCP	PLR	M-B	1	2	3	-	5	6	7	8	-	-	11	12	13	-	-	-	-	-	-	-	SALEABLE		34950-2011	34950-2021	34951-1631	34951-1641		

ASSEMBLY DESCRIPTION	ASSEMBLY PART NUMBER	COMPONENT				BLOCKED TERMINALS										STATUS	COMMENT	OPTIONAL ATTACHMENTS SOLD SEPARATELY			
		THE PRESENCE OF AN ABBREVIATION INDICATES THE PRESENCE OF THAT COMPONENT				CAVITY WITH A NUMBER INDICATES BLOCKED TERMINAL POSITION CAVITY WITHOUT A NUMBER INDICATES OPEN TERMINAL POSITION												BACKSHELL WITH RIBS	BACKSHELL WITHOUT RIBS	90° ADAPTOR WITH RIBS	90° ADAPTOR WITHOUT RIBS
		HOUSING KEY/COLOR	GROMMET CAP	PLR	MAT SEAL																
MX150 ASSY BLD 2X10 BK A/15	334822383	A-BLACK	GCP	PLR	M-B	-	-	-	-	-	-	-	-	9	10	SALEABLE		34950-2011	34950-2021	34951-1631	34951-1641
						11	12	-	-	-	-	-	-	-	20						
MX150 ASSY BLD 2X10 BK A/13	334822384	A-BLACK	GCP	PLR	M-B	1	-	3	4	-	-	-	-	9	10	SALEABLE		34950-2011	34950-2021	34951-1631	34951-1641
						-	12	-	-	-	-	-	-	-	20						
MX150 ASSY BLD 2X10 BK A/8	334822385	A-BLACK	GCP	PLR	M-B	1	2	3	4	5	6	-	8	-	-	SALEABLE		34950-2011	34950-2021	34951-1631	34951-1641
						-	-	13	-	-	-	17	18	19	20						
MX150 ASSY BLD 2X10 BK A/14	334822386	A-BLACK	GCP	PLR	M-B	-	-	-	-	-	-	7	-	9	-	SALEABLE		34950-2011	34950-2021	34951-1631	34951-1641
						-	-	-	14	15	-	-	-	19	20						
MX150 ASSY BLD 2X10 BK A/10	334822387	A-BLACK	GCP	PLR	M-B	1	2	3	4	5	6	-	8	-	-	SALEABLE		34950-2011	34950-2021	34951-1631	34951-1641
						-	-	13	-	-	-	-	-	19	20						
MX150 ASSY BLD 2X10 BK A/12	334822388	A-BLACK	GCP	PLR	M-B	1	-	3	4	-	-	-	-	9	10	SALEABLE		34950-2011	34950-2021	34951-1631	34951-1641
						11	12	-	-	-	-	-	-	-	20						
MX150 ASSY BLD 2X10 BK A/15	334822389	A-BLACK	GCP	PLR	M-B	-	-	-	-	-	-	-	-	9	10	SALEABLE		34950-2011	34950-2021	34951-1631	34951-1641
						11	12	-	-	-	-	-	-	-	20						
MX150 ASSY BLD 2X10 BK A/20	334822390	A-BLACK	GOO	PLR	M-B	-	-	-	-	-	-	-	-	-	-	SALEABLE		34950-2011	34950-2021	34951-1631	34951-1641
						-	-	-	-	-	-	-	-	-	-						
MX150 ASSY BLD 2X10 BK A/13	334822391	A-BLACK	GCP	PLR	M-B	-	-	3	-	-	-	-	-	-	-	SALEABLE		34950-2011	34950-2021	34951-1631	34951-1641
						11	-	-	-	-	16	17	18	19	20						
MX150 ASSY BLD 2X10 BK A/11	334822392	A-BLACK	GCP	PLR	M-B	-	-	3	-	-	-	-	-	-	-	SALEABLE		34950-2011	34950-2021	34951-1631	34951-1641
						11	12	13	-	-	16	17	18	19	20						
MX150 ASSY BLD 2X10 BK A/8	334822393	A-BLACK	GCP	PLR	M-B	1	-	3	-	-	-	-	-	9	10	SALEABLE		34950-2011	34950-2021	34951-1631	34951-1641
						11	12	13	-	-	16	17	18	19	20						
MX150 ASSY BLD 2X10 BK A/10	334822394	A-BLACK	GCP	PLR	M-B	1	-	3	-	-	-	-	-	9	10	SALEABLE		34950-2011	34950-2021	34951-1631	34951-1641
						11	-	-	-	-	16	17	18	19	20						
MX150 ASSY BLD 2X10 BK A/19	334822395	A-BLACK	GCP	PLR	M-B	-	-	-	-	-	-	-	-	-	-	SALEABLE		34950-2011	34950-2021	34951-1631	34951-1641
						-	-	-	-	-	-	-	18	-	-						
MX150 ASSY BLD 2X10 SG D/19	334822396	D-STONE GRAY	GCP	PLR	M-B	1	-	-	-	-	-	-	-	-	-	SALEABLE		34950-2011	34950-2021	34951-1631	34951-1641
						-	-	-	-	-	-	-	-	-	-						
MX150 ASSY BLD 2X10 DG C/19	334822397	C-DARK GRAY	GCP	PLR	M-B	1	-	-	-	-	-	-	-	-	-	SALEABLE		34950-2011	34950-2021	34951-1631	34951-1641
						-	-	-	-	-	-	-	-	-	-						
MX150 ASSY BLD 2X10 BK A/18	334822398	A-BLACK	GCP	PLR	M-B	-	-	-	-	-	-	-	-	-	-	SALEABLE		34950-2011	34950-2021	34951-1631	34951-1641
						-	-	-	-	-	-	-	-	19	20						
MX150 ASSY BLD 2X10 BK A/9	334822399	A-BLACK	GCP	PLR	M-B	1	2	-	-	-	-	-	-	-	-	SALEABLE		34950-2011	34950-2021	34951-1631	34951-1641
						-	12	13	14	15	16	17	18	19	20						
MX150 ASSY BLD 2X10 BK A/16	334822400	A-BLACK	GCP	PLR	M-B	1	2	-	-	-	-	-	-	-	-	SALEABLE		34950-2011	34950-2021	34951-1631	34951-1641
						-	-	-	-	-	-	-	-	19	20						
MX150 ASSY BLD 2X10 BK A/18	334822401	A-BLACK	GCP	PLR	M-B	-	-	-	-	-	-	-	-	-	-	SALEABLE		34950-2011	34950-2021	34951-1631	34951-1641
						-	12	-	14	-	-	-	-	-	-						
MX150 ASSY BLD 2X10 BK A/13	334822402	A-BLACK	GCP	PLR	M-B	-	-	3	-	-	6	-	-	-	-	SALEABLE		34950-2011	34950-2021	34951-1631	34951-1641
						11	-	-	-	-	-	17	18	19	20						
MX150 ASSY BLD 2X10 BK A/16	334822403	A-BLACK	GCP	PLR	M-B	1	-	-	-	-	-	-	8	9	-	SALEABLE		34950-2011	34950-2021	34951-1631	34951-1641
						-	-	-	-	-	16	-	-	-	-						
MX150 ASSY BLD 2X10 BK A/6	334822404	A-BLACK	GCP	PLR	M-B	1	2	3	4	5	6	7	8	-	-	SALEABLE		34950-2011	34950-2021	34951-1631	34951-1641
						-	12	13	14	-	16	-	-	19	20						
MX150 ASSY BLD 2X10 BK A/17	334822405	A-BLACK	GCP	PLR	M-B	-	-	-	-	-	-	-	-	-	-	SALEABLE		34950-2011	34950-2021	34951-1631	34951-1641
						-	-	-	-	15	-	-	-	19	20						
MX150 ASSY BLD 2X10 BK A/14	334822406	A-BLACK	GCP	PLR	M-B	-	-	-	-	-	-	-	-	9	-	SALEABLE		34950-2011	34950-2021	34951-1631	34951-1641
						-	-	13	14	-	-	-	18	19	20						
MX150 ASSY BLD 2X10 BK A/8	334822407	A-BLACK	GCP	PLR	M-B	1	2	-	-	-	-	-	-	-	-	SALEABLE		34950-2011	34950-2021	34951-1631	34951-1641
						11	12	13	14	15	16	17	18	19	20						
MX150 ASSY BLD 2X10 BK A/10	334822408	A-BLACK	GCP	PLR	M-B	1	2	-	-	-	-	-	-	-	-	SALEABLE		34950-2011	34950-2021	34951-1631	34951-1641
						-	-	13	14	15	16	17	18	19	20						
MX150 ASSY BLD 2X10 BK A/15	334822409	A-BLACK	GCP	PLR	M-B	-	-	-	-	-	-	-	-	-	10	SALEABLE		34950-2011	34950-2021	34951-1631	34951-1641
						11	12	-	-	15	-	-	-	-	20						

ASSEMBLY DESCRIPTION	ASSEMBLY PART NUMBER	COMPONENT				BLOCKED TERMINALS										STATUS	COMMENT	OPTIONAL ATTACHMENTS SOLD SEPARATELY												
		THE PRESENCE OF AN ABBREVIATION INDICATES THE PRESENCE OF THAT COMPONENT				CAVITY WITH A NUMBER INDICATES BLOCKED TERMINAL POSITION CAVITY WITHOUT A NUMBER INDICATES OPEN TERMINAL POSITION												BACKSHELL WITH RIBS	BACKSHELL WITHOUT RIBS	90° ADAPTOR WITH RIBS	90° ADAPTOR WITHOUT RIBS									
		HOUSING KEY/COLOR	GROMMET CAP	PLR	MAT SEAL	1	2	3	4	5	6	7	8	9	10							11	12	13	14	15	16	17	18	19
MX150 ASSY BLD 2X10 BK A/17	334822410	A-BLACK	GCP	PLR	M-B	1	-	-	-	-	-	-	-	-	-	-	-	-	-	-	-	-	-	10	SALEABLE		34950-2011	34950-2021	34951-1631	34951-1641
MX150 ASSY BLD 2X10 BK A/17	334822411	A-BLACK	GCP	PLR	M-B	-	2	-	-	5	6	-	-	-	-	-	-	-	-	-	-	-	-	20	SALEABLE		34950-2011	34950-2021	34951-1631	34951-1641
MX150 ASSY BLD 2X10 BK A/15	334822412	A-BLACK	GCP	PLR	M-B	-	2	-	-	5	6	7	-	-	-	-	-	-	-	-	-	-	-	-	SALEABLE		34950-2011	34950-2021	34951-1631	34951-1641
MX150 ASSY BLD 2X10 BK A/15	334822413	A-BLACK	GCP	PLR	M-B	-	2	-	-	5	6	-	-	-	-	-	-	-	-	-	-	-	-	20	SALEABLE		34950-2011	34950-2021	34951-1631	34951-1641
MX150 ASSY BLD 2X10 BK A/14	334822414	A-BLACK	GCP	PLR	M-B	-	2	3	-	5	6	-	-	-	-	-	-	-	-	-	-	-	-	-	SALEABLE		34950-2011	34950-2021	34951-1631	34951-1641
MX150 ASSY BLD 2X10 BK A/13	334822415	A-BLACK	GCP	PLR	M-B	-	2	-	-	5	6	7	-	-	-	-	-	-	-	-	-	-	-	-	SALEABLE		34950-2011	34950-2021	34951-1631	34951-1641
MX150 ASSY BLD 2X10 BK A/12	334822416	A-BLACK	GCP	PLR	M-B	-	2	3	-	5	6	-	-	-	-	-	-	-	-	-	-	-	-	-	SALEABLE		34950-2011	34950-2021	34951-1631	34951-1641
MX150 ASSY BLD 2X10 BK A/12	334822417	A-BLACK	GCP	PLR	M-B	-	2	3	-	5	6	7	-	-	-	-	-	-	-	-	-	-	-	-	SALEABLE		34950-2011	34950-2021	34951-1631	34951-1641
MX150 ASSY BLD 2X10 BK A/10	334822418	A-BLACK	GCP	PLR	M-B	-	2	3	-	5	6	7	-	-	-	-	-	-	-	-	-	-	-	-	SALEABLE		34950-2011	34950-2021	34951-1631	34951-1641
MX150 ASSY BLD 2X10 BK A/9	334822419	A-BLACK	GCP	PLR	M-B	-	2	-	4	5	6	7	8	9	10	-	-	-	-	-	-	-	-	-	SALEABLE		34950-2011	34950-2021	34951-1631	34951-1641
MX150 ASSY BLD 2X10 BK A/7	334822420	A-BLACK	GCP	PLR	M-B	-	2	-	4	5	6	7	8	9	10	-	-	-	-	-	-	-	-	-	SALEABLE		34950-2011	34950-2021	34951-1631	34951-1641
MX150 ASSY BLD 2X10 BK A/6	334822421	A-BLACK	GCP	PLR	M-B	-	2	3	4	5	6	7	8	9	10	-	-	-	-	-	-	-	-	-	SALEABLE		34950-2011	34950-2021	34951-1631	34951-1641
MX150 ASSY BLD 2X10 BK A/4	334822422	A-BLACK	GCP	PLR	M-B	-	2	3	4	5	6	7	8	9	10	-	-	-	-	-	-	-	-	-	SALEABLE		34950-2011	34950-2021	34951-1631	34951-1641
MX150 ASSY BLD 2X10 LTB A/20	334822423	A-LIGHT BLUE	GCO	PLR	M-B	-	-	-	-	-	-	-	-	-	-	-	-	-	-	-	-	-	-	-	SALEABLE		34950-2011	34950-2021	34951-1631	34951-1641



TABLE OF CONTENTS	
SHEET NO.	SHEET DESCRIPTION
1	NOTES AND BOM
2	CONFIGURATIONS
3-4	KEY CONFIGURATIONS
5	BLADE SEALED ASSEMBLY
6	SYSTEM PACKAGING
7	BACKSHELL NOTES
8	BACKSHELL
9	BACKSHELL CONFIGURATIONS

NOTES: VALID UNLESS OTHERWISE SPECIFIED

1. GENERAL:  
a. APPLICATION SPECIFICATION SEE: AS-33472-100  
-CONTAINS: PRODUCT INTRODUCTION, PRODUCT SUMMARY, CONNECTOR ASSEMBLY, PACKAGING INFORMATION, CONNECTOR MATING, SERVICE INSTRUCTIONS, ELECTRICAL CONTINUITY CHECKING, CRIMPING, AND TROUBLESHOOTING.  
-DESIGNED TO MATE WITH RECEPTACLE SEALED ASSEMBLY AS SPECIFIED IN THE MATING CONNECTOR DRAWINGS CHART.  
\*DENOTES DRAWINGS THAT CAN BE ACCESSED AT <http://ewcap.uscarteams.org/>.  
-ASSEMBLY SHIPPED WITH PLR IN PRE-LOCK POSITION (SEE PLR PRE-LOCK VIEW SHEET 5).

b. PRODUCT SPECIFICATION SEE:  
-STANDARD CONFIGURATION: PS-33472-000  
-UL V0 CONFIGURATION: TBD  
CONTAINS: PRODUCT INTRODUCTION, PRODUCT SUMMARY, RATINGS (CURRENT, TEMPERATURE, SEALING, AND FLAMMABILITY), TERMINALS, WIRE DIAMETER RANGE, PRODUCT VALIDATION, AND PRODUCT DEVIATIONS.

c. PACKAGING SPECIFICATION PER MOLEX DRAWING: PK-31300-635

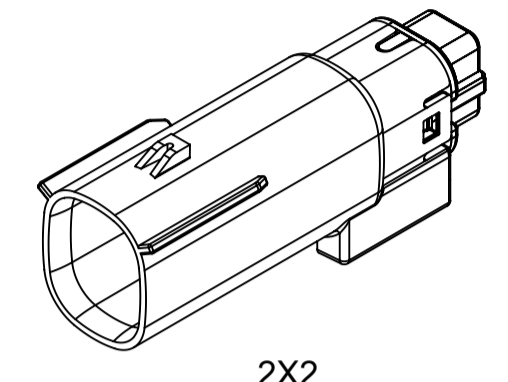
d. PARTS MUST BE IN COMPLIANCE TO MOLEX CHEMICAL SUBSTANCES FOR PRODUCTS AND PACKAGING SPECIFICATION: QEHS-699000-300

e. DATA MUST BE SUBMITTED UNDER THE MOLEX PART NUMBER TO IMDS (COMPANY ID#13255)

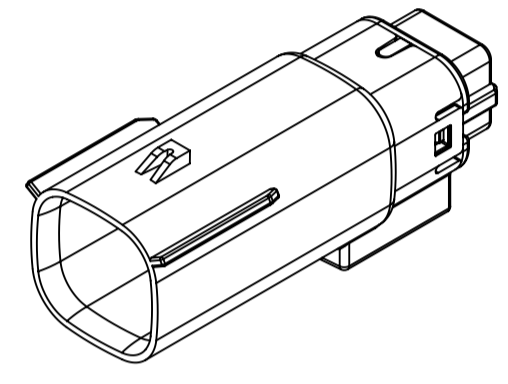
2. DESIGN - MATERIALS:  
a. FOR BILL OF MATERIALS SEE:  
-STANDARD CONFIGURATION: SD-33482-0002  
-UL V0 CONFIGURATION: SD-160084-0002

3. DESIGN - GEOMETRY:  
a. THE 3-D CAD DATA IS BASIC (WITHOUT TOLERANCE) AND MASTER FOR THIS PART WITH THE EXCEPTION OF UNDERLINED DIMENSIONS. DIMENSIONAL INFORMATION NOT SHOWN ON THIS DRAWING IS DEFINED BY THE DATA FILE AT ITS LATEST REVISION.  
b. GEOMETRIC DIMENSIONS AND TOLERANCES PER ASME Y14.5M-2009  
c. EDGES AND UNDIMENSIONED DETAILS PER ISO13715  
d. CORNERS SHOWN AS SHARP TO BE R 0.2 MAX.  
e. LETTERING SHALL BE 0.15 MAX RAISED IN 0.25 MAX RECESS PAD. THIS INCLUDES RECYCLING CODE, CAVITY ID, VENDOR IDENTIFICATION, AND CUSTOMER MATERIAL NUMBER.  
f. VISUAL DEFECTS SHALL MEET COSMETIC STANDARD PS-45499-002 (Class B).  
g. LASER MARKING:  
1. PART NUMBER  
2. DAY OF THE YEAR  
3. SHIFT  
4. YEAR  
FOR ADDITIONAL INFORMATION SEE SECTION 5 UNDER PROCEDURES IN ES-34735-008.

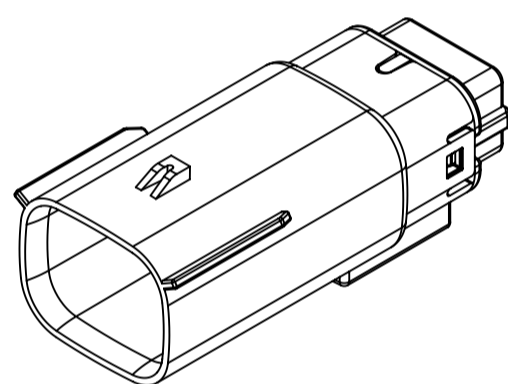
MATING CONNECTOR DRAWINGS	
DESCRIPTION	MOLEX INLINE
2X2	SD-33472-0001
2X3	SD-33472-0001
2X4	SD-33472-0001
2X6	SD-33472-0001
2X8	SD-33472-0001
2X10	SD-33472-0001



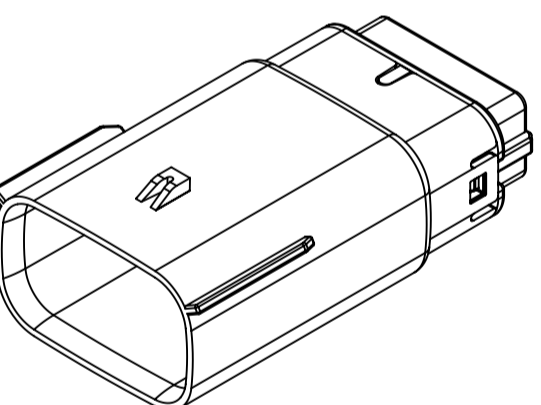
2X2



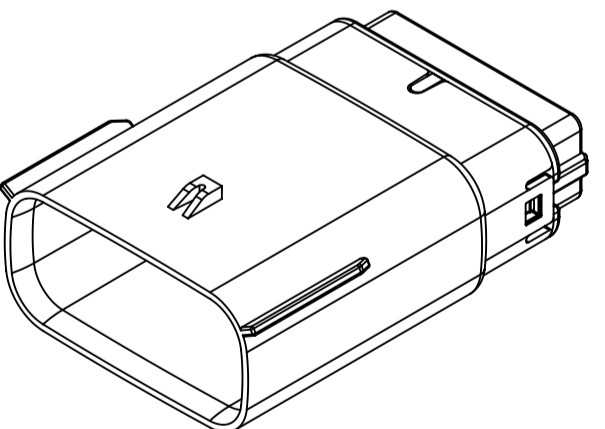
2X3



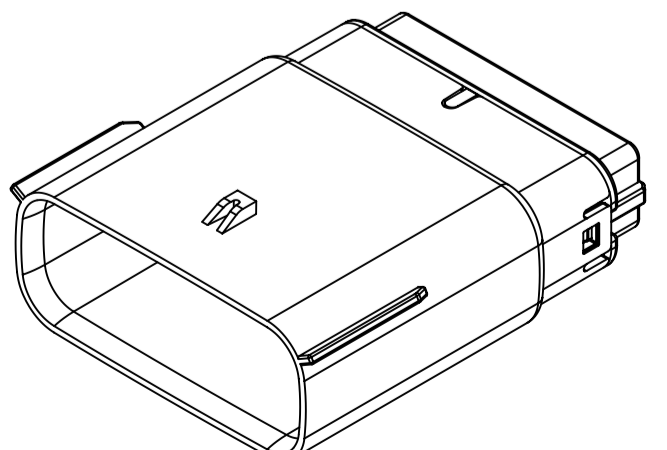
2X4



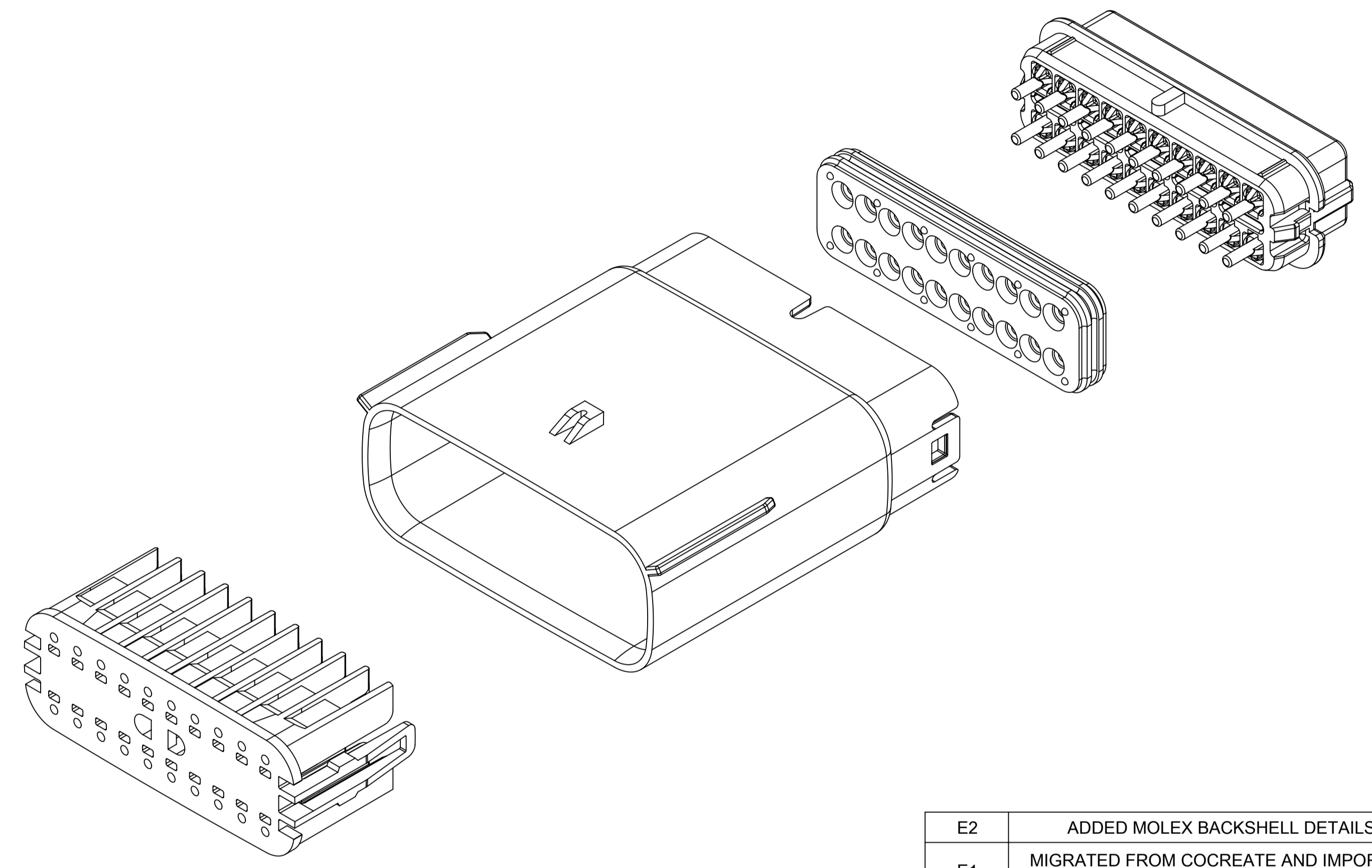
2X6



2X8



2X10

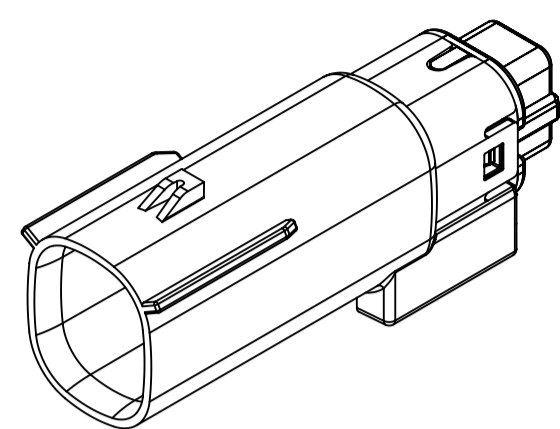


INSPECTION NUMBER LOG	
LAST NUMBER:	9
ADDED:	
REMOVED:	

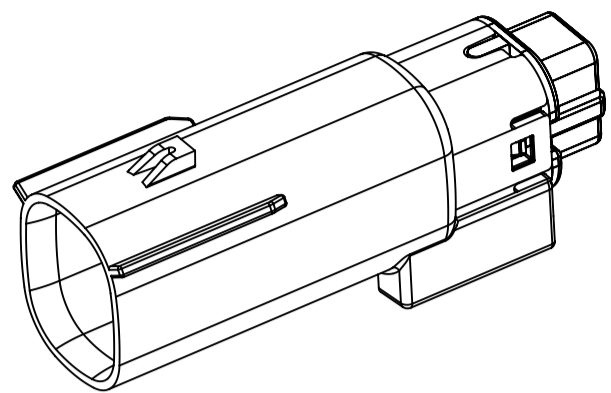
E2	ADDED MOLEX BACKSHELL DETAILS
E1	MIGRATED FROM COCREATE AND IMPORTED DXF FILES
E	ADDED CHARTED DIMENSIONS FOR 2X2, 2X4, 2X6 AND 2X8 WITH CLIPSLLOT
D	MINOR GEOMETRY CHANGE FOR UL V0
C3	ADD 2X4
C2	ADD 2X3
C1	ADD UL V0 CONFIGURATIONS
C	ADD 2X8
B1	ADD 2X6 BACKSHELL INFO
B	ADD 2X6
A	INITIAL RELEASE
REV	REV DESCRIPTION

<b>SYMBOLS</b> = 0 = 0 = 0 = 0 = 0 = 0 = 0 = 0 = 0	THIS DRAWING CONTAINS INFORMATION THAT IS PROPRIETARY TO MOLEX ELECTRONIC TECHNOLOGIES, LLC AND SHOULD NOT BE USED WITHOUT WRITTEN PERMISSION		<b>CURRENT REV DESC:</b> EC NO: 171650 DRWN: PMANJUNATHAC 2018/01/03 CHK'D: MVANSLAMBROU 2018/02/16 APPR: MVANSLAMBROU 2018/02/16		 <b>MX150 BLADE</b> DUAL ROW SEALED ASSEMBLY MAT SEAL PRODUCT CUSTOMER DRAWING		
	DIMENSION UNITS: <b>mm</b> SCALE: <b>1.5:1</b>	GENERAL TOLERANCES (UNLESS SPECIFIED) ANGULAR TOL ± 1.0°		INITIAL REVISION: DRWN: APROFFITT 2014/04/28 APPR: VKOSHY 2014/05/14		DOCUMENT NUMBER: <b>SD-33482-0001</b> DOC TYPE: PSD DOC PART: 001 REVISION: <b>E2</b>	
	4 PLACES ± 3 PLACES ± 2 PLACES ± 0.1 1 PLACE ± 0.2 0 PLACES ±	DRAFT WHERE APPLICABLE MUST REMAIN WITHIN DIMENSIONS		THIRD ANGLE PROJECTION 		DRAWING: <b>A1-SIZE</b> SERIES: <b>33482</b>	MATERIAL NUMBER: _____ CUSTOMER: <b>GENERAL MARKET</b> SHEET NUMBER: <b>1 OF 11</b>
	<b>DOCUMENT STATUS</b> P1 <b>RELEASE DATE</b> 2018/02/16 22:02:26						

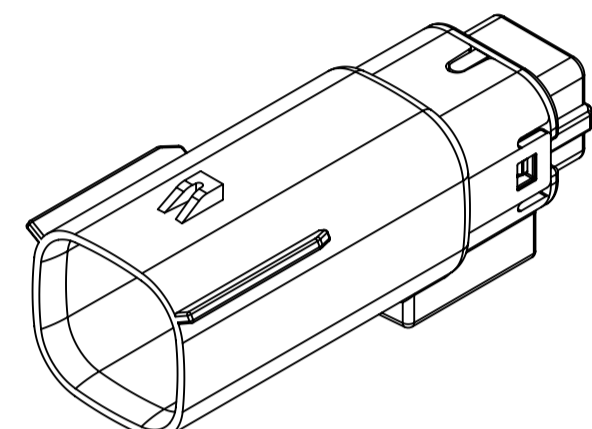
**SHEET DESCRIPTION**  
CONFIGURATIONS



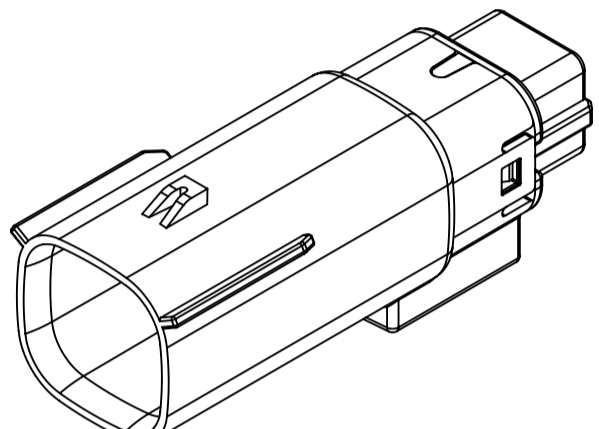
2X2 - STANDARD (STD)



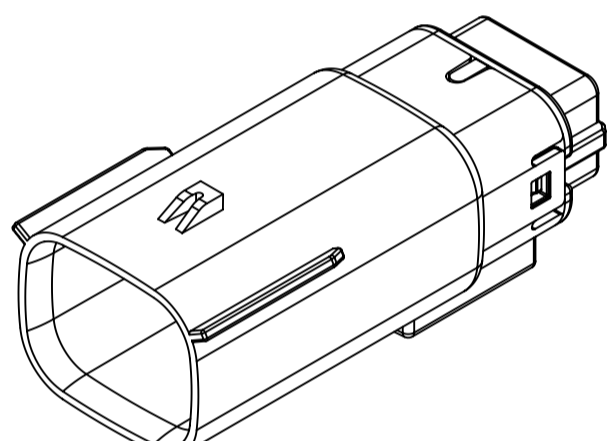
2X2 - UL V0\*



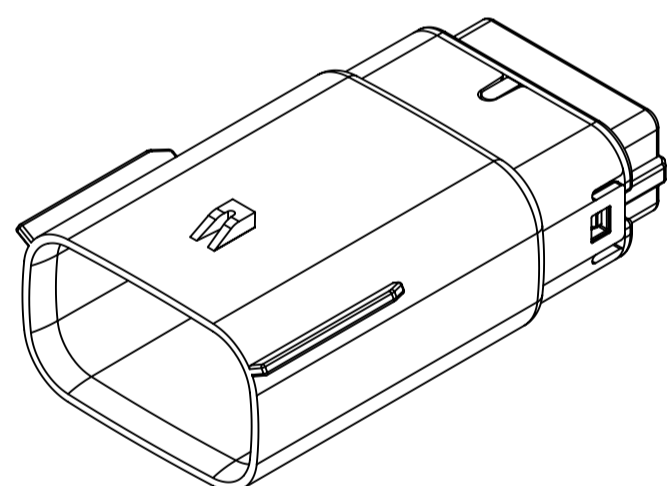
2X3 - STANDARD (STD)



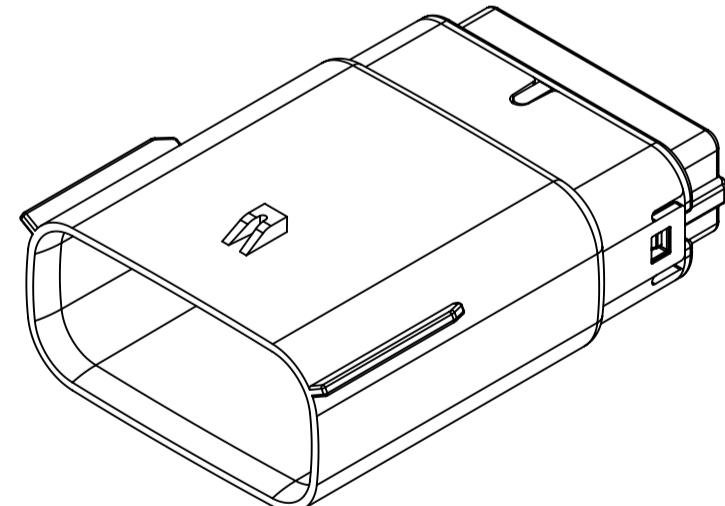
2X3 - LENGTHENED



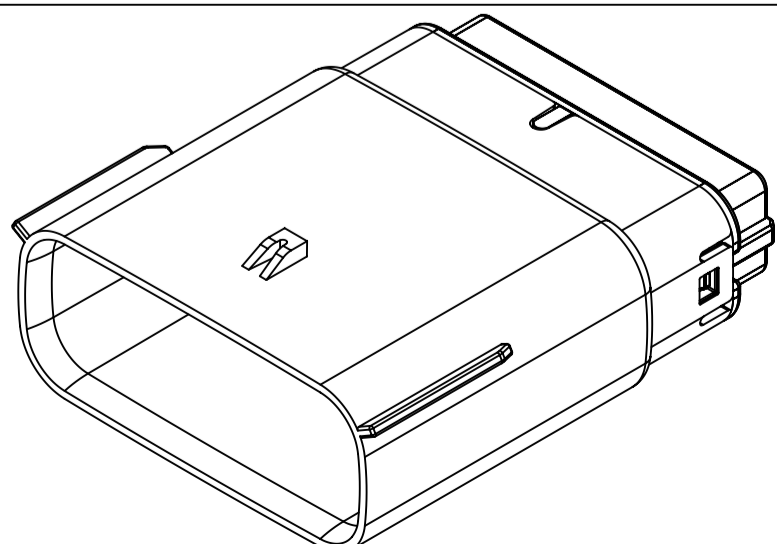
2X4 - STANDARD (STD)



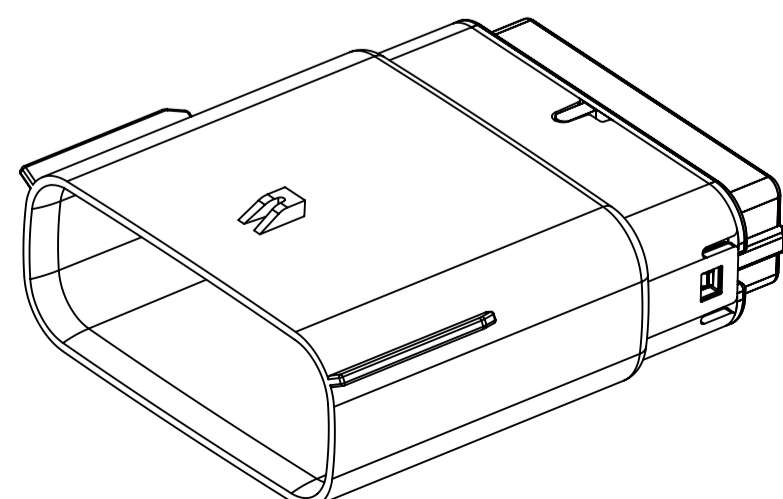
2X6 - STANDARD (STD)



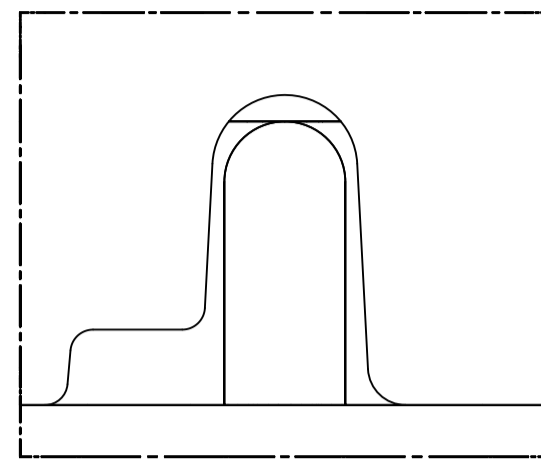
2X8 - STANDARD (STD)



2X10 - STANDARD (STD)



2X10 - UL V0\*



UL V0 UNIQUE FEATURE

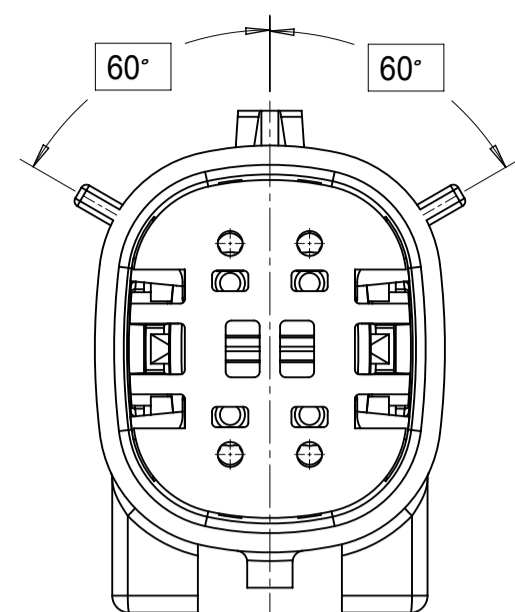
Partial1  
SCALE 10:1

\* MINOR GEOMETRY CHANGE THAN STANDARD CONFIGURATION.  
SEE NOTE 2a FOR MORE INFORMATION

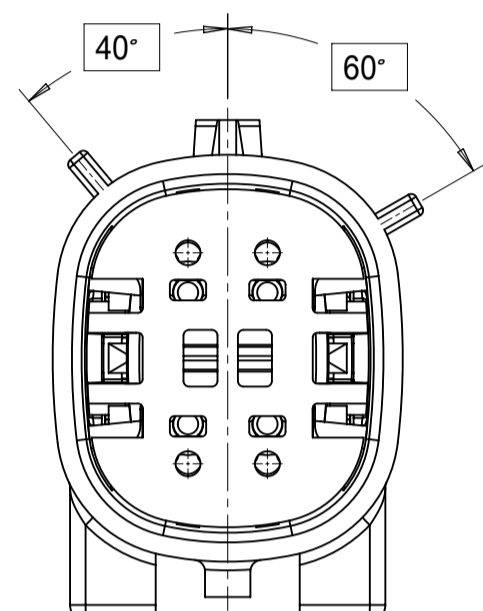
SYMBOLS	THIS DRAWING CONTAINS INFORMATION THAT IS PROPRIETARY TO MOLEX ELECTRONIC TECHNOLOGIES, LLC AND SHOULD NOT BE USED WITHOUT WRITTEN PERMISSION		CURRENT REV DESC:		<b>molex</b>
	DIMENSION UNITS	SCALE			
▽ = 0	mm	1.5:1	EC NO: 171650		MX150 BLADE DUAL ROW SEALED ASSEMBLY MAT SEAL
▽ = 0	GENERAL TOLERANCES (UNLESS SPECIFIED)		DRWN: PMANJUNATHAC 2018/01/03		
▽ = 0	ANGULAR TOL ± 1.0°		CHK'D: MVANSLAMBROU 2018/02/16		
▽ = 0	4 PLACES ±		APPR: MVANSLAMBROU 2018/02/16		
▽ = 0	3 PLACES ±		INITIAL REVISION:		
▽ = 0	2 PLACES ± 0.1		DRWN: APROFFITT 2014/04/28		
▽ = 0	1 PLACE ± 0.2		APPR: VKOSHY 2014/05/14		
▽ = 0	0 PLACES ±		THIRD ANGLE PROJECTION		
▽ = 0	DRAFT WHERE APPLICABLE MUST REMAIN WITHIN DIMENSIONS		DRAWING	SERIES	DOCUMENT NUMBER
			A1-SIZE	33482	SD-33482-0001
					DOC TYPE   DOC PART   REVISION
					PSD   001   E2
					PRODUCT CUSTOMER DRAWING
					CUSTOMER
					GENERAL MARKET
					SHEET NUMBER
					2 OF 11

**SHEET DESCRIPTION**  
KEY CONFIGURATIONS

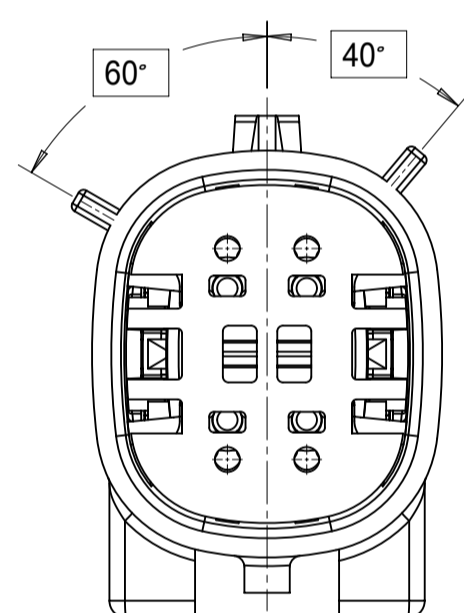
**2X2**



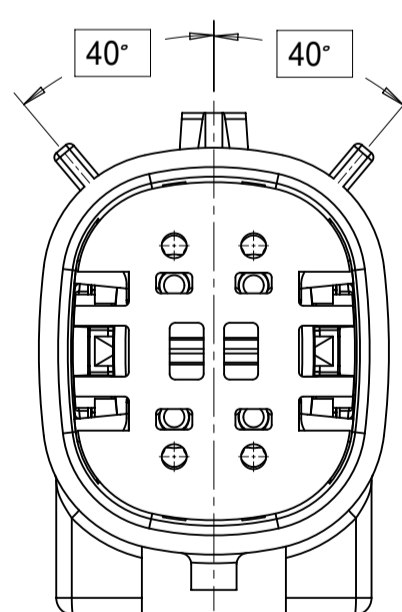
KEY A



KEY B

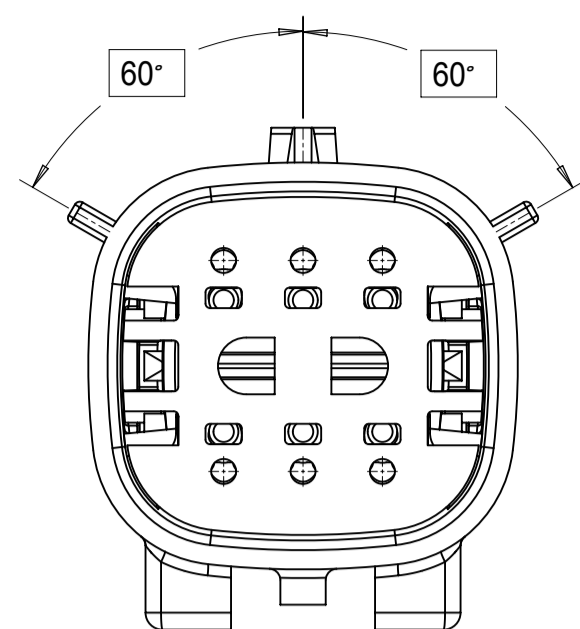


KEY C

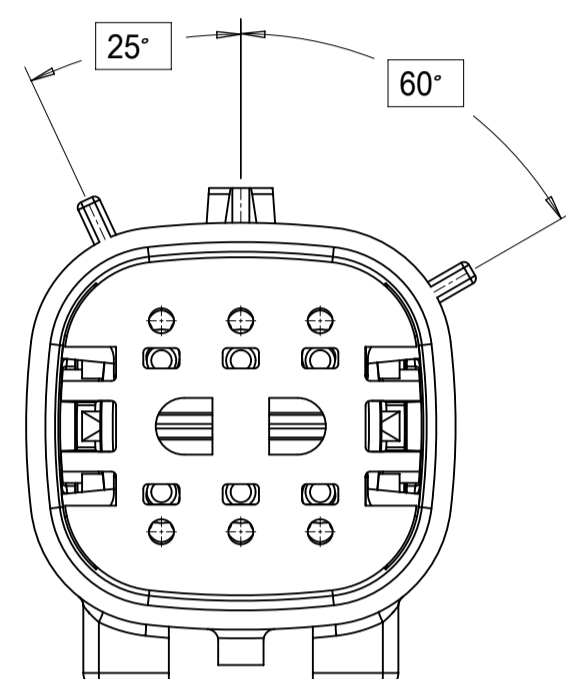


KEY D

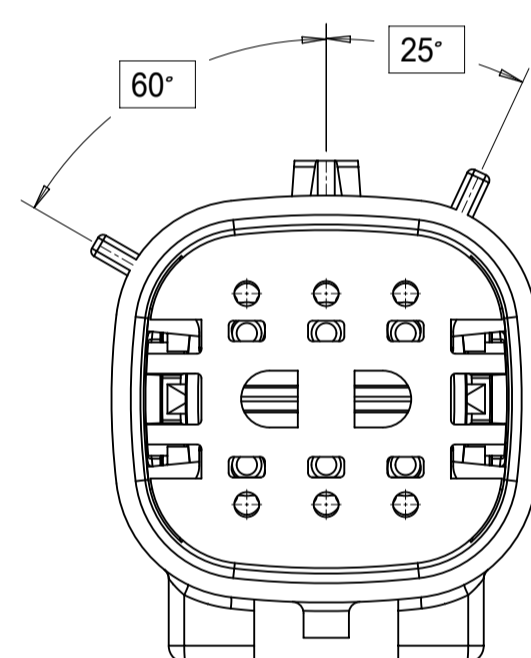
**2X3**



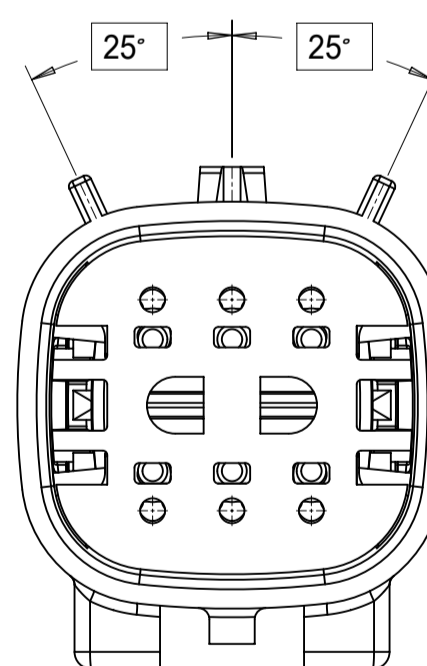
KEY A



KEY B

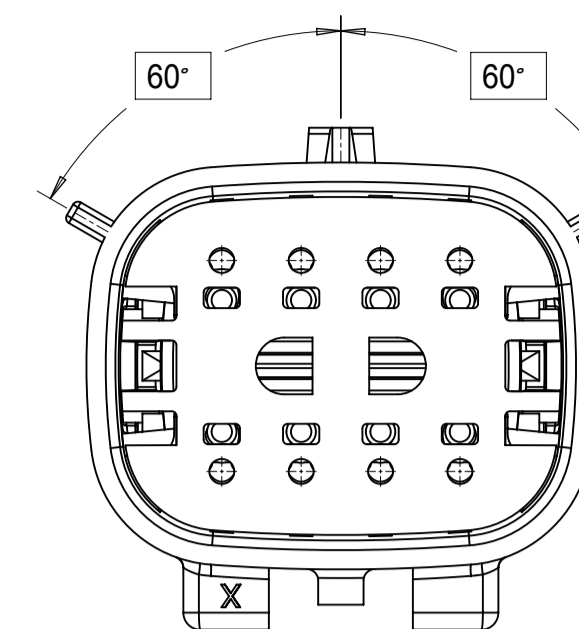


KEY C

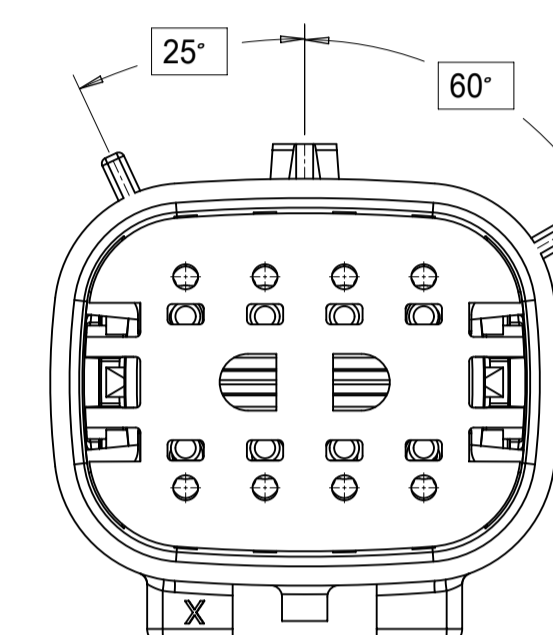


KEY D

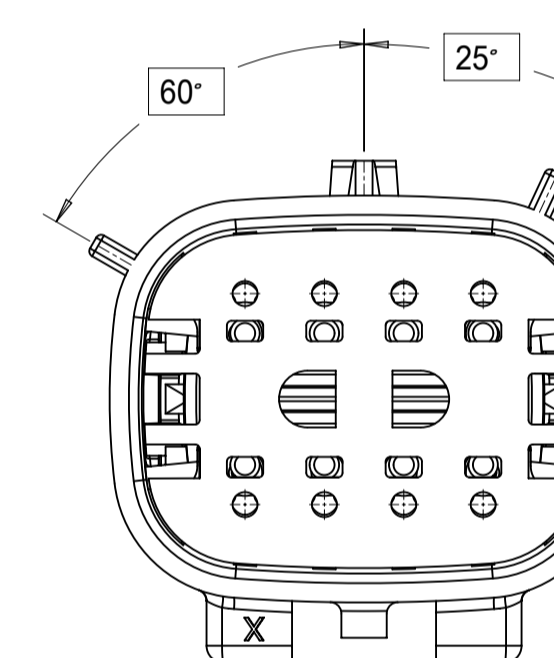
**2X4**



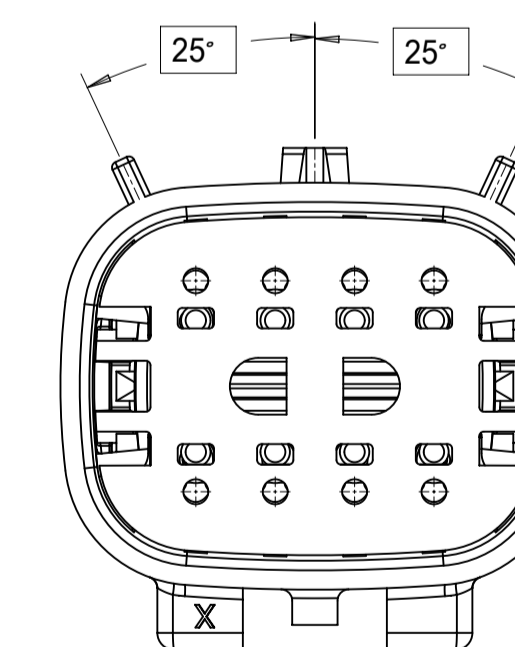
KEY A



KEY B



KEY C

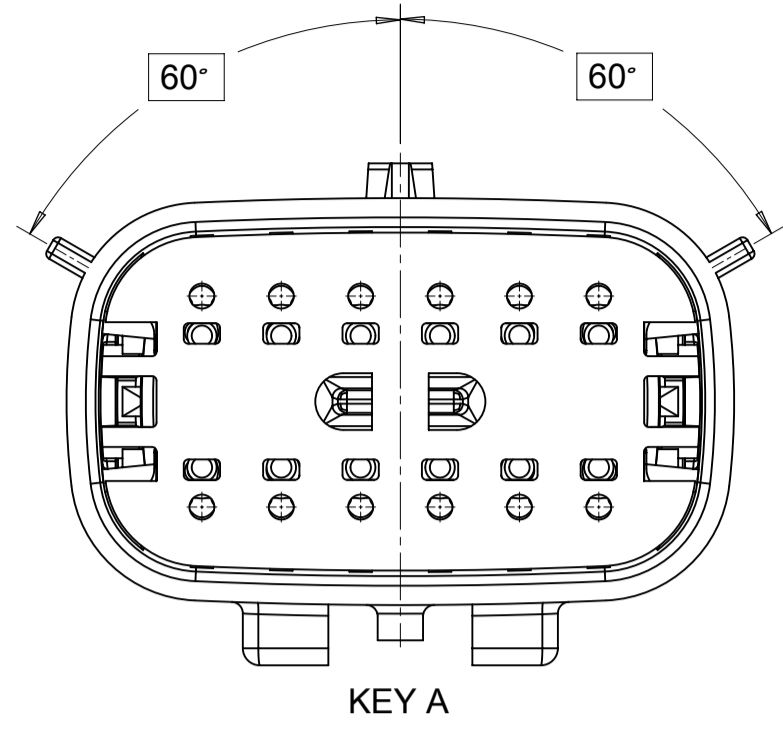


KEY D

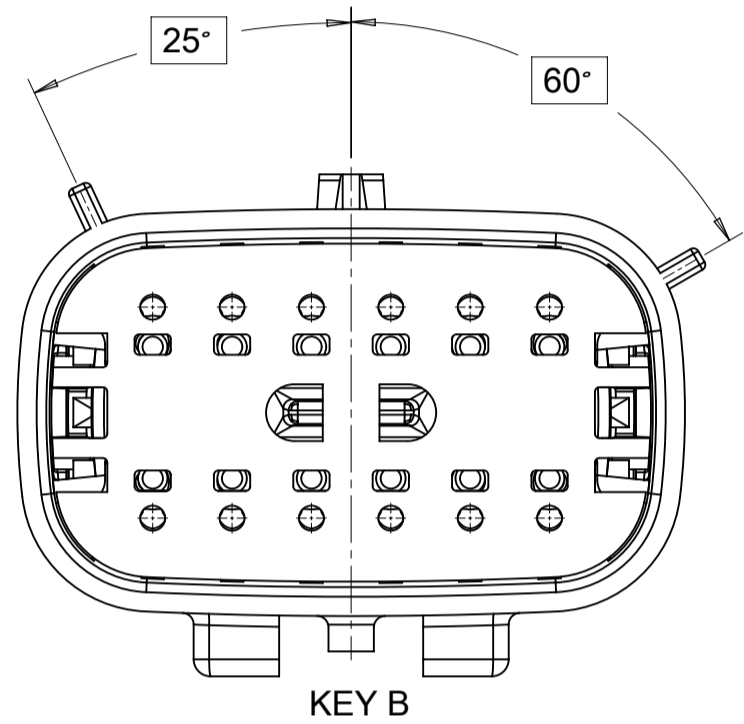
<b>SYMBOLS</b> = 0 = 0 = 0 = 0 = 0 = 0 = 0 = 0 = 0	THIS DRAWING CONTAINS INFORMATION THAT IS PROPRIETARY TO MOLEX ELECTRONIC TECHNOLOGIES, LLC AND SHOULD NOT BE USED WITHOUT WRITTEN PERMISSION DIMENSION UNITS: <b>mm</b> SCALE: <b>3:1</b>	CURRENT REV DESC: EC NO: 171650 DRWN: PMANJUNATHAC 2018/01/03 CHK'D: MVANSLAMBROU 2018/02/16 APPR: MVANSLAMBROU 2018/02/16	 <b>MX150 BLADE</b> <b>DUAL ROW SEALED ASSEMBLY MAT SEAL</b>
	GENERAL TOLERANCES (UNLESS SPECIFIED) ANGULAR TOL ± 1.0° 4 PLACES ± 3 PLACES ± 2 PLACES ± 0.1 1 PLACE ± 0.2 0 PLACES ±	INITIAL REVISION: DRWN: APROFFITT 2014/04/28 APPR: VKOSHY 2014/05/14	
DRAFT WHERE APPLICABLE MUST REMAIN WITHIN DIMENSIONS 	THIRD ANGLE PROJECTION DRAWING: <b>A1-SIZE</b> SERIES: <b>33482</b>	MATERIAL NUMBER: _____ CUSTOMER: <b>GENERAL MARKET</b> SHEET NUMBER: <b>3 OF 11</b>	

**SHEET DESCRIPTION**  
KEY CONFIGURATIONS CONT.

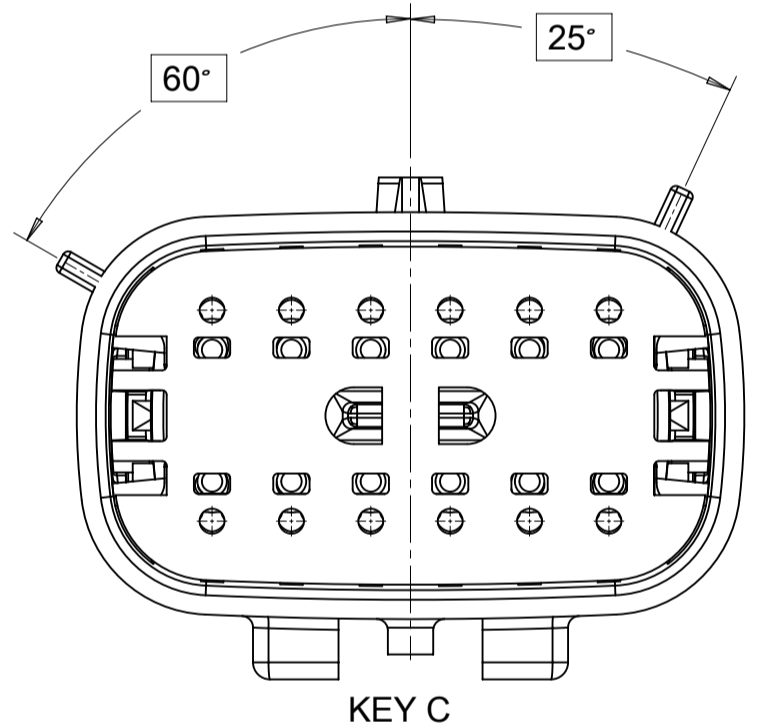
2X6



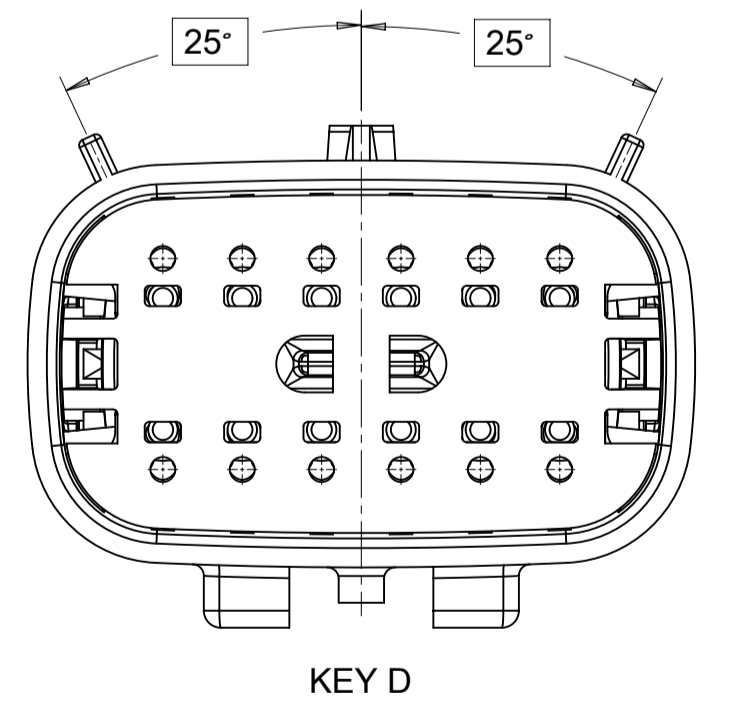
KEY A



KEY B

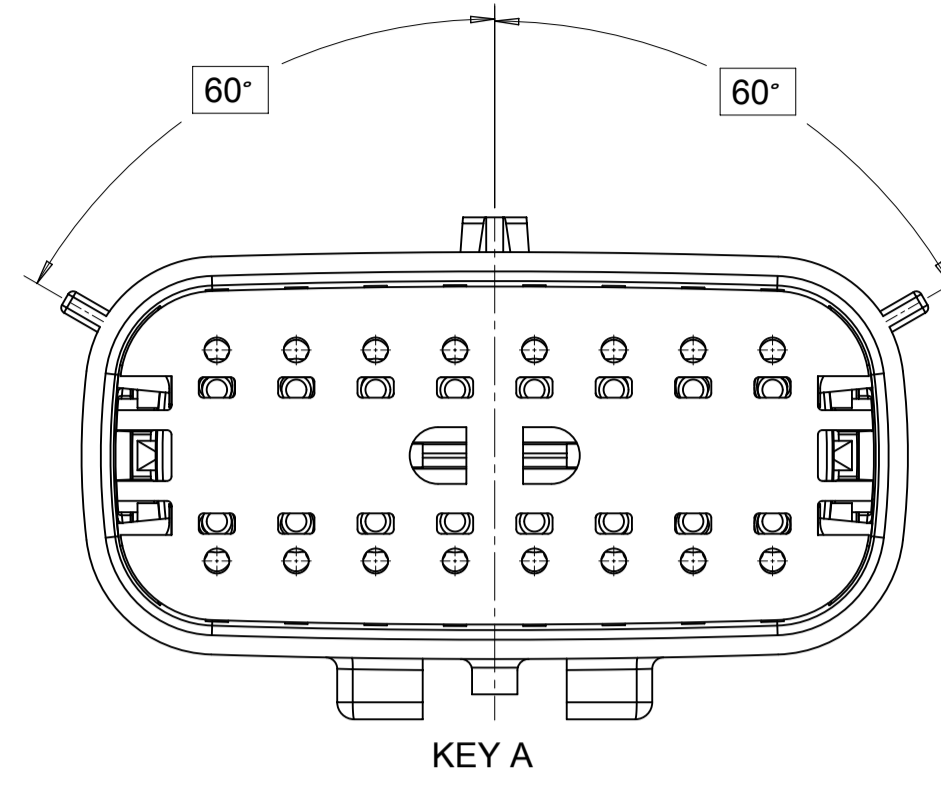


KEY C

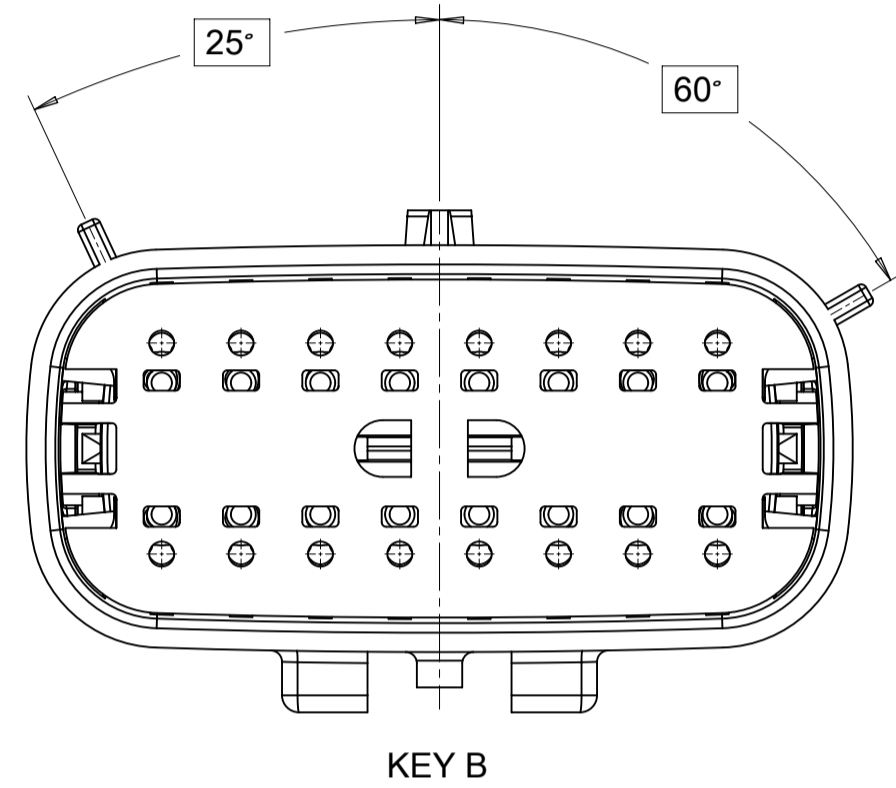


KEY D

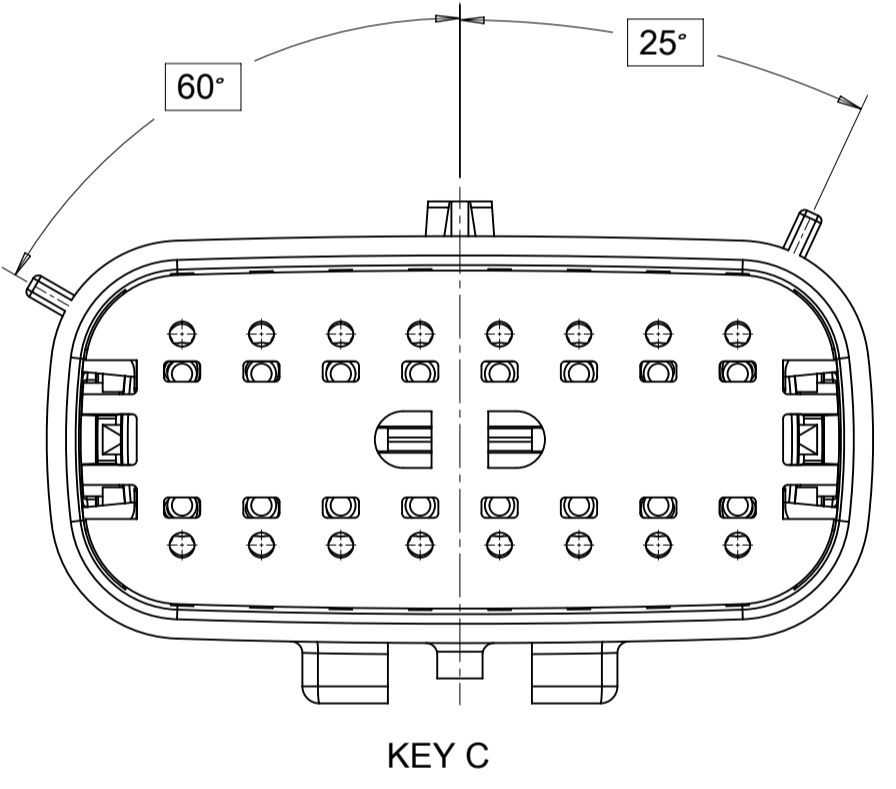
2X8



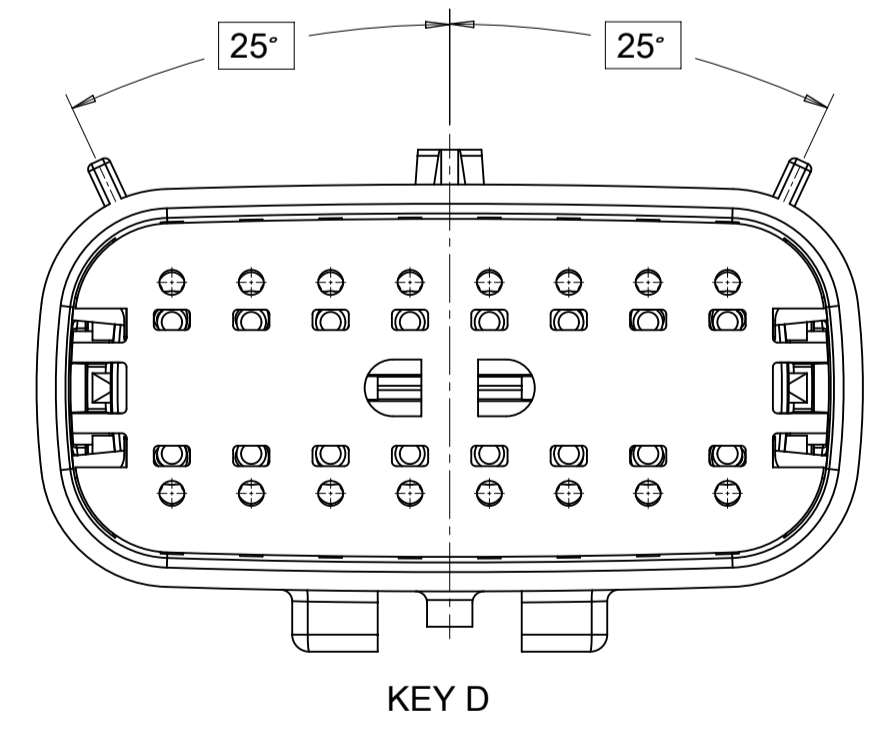
KEY A



KEY B

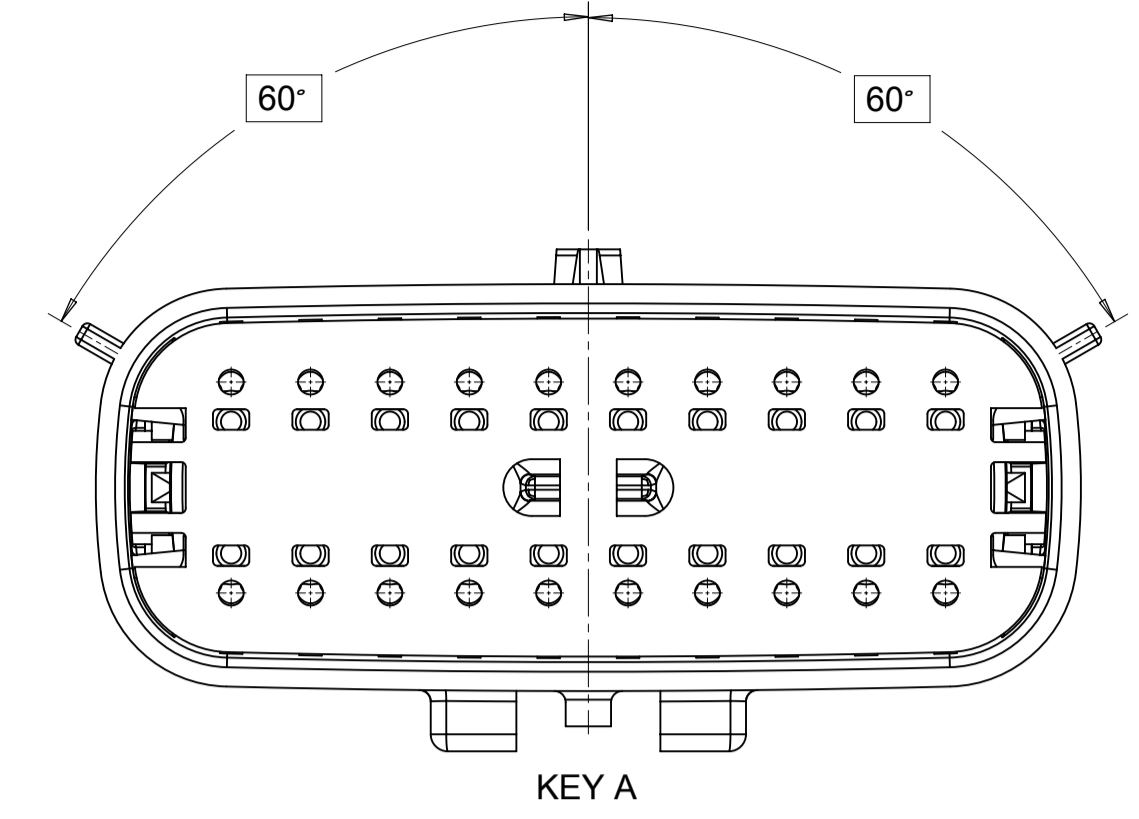


KEY C

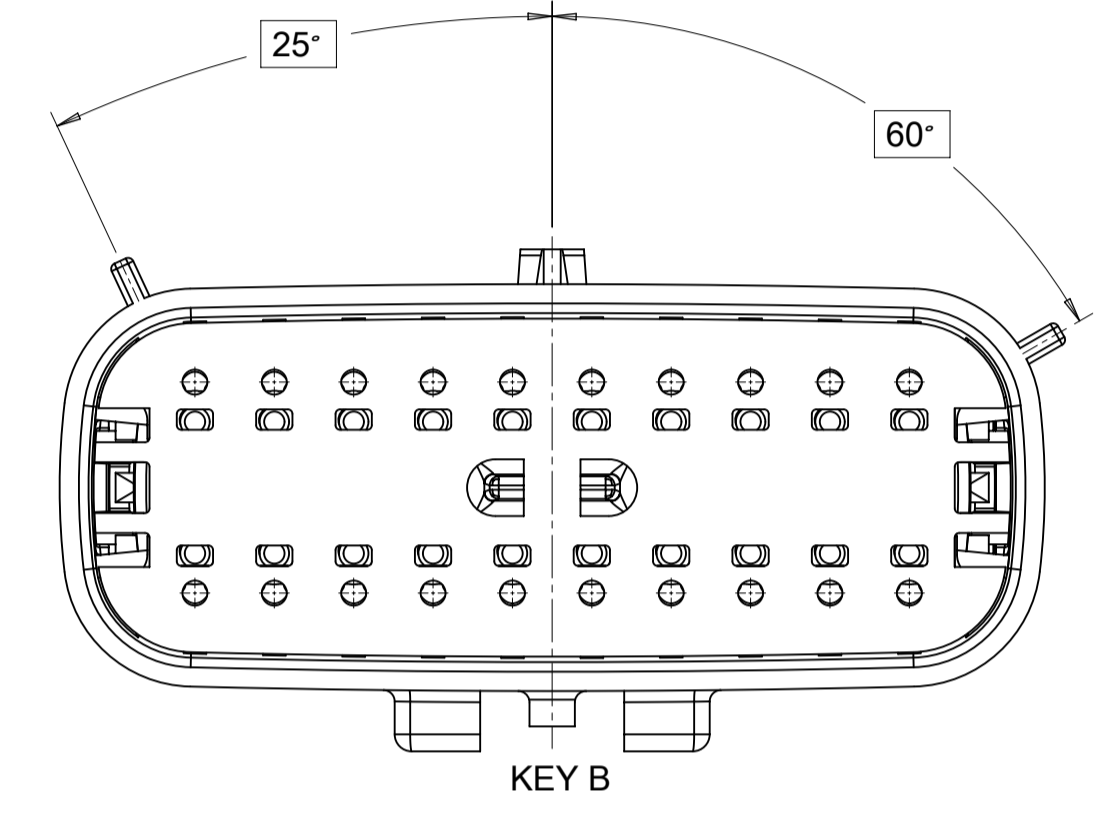


KEY D

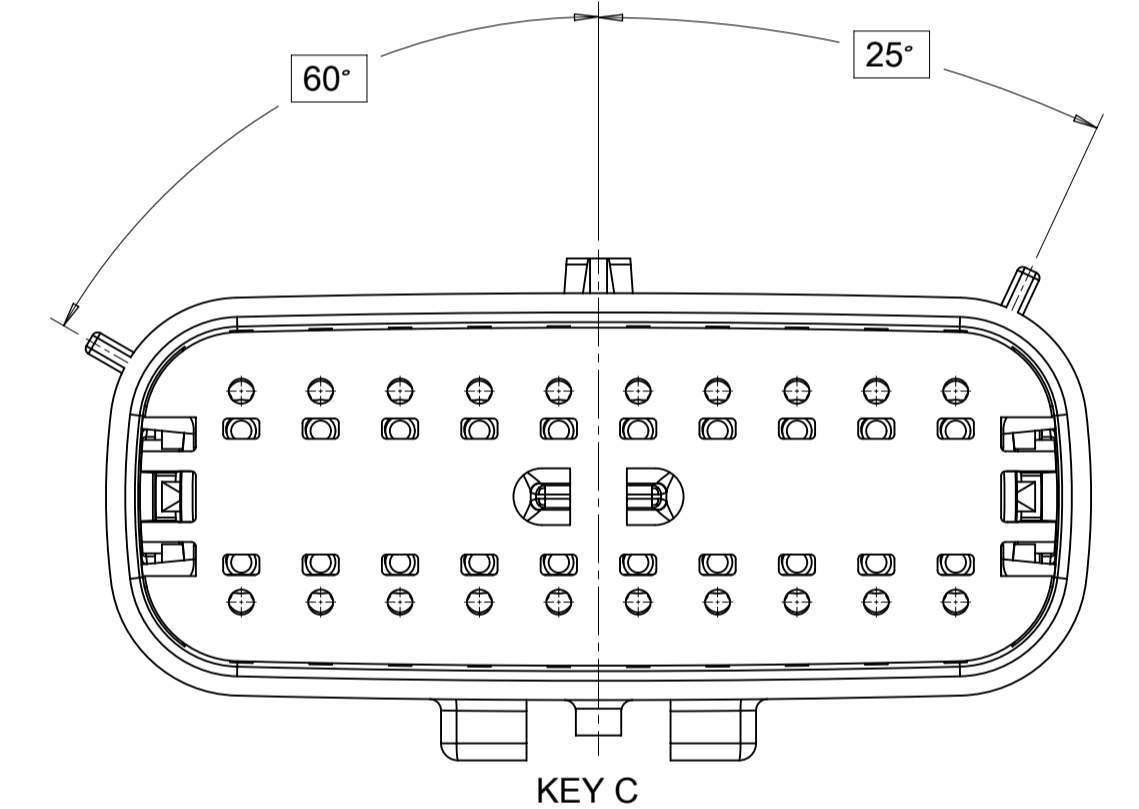
2X10



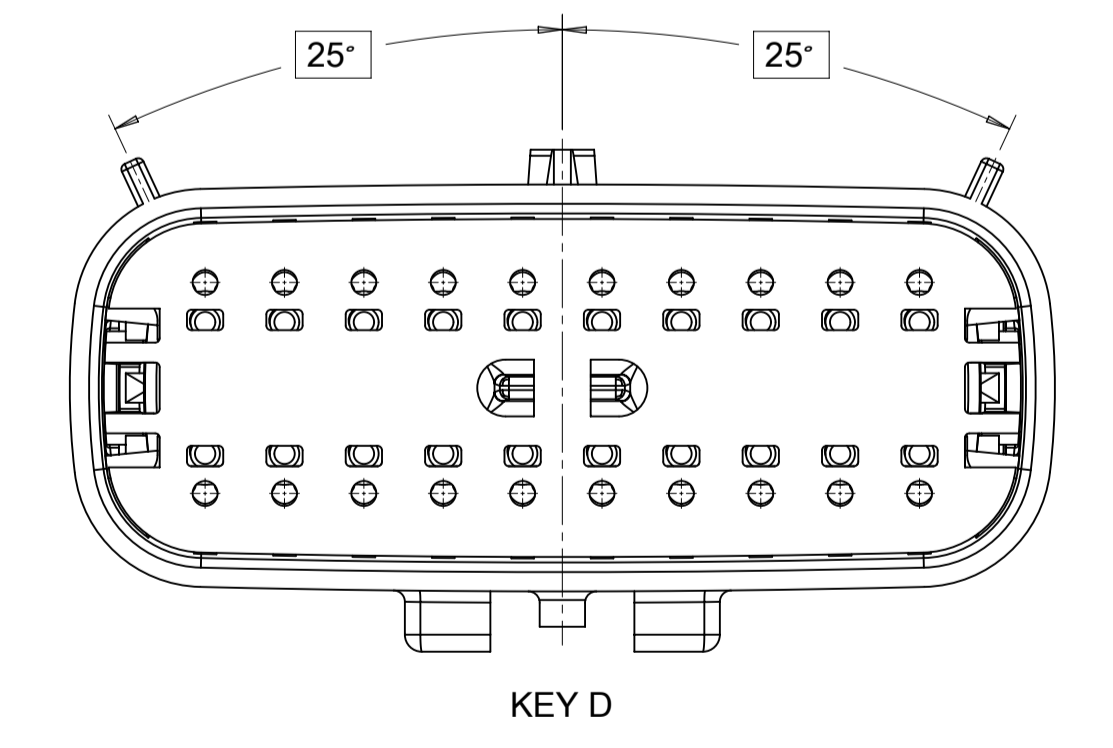
KEY A



KEY B



KEY C



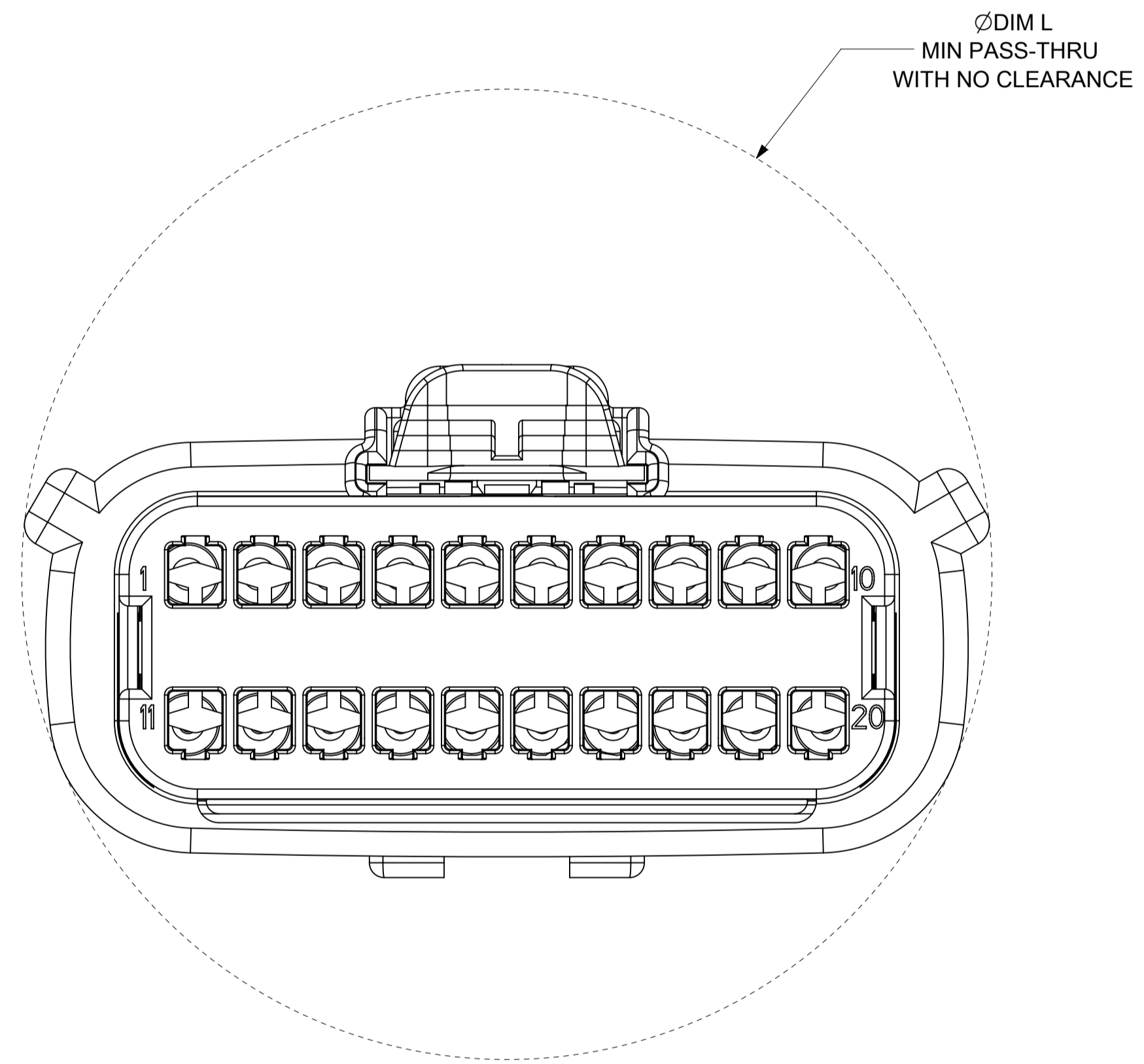
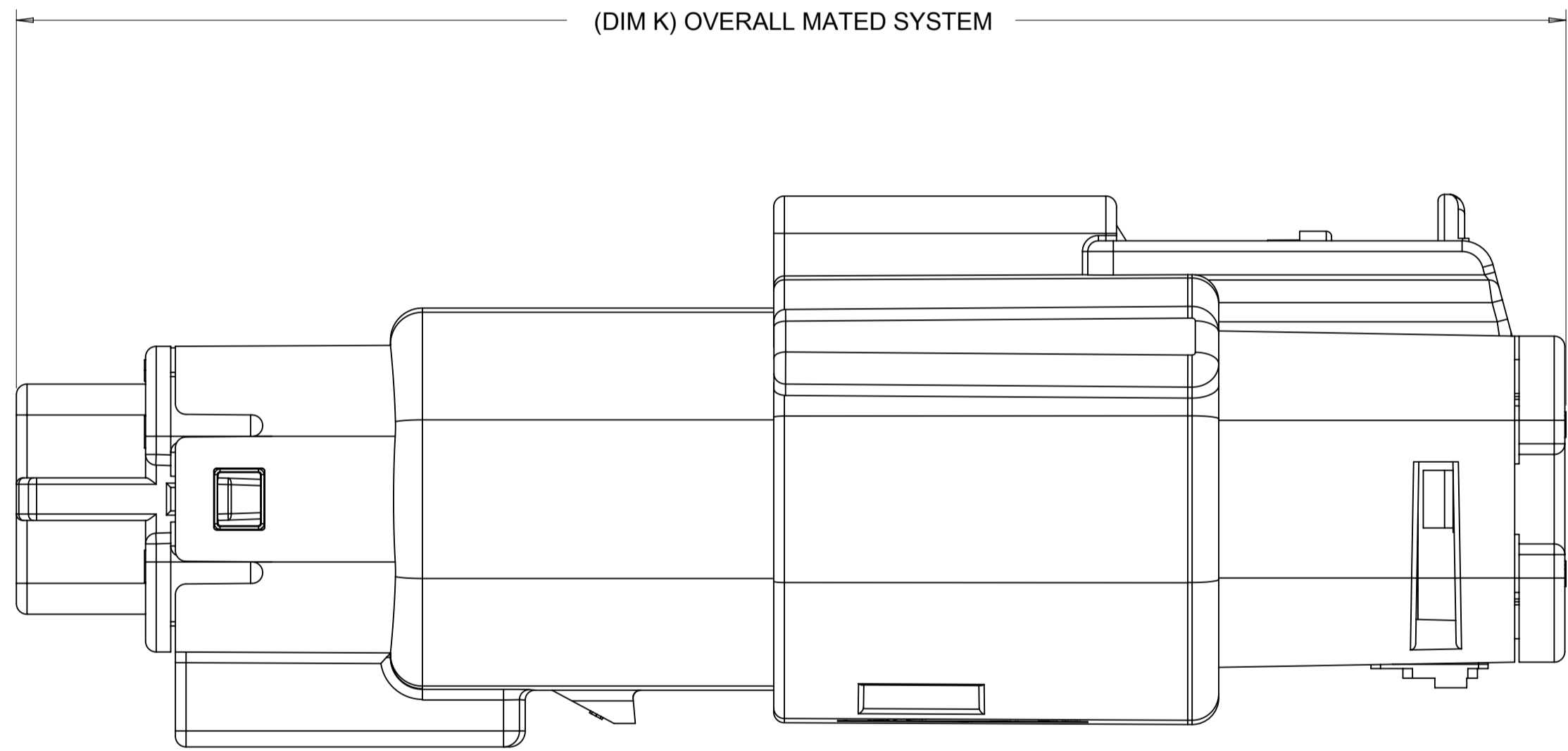
KEY D

<b>SYMBOLS</b> = 0 = 0 = 0 = 0 = 0 = 0 = 0 = 0 = 0 = 0	THIS DRAWING CONTAINS INFORMATION THAT IS PROPRIETARY TO MOLEX ELECTRONIC TECHNOLOGIES, LLC AND SHOULD NOT BE USED WITHOUT WRITTEN PERMISSION DIMENSION UNITS: <b>mm</b> SCALE: <b>3:1</b>	CURRENT REV DESC: EC NO: 171650 DRWN: PMANJUNATHAC 2018/01/03 CHK'D: MVANSLAMBROU 2018/02/16 APPR: MVANSLAMBROU 2018/02/16	 MX150 BLADE DUAL ROW SEALED ASSEMBLY MAT SEAL
	GENERAL TOLERANCES (UNLESS SPECIFIED) ANGULAR TOL ± 1.0° 4 PLACES ± 3 PLACES ± 2 PLACES ± 0.1 1 PLACE ± 0.2 0 PLACES ±	INITIAL REVISION: DRWN: APROFFITT 2014/04/28 APPR: VKOSHY 2014/05/14	
DRAFT WHERE APPLICABLE MUST REMAIN WITHIN DIMENSIONS	THIRD ANGLE PROJECTION 	DRAWING: <b>A1-SIZE</b> SERIES: <b>33482</b>	MATERIAL NUMBER: _____ CUSTOMER: <b>GENERAL MARKET</b> SHEET NUMBER: <b>4 OF 11</b>



**SHEET DESCRIPTION**  
SYSTEM PACKAGING

CKT	BLADE CONFIGURATION	RECEPTACLE CONFIGURATION	DIMENSIONS	
			K	L
			2X2	STANDARD
		W/ CLIPSLOT	72.78	28.50
		LENGTHENED	77.21	28.00
2X3	STANDARD	W/O CLIPSLOT	72.78	28.00
		W/ CLIPSLOT		30.50
	LENGTHENED	W/O CLIPSLOT	74.79	28.00
		W/ CLIPSLOT		30.50
2X4	STANDARD	W/O CLIPSLOT	72.78	29.50
		W/ CLIPSLOT		31.50
2X6	STANDARD	W/O CLIPSLOT	72.79	35.58
		W/ CLIPSLOT		
2X8	STANDARD	W/O CLIPSLOT	72.67	42.25
		W/ CLIPSLOT		
2X10	STANDARD	STANDARD	72.78	49.05



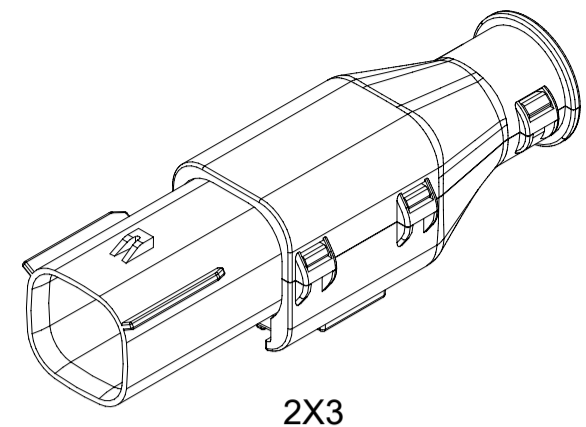
<b>SYMBOLS</b> ▽ = 0 ▽ = 0 ▽ = 0 ▽ = 0 ▽ = 0 ▽ = 0 ▽ = 0 ▽ = 0 ▽ = 0 ▽ = 0	THIS DRAWING CONTAINS INFORMATION THAT IS PROPRIETARY TO MOLEX ELECTRONIC TECHNOLOGIES, LLC AND SHOULD NOT BE USED WITHOUT WRITTEN PERMISSION	DIMENSION UNITS	SCALE	CURRENT REV DESC:						
	mm	4:1	EC NO: 171650 DRWN: PMANJUNATHAC 2018/01/03 CHK'D: MVANSLAMBROU 2018/02/16 APPR: MVANSLAMBROU 2018/02/16							
	GENERAL TOLERANCES (UNLESS SPECIFIED)				INITIAL REVISION: DRWN: APROFFITT 2014/04/28 APPR: VKOSHY 2014/05/14			PRODUCT CUSTOMER DRAWING		
	ANGULAR TOL ± 1.0°							DOCUMENT NUMBER: SD-33482-0001		
	4 PLACES ±				DRWN: APROFFITT 2014/04/28			DOC TYPE: PSD		
	3 PLACES ±				APPR: VKOSHY 2014/05/14			DOC PART: 001		
	2 PLACES ± 0.1				MATERIAL NUMBER: 33482			REVISION: E2		
	1 PLACE ± 0.2				DRAFT WHERE APPLICABLE MUST REMAIN WITHIN DIMENSIONS			CUSTOMER: GENERAL MARKET		
	0 PLACES ±				THIRD ANGLE PROJECTION			SHEET NUMBER: 6 OF 11		
	0 PLACES ±				A1-SIZE			SERIES: 33482		

**SHEET DESCRIPTION**  
**BACKSHELL NOTES**

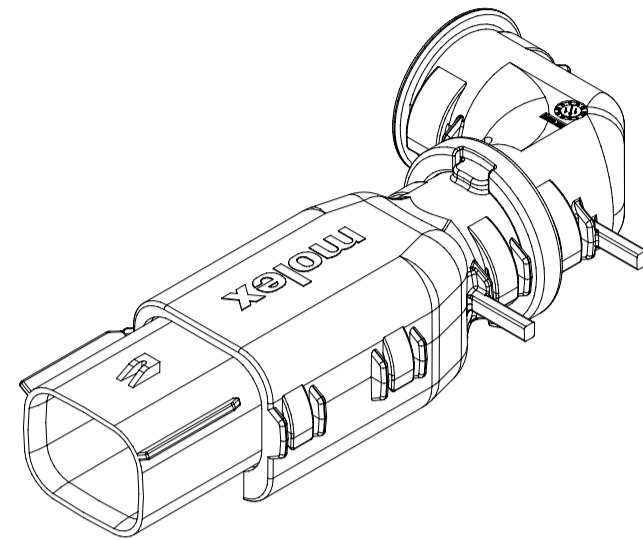
BACKSHELL NOTES: VALID UNLESS OTHERWISE SPECIFIED

1. GENERAL:

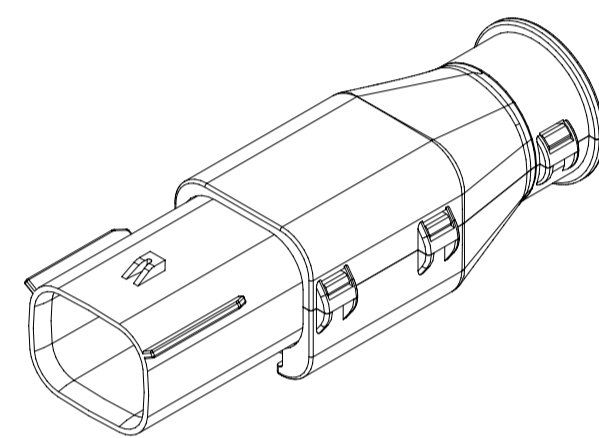
- a. APPLICATION SPECIFICATION SEE: AS-34951-001
- DESIGNED TO MATE WITH BLADE SEALED ASSEMBLY SPECIFIED IN MOLEX DRAWING SD-33482-0001.
- SYSTEM TO BE USED WITH WIRE WITHIN DIAMETER RANGE OF 1.2mm TO 2.69mm.
- COMPONENTS ARE OPTIONAL AND MUST BE PURCHASED SEPERATELY.
- DESIGN IS OWNED BY SCHLEMMER FOR SCHLEMMER BACKSHELL.
- DESIGN IS OWNED BY MOLEX FOR MOLEX BACKSHELL.
- 90° ADAPTOR DESIGN IS OWNED BY MOLEX.
- FOR ADDITIONAL INFORMATION SEE THE BACKSHELL COMPONENT DRAWING SD-34950-0001.



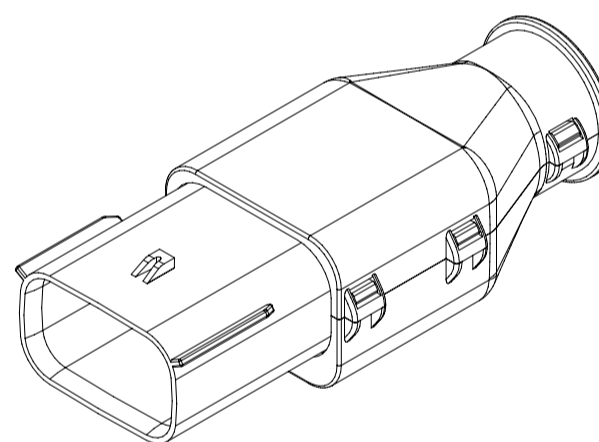
2X3



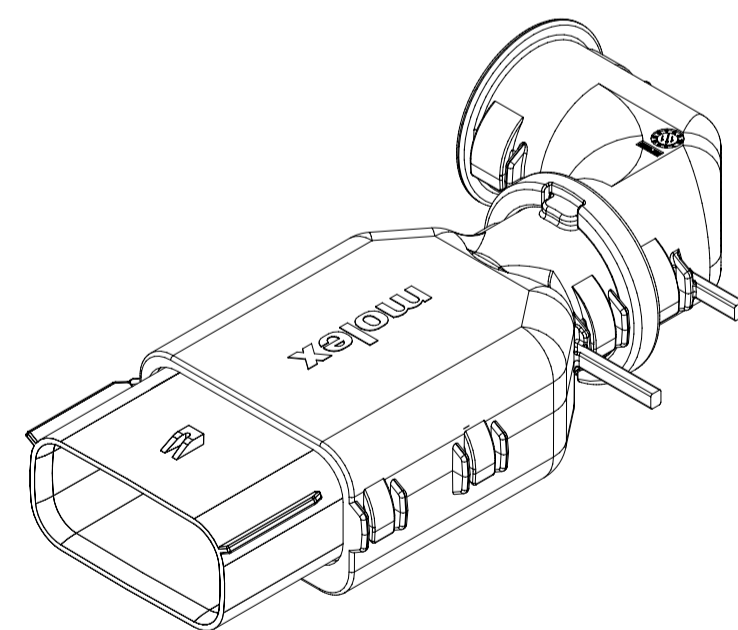
2X4



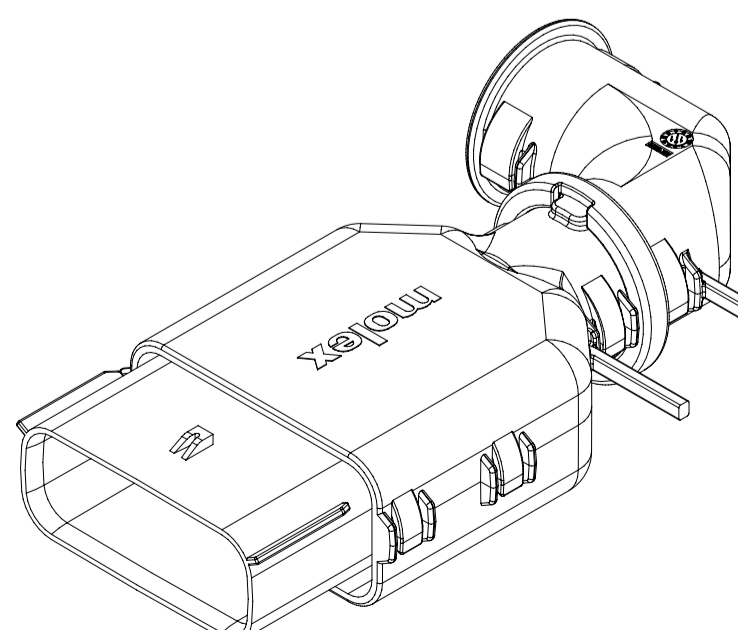
2X4



2X6



2X8



2X10

BACKSHELL CUSTOMER MODEL NUMBER LEGEND

34950-XXXX

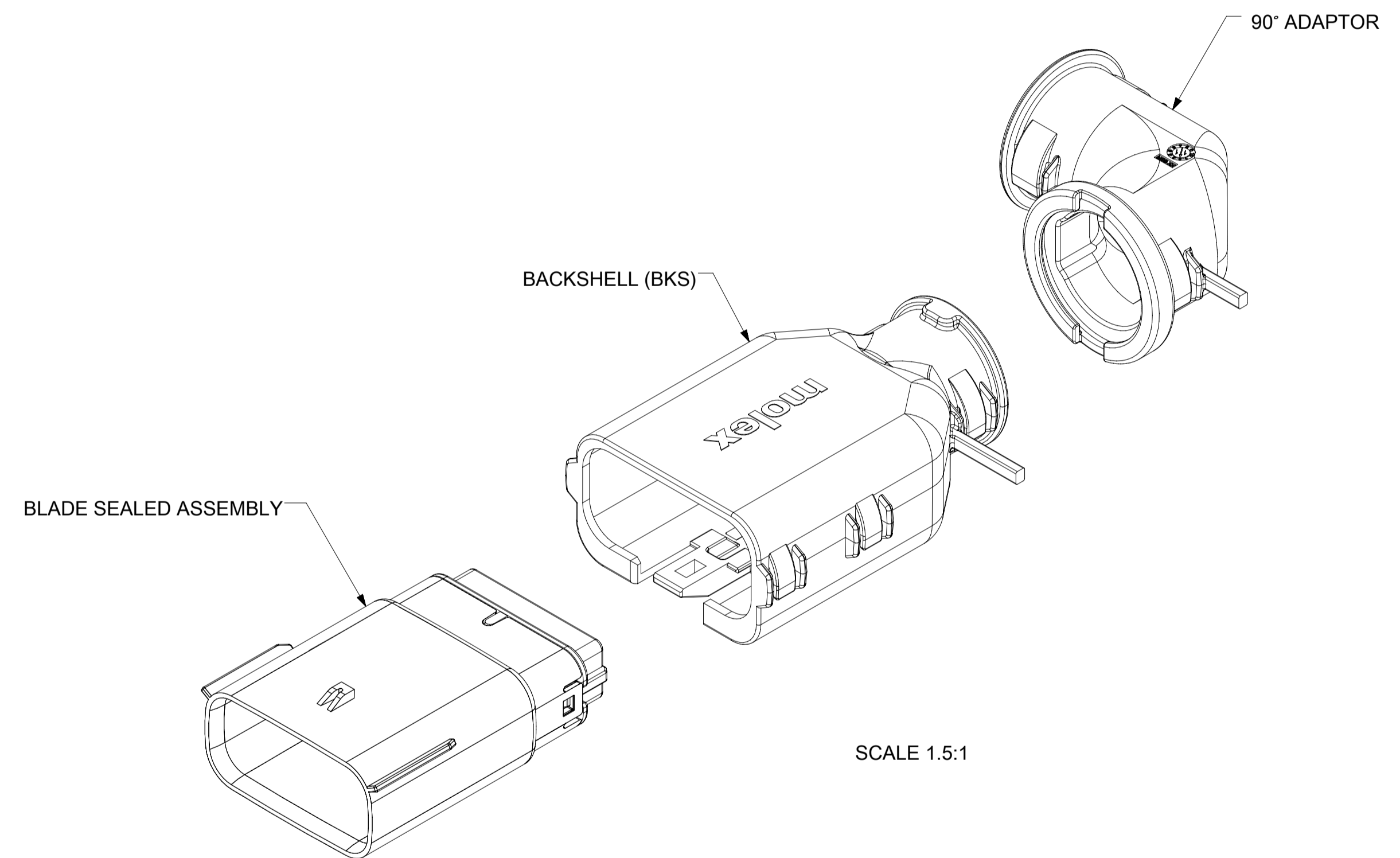
CUSTOMER MODEL COMPONENTS

- 0 - SCHLEMMER BACKSHELL ONLY
- 1 - SCHLEMMER BACKSHELL & MX150 HOUSING KEY A ASSEMBLY
- 2 - SCHLEMMER BACKSHELL & MX150 HOUSING KEY B ASSEMBLY
- 3 - SCHLEMMER BACKSHELL & MX150 HOUSING KEY C ASSEMBLY
- 4 - SCHLEMMER BACKSHELL & MX150 HOUSING KEY D ASSEMBLY
- 5 - MOLEX BACKSHELL ONLY
- 6 - MOLEX BACKSHELL & MX150 HOUSING KEY A ASSEMBLY
- 7 - MOLEX BACKSHELL & MX150 HOUSING KEY B ASSEMBLY
- 8 - MOLEX BACKSHELL & MX150 HOUSING KEY C ASSEMBLY
- 9 - MOLEX BACKSHELL & MX150 HOUSING KEY D ASSEMBLY

BACKSHELL FEATURES

- 1 - WITH RIBS
- 2 - WITHOUT RIBS
- 3 - 90° ADAPTOR

MX150 CIRCUIT SIZE 04, 06, 08, 12, 16, 20



SYMBOLS		THIS DRAWING CONTAINS INFORMATION THAT IS PROPRIETARY TO MOLEX ELECTRONIC TECHNOLOGIES, LLC AND SHOULD NOT BE USED WITHOUT WRITTEN PERMISSION		CURRENT REV DESC:		molex	
DIMENSION UNITS	SCALE						
= 0	mm	1.5:1					
= 0	GENERAL TOLERANCES (UNLESS SPECIFIED)		EC NO: 171650		MX150 BLADE		
= 0	ANGULAR TOL ± 1.0°		DRWN: PMANJUNATHAC 2018/01/03		DUAL ROW SEALED ASSEMBLY MAT SEAL		
= 0	4 PLACES ±		CHK'D: MVANSLAMBROU 2018/02/16		PRODUCT CUSTOMER DRAWING		
= 0	3 PLACES ±		APPR: MVANSLAMBROU 2018/02/16		DOCUMENT NUMBER		DOC TYPE   DOC PART   REVISION
= 0	2 PLACES ± 0.1		INITIAL REVISION:		SD-33482-0001		PSD   001   E2
= 0	1 PLACE ± 0.2		DRWN: APROFFITT 2014/04/28		MATERIAL NUMBER		CUSTOMER
= 0	0 PLACES ±		APPR: VKOSHY 2014/05/14		33482		SHEET NUMBER
= 0	DRAFT WHERE APPLICABLE MUST REMAIN WITHIN DIMENSIONS		THIRD ANGLE PROJECTION		A1-SIZE		GENERAL MARKET
= 0			DRAWING		SERIES		7 OF 11









