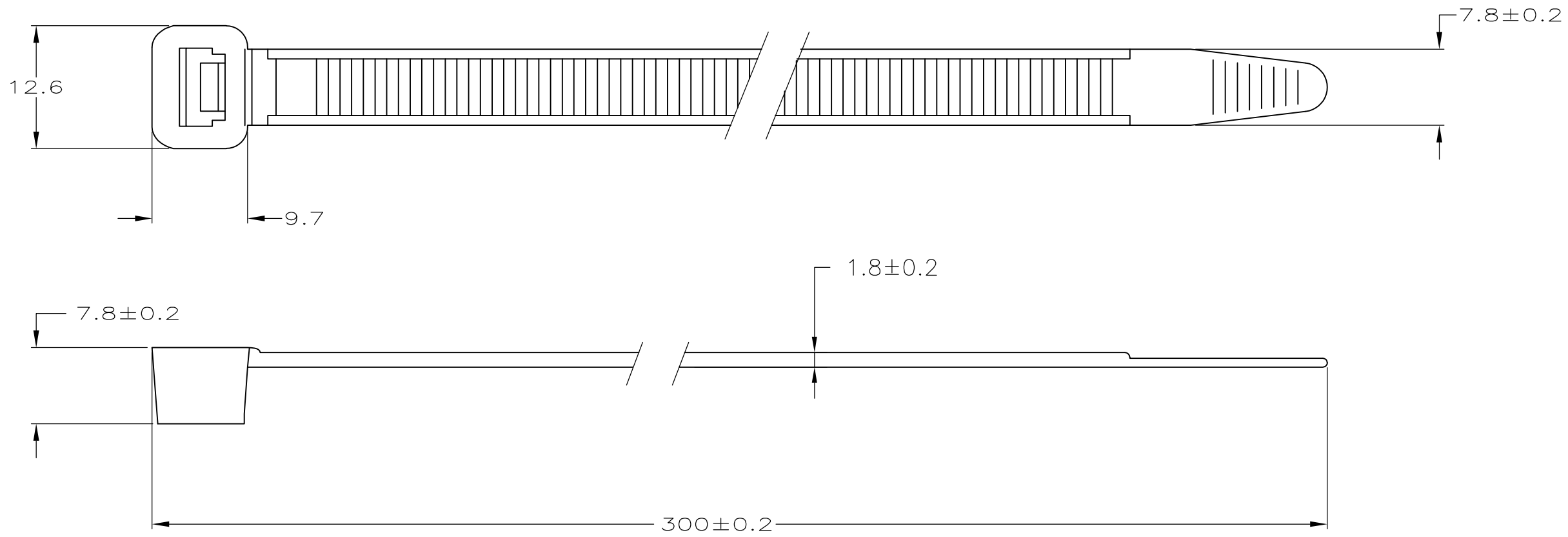


THIS DRAWING IS UNPUBLISHED. RELEASED FOR PUBLICATION  
 © COPYRIGHT - By - ALL RIGHTS RESERVED.

LOC		DIST		REVISIONS			
P	LTR	DESCRIPTION		DATE	DWN	APVD	
	C	VENDOR CHANGE; DIMENSION CHANGE ROLL BACK		21DEC2012	SP	RP	

NOTES:  
 1 RANGE: Ø80 MAX.  
 2 MIN. TENSILE STRENGTH 550N.



100	BLACK	POLYAMIDE 6.6	2-160982-2
100	NATURAL	POLYAMIDE 6.6	2-160982-1
QTY	FINISH	MATERIAL	PART NUMBER

THIS DRAWING IS A CONTROLLED DOCUMENT.		DWN J.V.D.HEIJDEN. 27-02-92	<b>STE</b> TE Connectivity	
DIMENSIONS: mm		CHK R.VOS.		
TOLERANCES UNLESS OTHERWISE SPECIFIED:		APVD L.V.SOEST.	NAME CABLE TY.	
0 PLC ± -		PRODUCT SPEC	SIZE	
1 PLC ± 0.4		APPLICATION SPEC	CAGE CODE	
2 PLC ± -		WEIGHT	DRAWING NO	
3 PLC ± -		MATERIAL	RESTRICTED TO	
4 PLC ± -			A3 00779 C-160982	
ANGLES ± -		CUSTOMER DRAWING		SCALE
FINISH		SHEET		REV
SEE TABLE		1 OF 1		C
SEE TABLE		NTS		