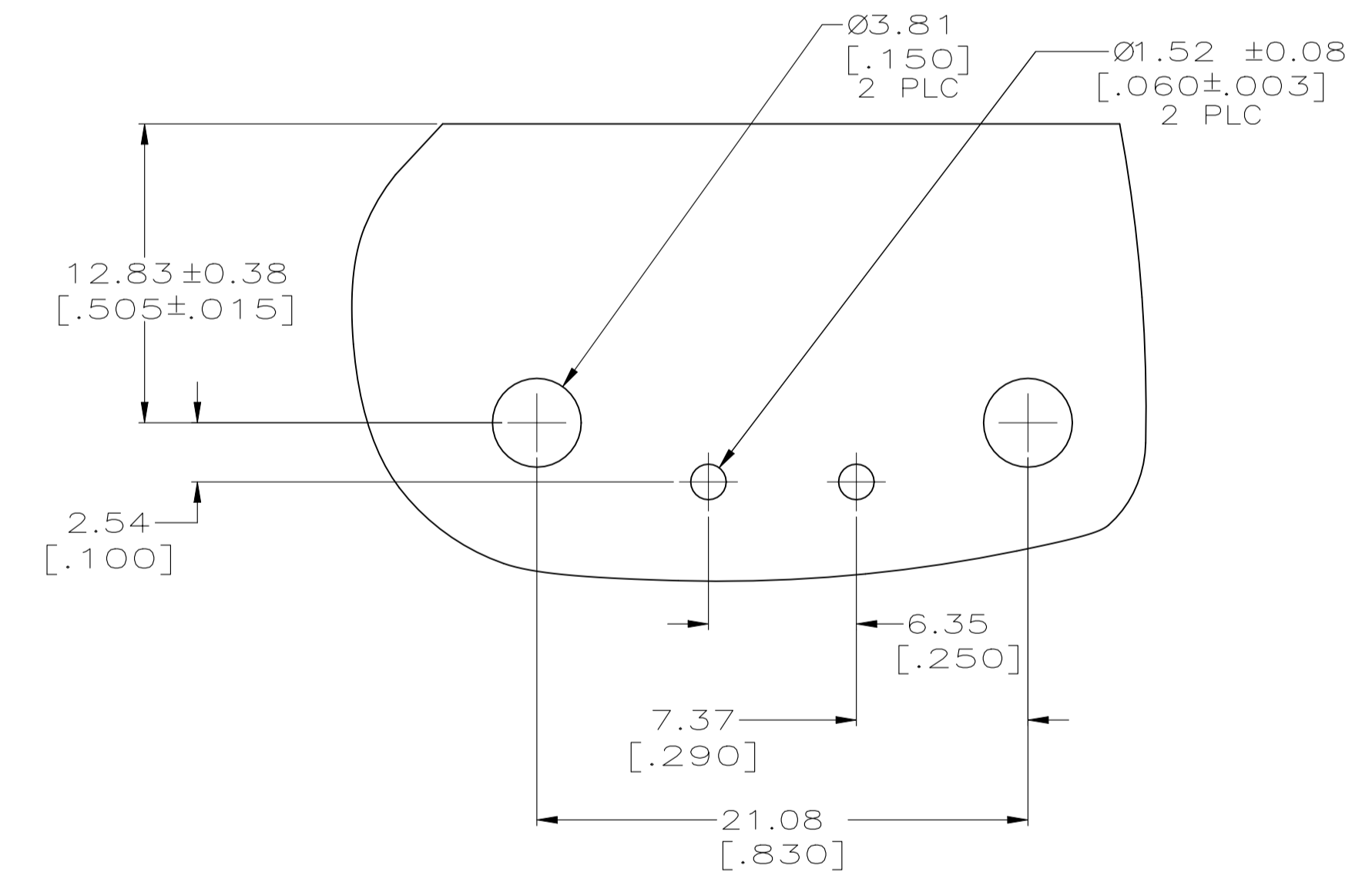
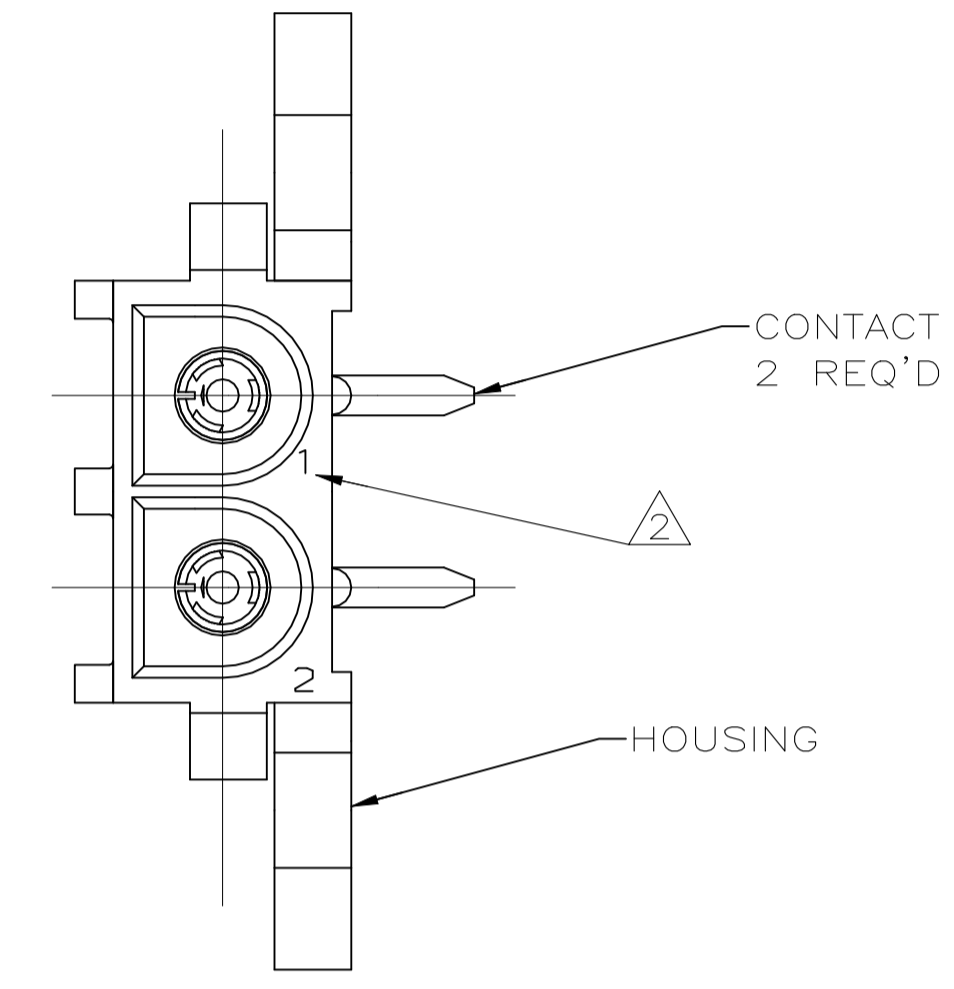
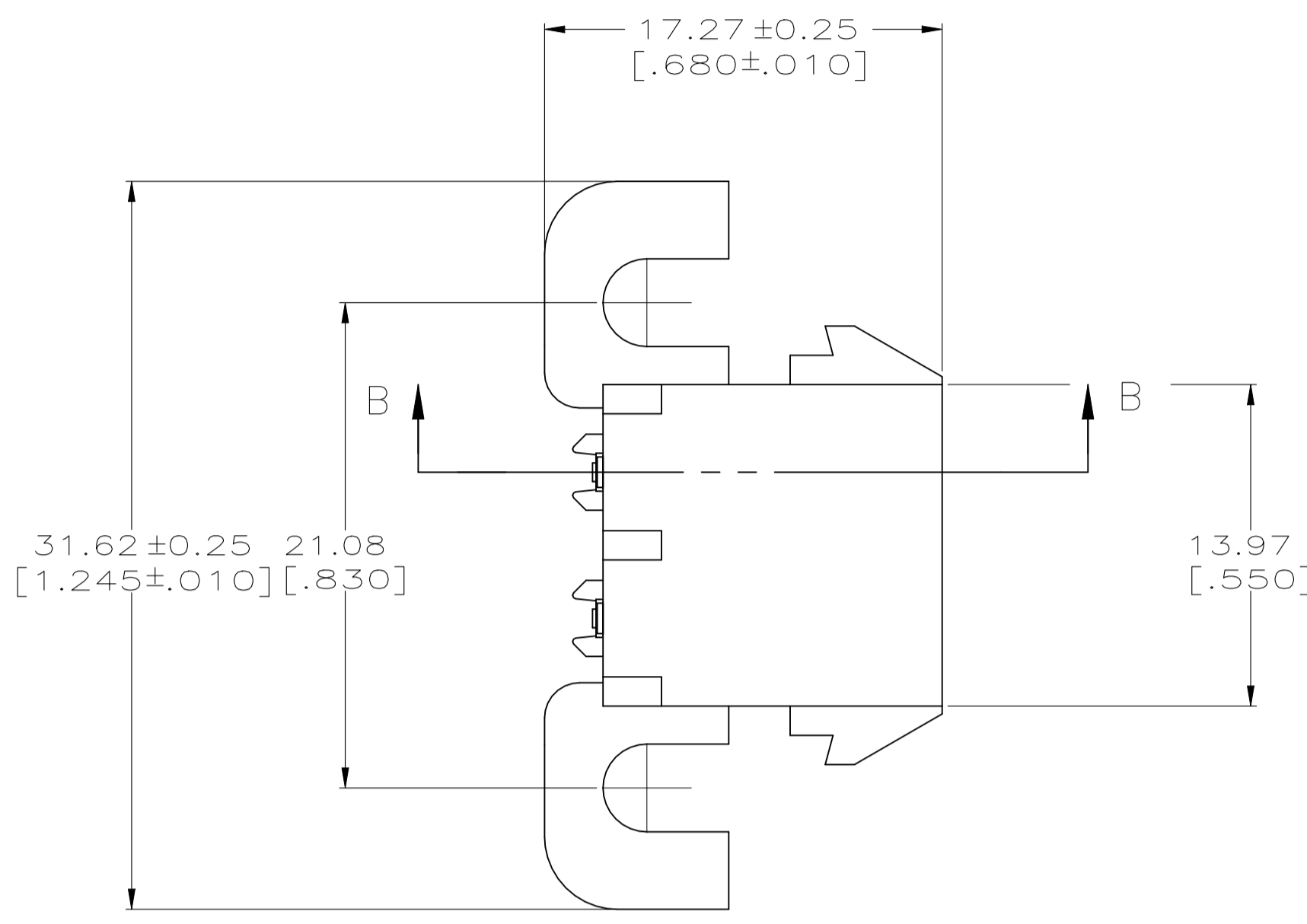
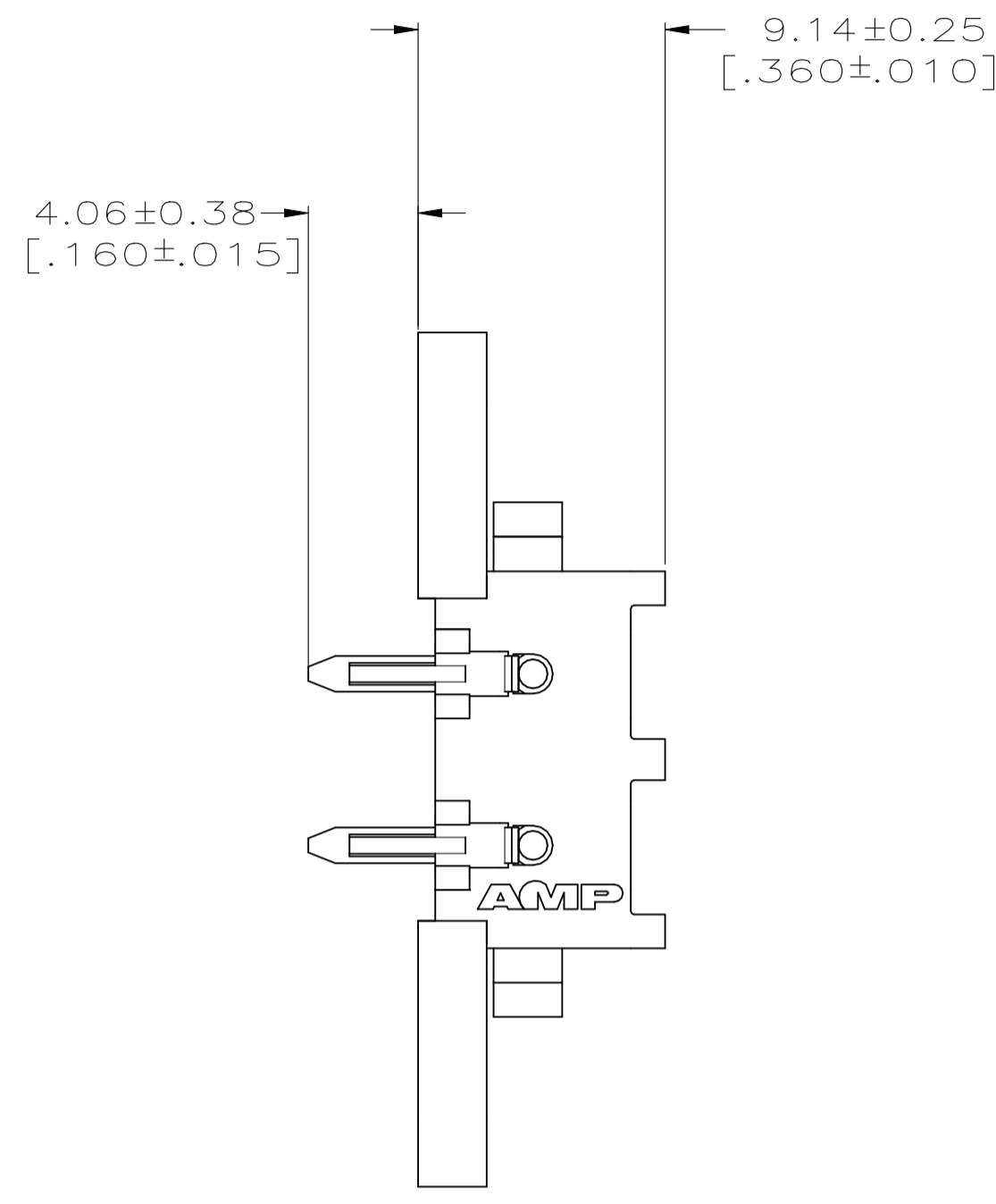
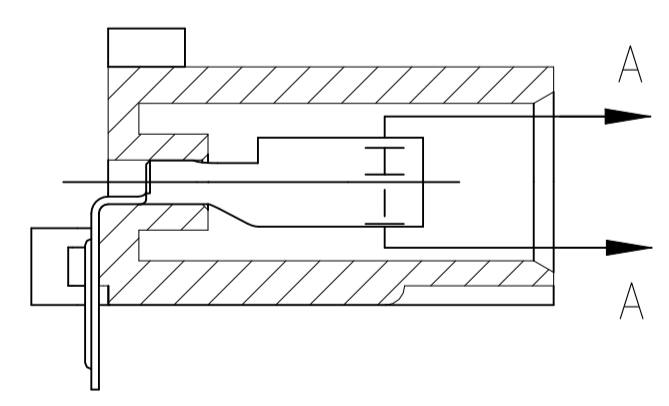


REVISIONS					
P	LTR	DESCRIPTION	DATE	DN	APVD
B1		REVISED PER ECR-21-118222	22JUL2022	AVN	VS

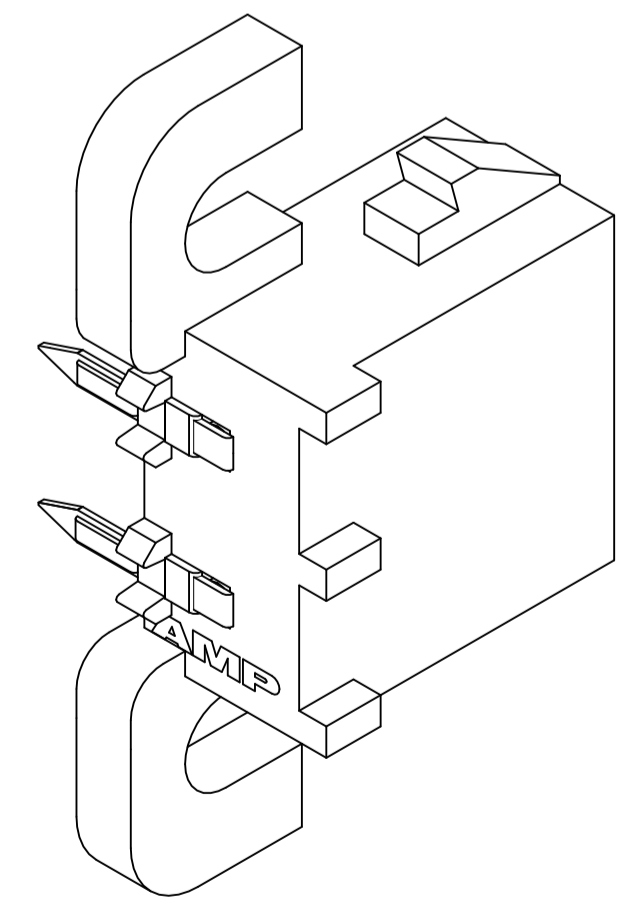
- PARTS COMPLY WITH AMP SOLDERABILITY SPECIFICATION 109-11-5.
- CIRCUIT IDENTIFICATION CHARACTERS ARE ADJACENT TO THE INDICATED CAVITIES, BUT LOCATION AND ORIENTATION MAY DIFFER FROM PRINT.
- DIMENSIONS IN BRACKETS ARE IN INCHES.
- DIMENSIONS SHOWN REPRESENT PRODUCT IN DRY CONDITION. ADDITIONAL 2% GROWTH DUE TO END USE LOCATION MOISTURE ABSORPTION MAY OCCUR AND SHOULD BE ACCOUNTED FOR.



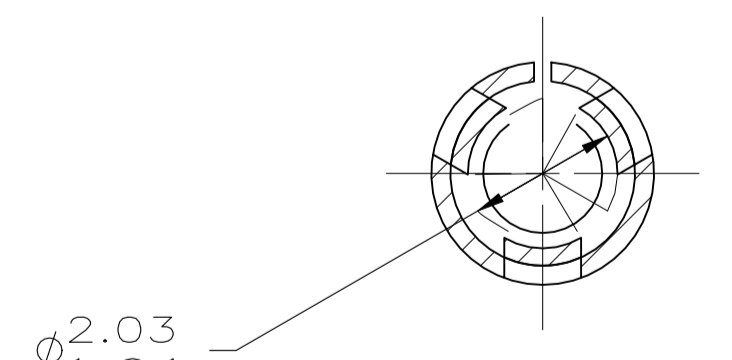
RECOMMENDED MOUNTING HOLE PATTERN FOR .062 [1.57] THICK P.C. BOARD



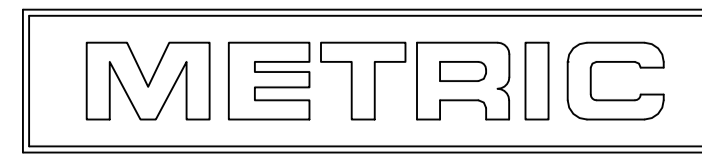
SECTION B-B



3-DIMENSIONAL MODEL NTS



SECTION A-A SCALE 10:1



THIS DRAWING IS A CONTROLLED DOCUMENT.		DIN 4-30-98		PH BRZ TIN		NYLON UL 94V-0		643226-1																					
DIMENSIONS: INCHES		TOLERANCES UNLESS OTHERWISE SPECIFIED:		CONTACT		HOUSING		PART NO																					
<table border="1"> <tr><td>0 PLC</td><td>± -</td></tr> <tr><td>1 PLC</td><td>± -</td></tr> <tr><td>2 PLC</td><td>± -</td></tr> <tr><td>3 PLC</td><td>± 0.13[.005]</td></tr> <tr><td>4 PLC</td><td>± -</td></tr> <tr><td>ANGLES</td><td>± 4° 30'</td></tr> </table>		0 PLC	± -	1 PLC	± -	2 PLC	± -	3 PLC	± 0.13[.005]	4 PLC	± -	ANGLES	± 4° 30'	<table border="1"> <tr><td>DIN 4-30-98</td><td>4-30-98</td></tr> <tr><td>DRK 4-30-98</td><td>4-30-98</td></tr> <tr><td>R SWING 4-30-98</td><td>4-30-98</td></tr> <tr><td>PC COBLE 4-30-98</td><td>4-30-98</td></tr> </table>		DIN 4-30-98	4-30-98	DRK 4-30-98	4-30-98	R SWING 4-30-98	4-30-98	PC COBLE 4-30-98	4-30-98	TE Connectivity		SOCKET HEADER ASSEMBLY, RIGHT ANGLE MOUNT, 2 POSITION, UNIVERSAL MATE-N-LOK			
0 PLC	± -																												
1 PLC	± -																												
2 PLC	± -																												
3 PLC	± 0.13[.005]																												
4 PLC	± -																												
ANGLES	± 4° 30'																												
DIN 4-30-98	4-30-98																												
DRK 4-30-98	4-30-98																												
R SWING 4-30-98	4-30-98																												
PC COBLE 4-30-98	4-30-98																												
MATERIAL SEE TABLE		FINISH SEE TABLE		APPROVALS		SIZE CAGE CODE DRAWING NO		RESTRICTED TO																					
				WEIGHT 0.000000		A1 00779C=643226		-																					
CUSTOMER DRAWING				SCALE 4:1		SHEET 1 of 1		REV B1																					