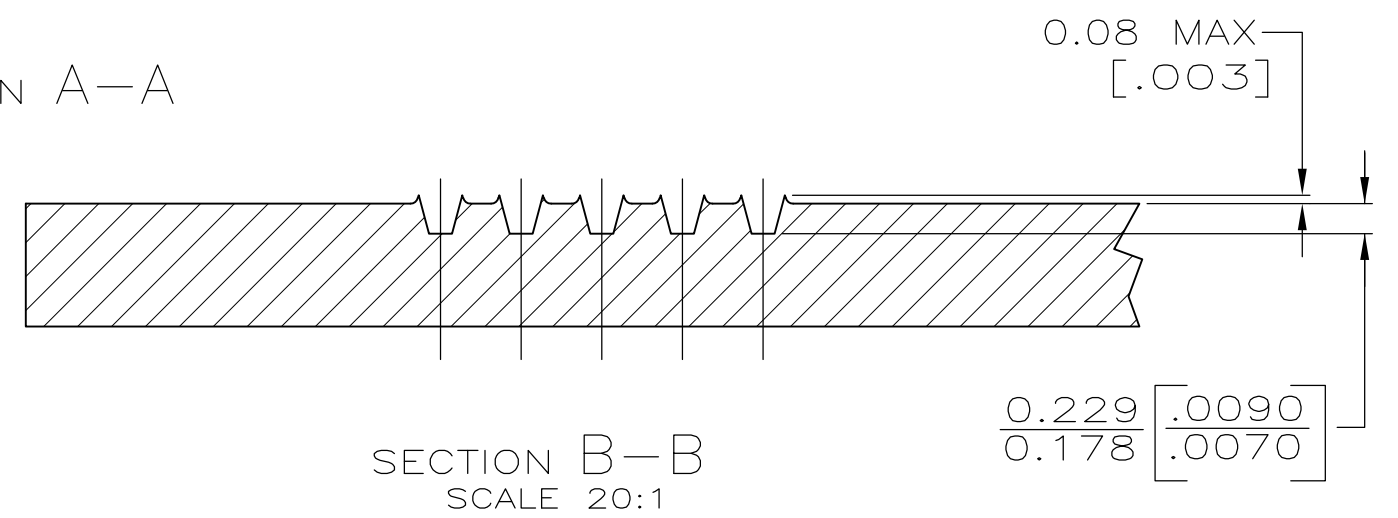
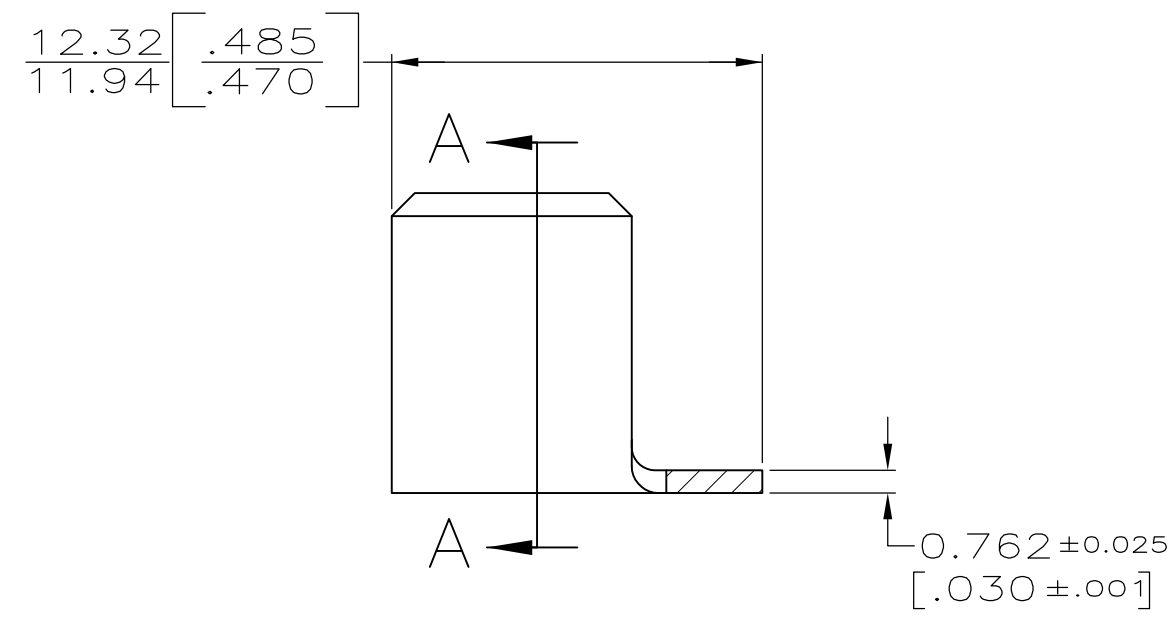
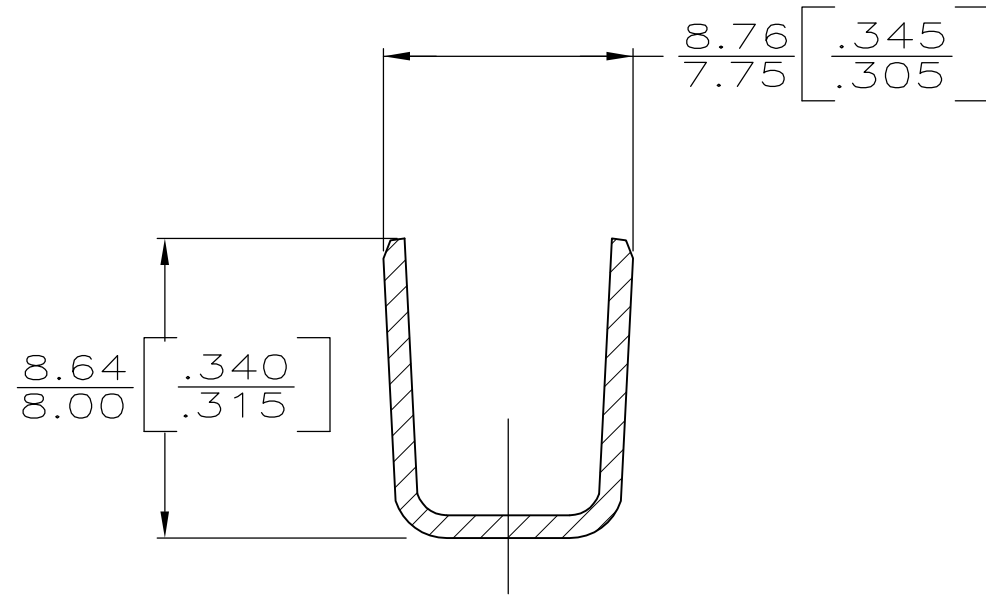
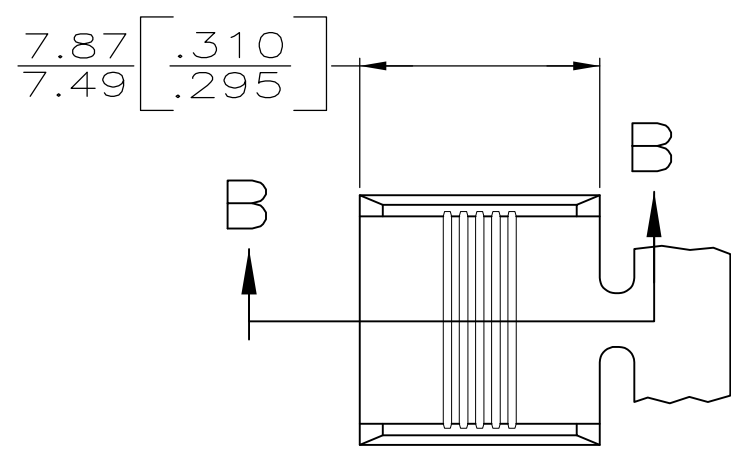


THIS DRAWING IS UNPUBLISHED. RELEASED FOR PUBLICATION
 © COPYRIGHT - By - ALL RIGHTS RESERVED.

LOC	DIST	REVISIONS					
AF	50	P	LTR	DESCRIPTION	DATE	DWN	APVD
			H	REVISED PER ECR-13-003819	06AUG13	GRZ	DZ



- 1 PRODUCT PROVIDED IN STRIP FORM ON REELS; BREAKS MAY BE PRESENT.
- 2 CRIMP WIDTH: .300, F TYPE (AMPLIVAR THRU)
 CRIMP HEIGHT ±.002 = (TOTAL CMA + 44,500) / 510,200
 GENERAL APPLICATION GUIDELINES MUST BE FOLLOWED AS SPECIFIED IN CATALOG #82221
 FOR APPLICATOR INFORMATION CALL: 1-800-722-1111
 FOR PRODUCT INFORMATION CALL: 1-800-522-6752

10,400 TO 22,900 CMA	63562-1
2 WIRE RANGE	PART NO

THIS DRAWING IS A CONTROLLED DOCUMENT.		DWN D.K. SCHRUM 11/30/89	TE Connectivity NAME SPLICE, AMPLIVAR 5 SERRATION				
DIMENSIONS: INCHES		CHK M.S. FEHER 12/6/89					
TOLERANCES UNLESS OTHERWISE SPECIFIED:		APVD D. SCHWENK 12/8/89					
0 PLC ± - 1 PLC ± - 2 PLC ± - 3 PLC ± 0.25 [.010] 4 PLC ± - ANGLES ± -		PRODUCT SPEC -					
MATERIAL BRASS	FINISH TIN PLATE	APPLICATION SPEC -	WEIGHT -	SIZE A3	CAGE CODE 00779	DRAWING NO C-63562	RESTRICTED TO -
CUSTOMER DRAWING			SCALE 4:1	SHEET 1 OF 1	REV H		