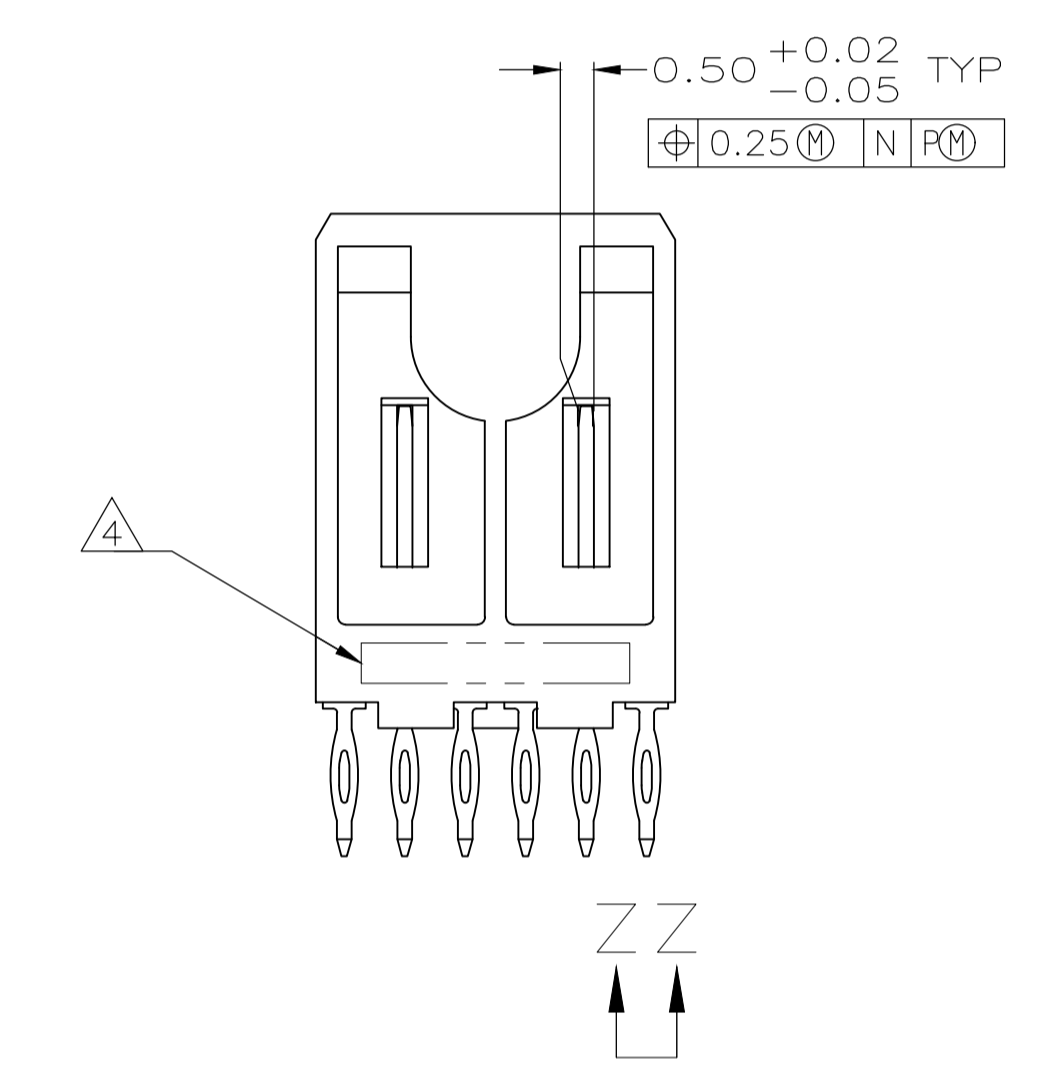
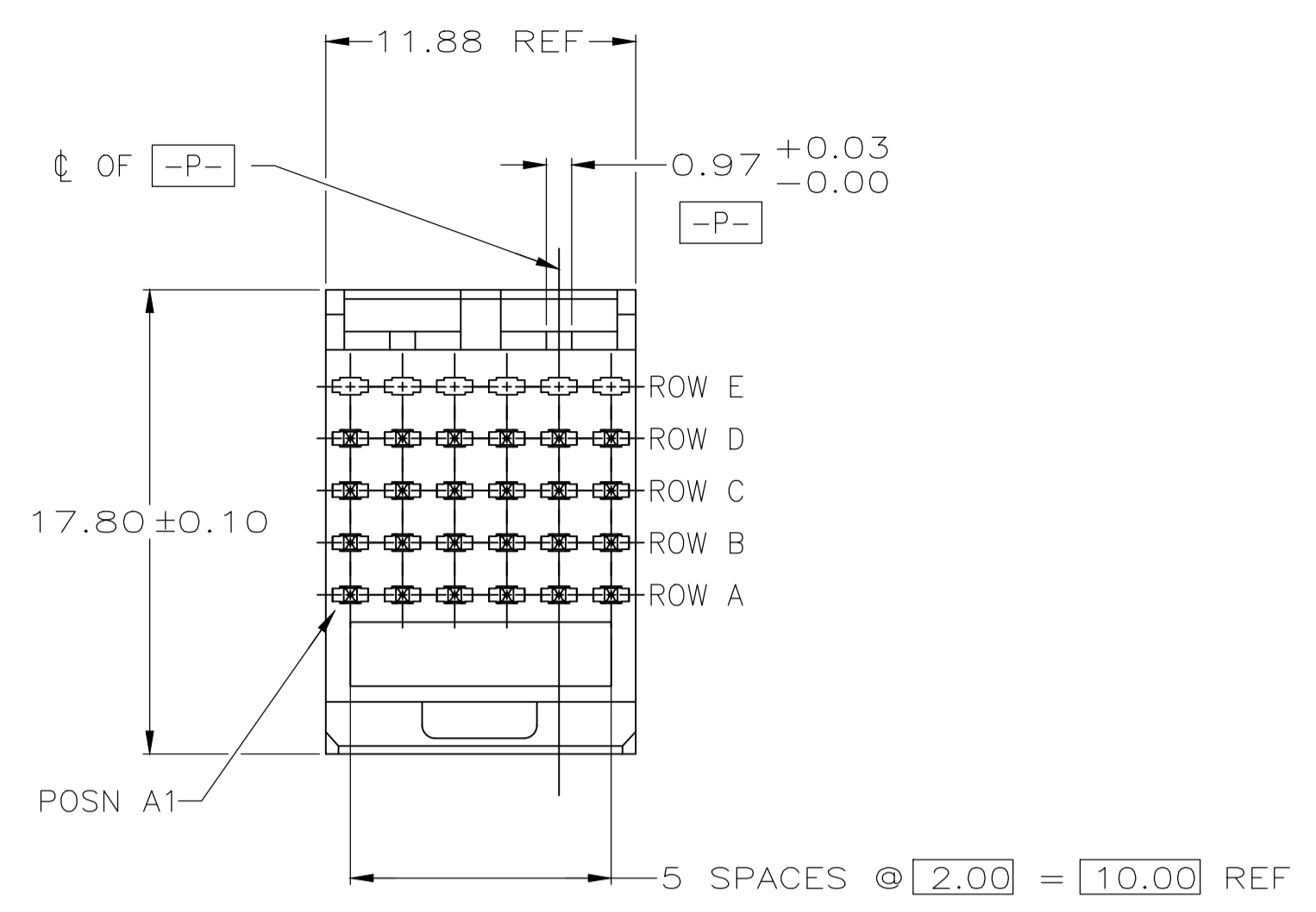
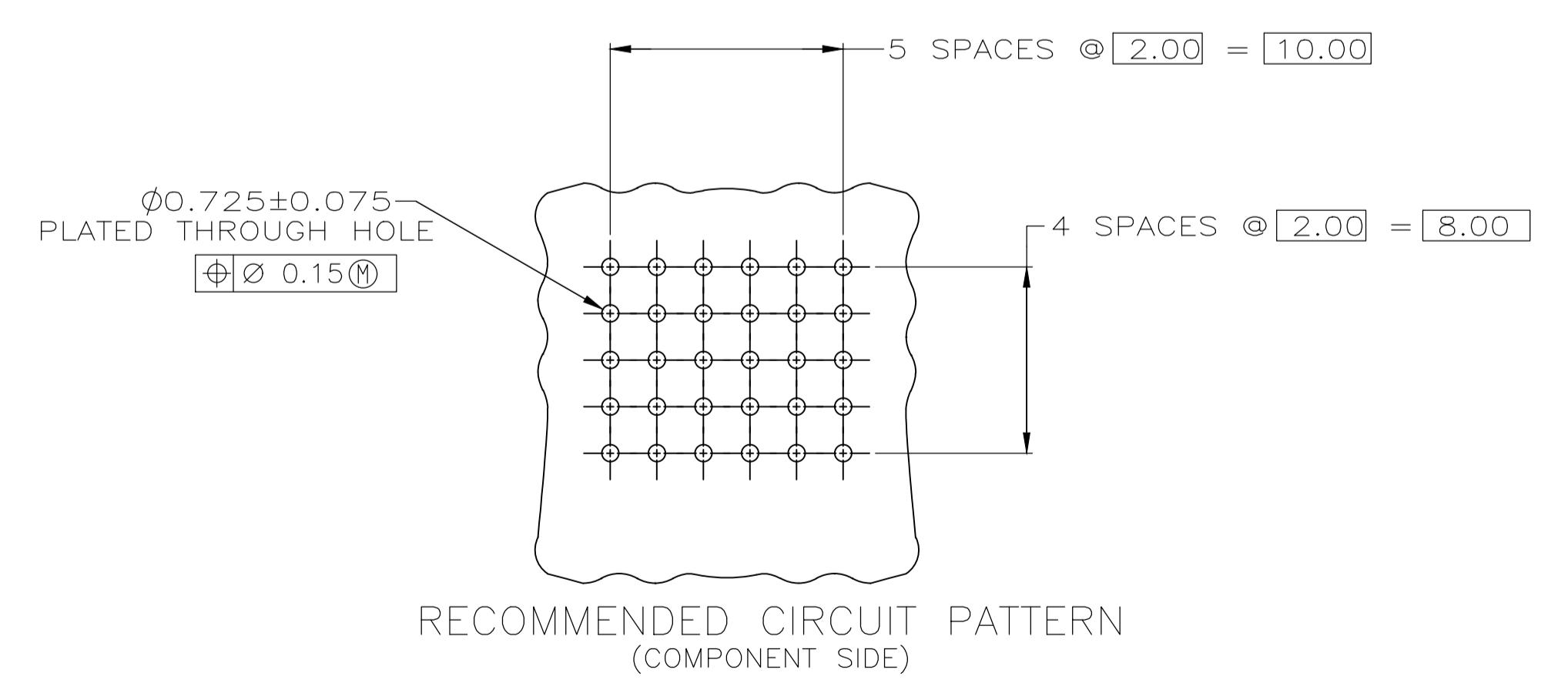
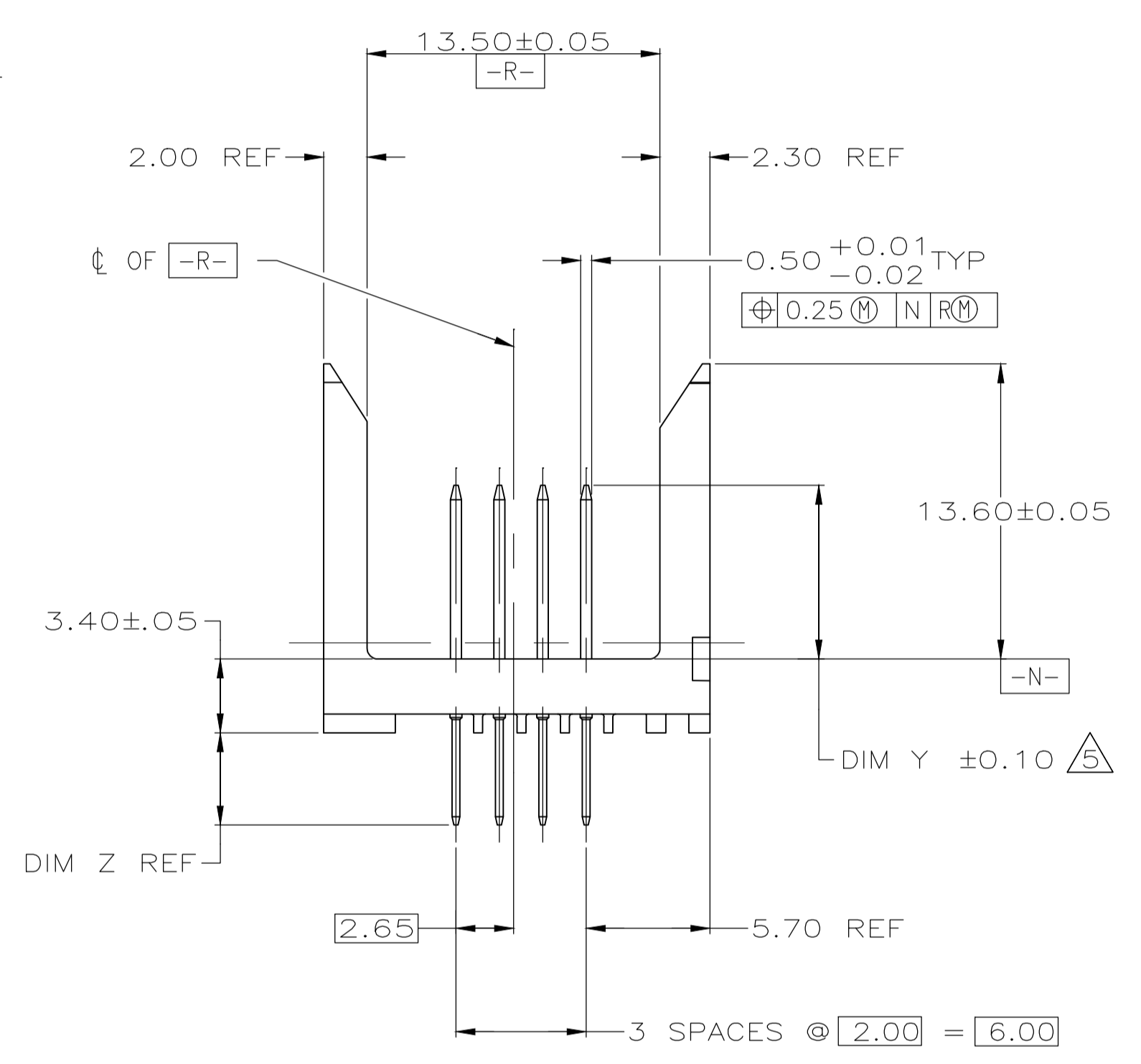


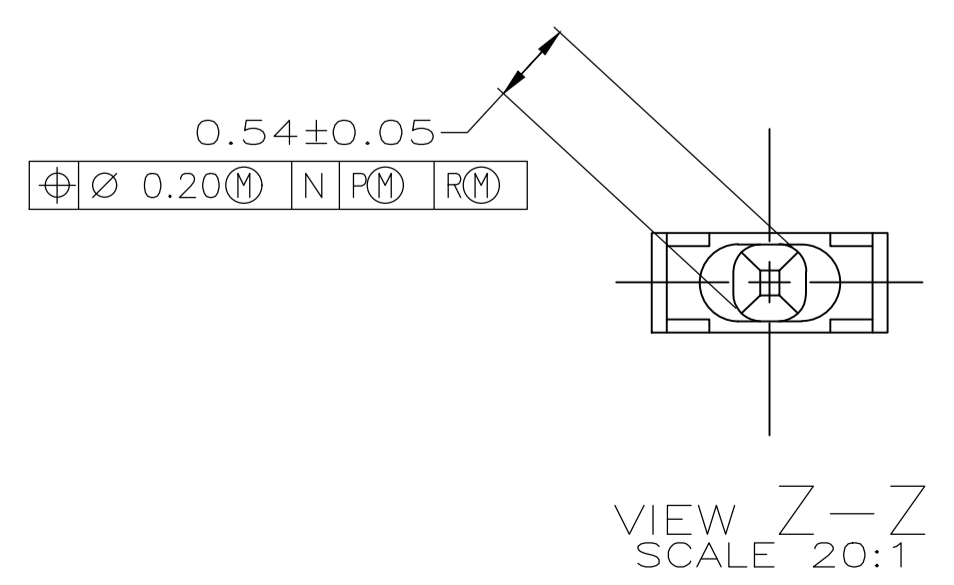
REVISIONS				
P	LTR	DESCRIPTION	DATE	APPV
D		REVISED PER ECO-20-013368	27SEP2020	RZ HL



5223080-1 AS SHOWN



RECOMMENDED CIRCUIT PATTERN (COMPONENT SIDE)



- 1 HOUSING MATERIAL: LIQUID CRYSTAL POLYMER. COLOR: NATURAL.
- 2 CONTACT MATERIAL: PHOSPHOR BRONZE.
- 3 CONTACT FINISH:
UNDERPLATE (ENTIRE CONTACT):
0.00127 MIN NICKEL PER SAE-AMS-QQ-N-290
ON MATING SURFACES:
CONFORMS TO ALL TESTING SPECIFIED FOR TELCORDIA UNCONTROLLED ENVIRONMENT.
ON LEADS:
0.0006 MIN MATTE TIN PER ASTM B 545 OVER UNDERPLATE.
LUBRICATION (MIN MATING SURFACES):
SURFACE CONDITIONER AFTER PLATING.
- 4 PART MARKING, LOCATED APPROXIMATELY AS SHOWN.
- 5 DIMENSION APPLIES WHEN SEATED ON PRINTED CIRCUIT BOARD.
- 6 SEE RESTRICTED CUSTOMER DRAWING 2-5223080-0
- 7 SEE RESTRICTED CUSTOMER DRAWING 2-5223080-1
- 8 OBSOLETE PARTS: OBSOLETE CIS STREAMLINING PER D.RENAUD/D.SINISI

REVISION	DESCRIPTION	DATE	APPV
8	OBSOLETE		
7	OBSOLETE		
6	OBSOLETE		
5	OBSOLETE		
4	OBSOLETE		
3	OBSOLETE		
2	OBSOLETE		
1	OBSOLETE		
0	OBSOLETE		
1	OBSOLETE		
2	OBSOLETE		
3	OBSOLETE		
4	OBSOLETE		
5	OBSOLETE		
6	OBSOLETE		
7	OBSOLETE		
8	OBSOLETE		
9	OBSOLETE		
10	OBSOLETE		
11	OBSOLETE		
12	OBSOLETE		
13	OBSOLETE		
14	OBSOLETE		
15	OBSOLETE		
16	OBSOLETE		
17	OBSOLETE		
18	OBSOLETE		
19	OBSOLETE		
20	OBSOLETE		
21	OBSOLETE		
22	OBSOLETE		
23	OBSOLETE		
24	OBSOLETE		
25	OBSOLETE		
26	OBSOLETE		
27	OBSOLETE		
28	OBSOLETE		
29	OBSOLETE		
30	OBSOLETE		
31	OBSOLETE		
32	OBSOLETE		
33	OBSOLETE		
34	OBSOLETE		
35	OBSOLETE		
36	OBSOLETE		
37	OBSOLETE		
38	OBSOLETE		
39	OBSOLETE		
40	OBSOLETE		
41	OBSOLETE		
42	OBSOLETE		
43	OBSOLETE		
44	OBSOLETE		
45	OBSOLETE		
46	OBSOLETE		
47	OBSOLETE		
48	OBSOLETE		
49	OBSOLETE		
50	OBSOLETE		
51	OBSOLETE		
52	OBSOLETE		
53	OBSOLETE		
54	OBSOLETE		
55	OBSOLETE		
56	OBSOLETE		
57	OBSOLETE		
58	OBSOLETE		
59	OBSOLETE		
60	OBSOLETE		
61	OBSOLETE		
62	OBSOLETE		
63	OBSOLETE		
64	OBSOLETE		
65	OBSOLETE		
66	OBSOLETE		
67	OBSOLETE		
68	OBSOLETE		
69	OBSOLETE		
70	OBSOLETE		
71	OBSOLETE		
72	OBSOLETE		
73	OBSOLETE		
74	OBSOLETE		
75	OBSOLETE		
76	OBSOLETE		
77	OBSOLETE		
78	OBSOLETE		
79	OBSOLETE		
80	OBSOLETE		
81	OBSOLETE		
82	OBSOLETE		
83	OBSOLETE		
84	OBSOLETE		
85	OBSOLETE		
86	OBSOLETE		
87	OBSOLETE		
88	OBSOLETE		
89	OBSOLETE		
90	OBSOLETE		
91	OBSOLETE		
92	OBSOLETE		
93	OBSOLETE		
94	OBSOLETE		
95	OBSOLETE		
96	OBSOLETE		
97	OBSOLETE		
98	OBSOLETE		
99	OBSOLETE		
100	OBSOLETE		

THIS DRAWING IS A CONTROLLED DOCUMENT.

DIMENSIONS:	TOLERANCES UNLESS OTHERWISE SPECIFIED:	DIN B MCMMASTER 130EC04	TE Connectivity
mm	0. PLC ± -	CIK R WERTZ 130EC04	
	1. PLC ± -	APPV R WERTZ 130EC04	
	2. PLC ± 0.13	NAME	PIN ASSY Z-PACK 2mm FB
	3. PLC ± -	PRODUCT SPEC	SIGNAL, VERTICAL 5R 30 POS
	4. PLC ± -	APPLICATION SPEC	SEQUENCED, WITH PRESS FIT LEADS
	ANGLES ± -	SIZE	A1
MATERIAL	FINISH	WEIGHT	0
		CAGE CODE	00779
		DRAWING NO	5223080
		RESTRICTED TO	
		CUSTOMER DRAWING	
		SCALE	4:1
		SHEET	1 OF 2
		REV	D

NO CONTACT	DIM Y	DIM Z
GG	5.00	13.60
DA	5.00	16.30
DB	7.25	16.30
WW	5.75	14.90
A	5.00	4.25
PP	8.25	17.00
S	7.25	17.00
M	6.50	17.00
MM	8.25	4.25
J	6.50	4.25
VV	8.00	14.90
Y	7.25	13.60
X	6.50	13.60
E	5.75	4.25
T	8.00	4.25
N	7.25	4.25
UU	5.75	13.60
SS	8.00	13.60

D	-	E	-	E	-	E	-	E	-	E
D	-	-	-	-	-	-	-	-	-	D
C	-	E	-	E	-	E	-	E	-	C
B	-	-	-	-	-	-	-	-	-	B
A	-	E	-	E	-	E	-	E	-	A
ROW	1	2	3	4	5	6	ROW			

5223080-5 LOAD CHART OBSOLETE

E	SUPERSEDED BY						E
D	BY						D
C	BY						C
B	1-5223080-6						B
A	BY						A
ROW	1	2	3	4	5	6	ROW

1-5223080-1 CONTACT LOAD CHART

E	E	-	E	-	E	-	E	-	E	
D	-	E	-	E	-	E	-	E	-	D
C	E	-	E	-	E	-	E	-	E	C
B	-	E	-	E	-	E	-	E	-	B
A	E	-	E	-	E	-	E	-	E	A
ROW	1	2	3	4	5	6	ROW			

4-5223080-7 CONTACT LOAD CHART

E	T	E	N	N	E	T	E
D	T	E	N	N	E	T	D
C	T	E	N	N	E	T	C
B	T	E	N	N	E	T	B
A	T	E	N	N	E	T	A
ROW	1	2	3	4	5	6	ROW

3-5223080-7 LOAD CHART OBSOLETE

E	J	J	J	J	E	J	E
D	J	J	J	J	J	J	D
C	J	J	J	J	J	J	C
B	J	J	J	J	J	J	B
A	J	J	J	J	J	J	A
ROW	1	2	3	4	5	6	ROW

4-5223080-7 CONTACT LOAD CHART

E	N	N	N	N	N	N	N	E
D	J	J	J	J	J	J	J	D
C	N	N	N	N	N	N	N	C
B	N	N	N	N	N	N	N	B
A	N	N	N	N	N	N	N	A
ROW	1	2	3	4	5	6	ROW	

6-5223080-0 CONTACT LOAD CHART

E	X	X	W	X	W	X	E
D	X	X	W	W	X	Y	D
C	X	X	W	X	W	X	C
B	X	X	W	W	X	Y	B
A	X	X	W	X	W	W	A
ROW	1	2	3	4	5	6	ROW

5223080-6 CONTACT LOAD CHART

E	SUPERSEDED BY						E
D	BY						D
C	BY						C
B	1-5223080-7						B
A	BY						A
ROW	1	2	3	4	5	6	ROW

1-5223080-2 CONTACT LOAD CHART

E	N	E	E	E	E	E	E
D	N	E	E	E	E	A	D
C	N	E	E	E	E	E	C
B	N	E	E	E	E	E	B
A	N	E	E	E	E	E	A
ROW	1	2	3	4	5	6	ROW

2-5223080-7 CONTACT LOAD CHART

E	E	E	E	E	E	T	E
D	E	E	E	E	E	T	D
C	E	E	E	E	E	T	C
B	E	E	E	E	E	T	B
A	E	E	E	E	E	T	A
ROW	1	2	3	4	5	6	ROW

3-5223080-8 LOAD CHART OBSOLETE

E	A	E	E	E	E	E	E
D	E	E	E	E	E	E	D
C	E	E	E	E	E	E	C
B	E	E	E	E	E	E	B
A	E	E	E	E	E	E	A
ROW	1	2	3	4	5	6	ROW

4-5223080-8 CONTACT LOAD CHART

E	GG	GG	GG	GG	GG	GG	E
D	GG	GG	GG	GG	GG	GG	D
C	GG	GG	GG	GG	GG	GG	C
B	GG	GG	GG	GG	GG	GG	B
A	GG	GG	GG	GG	GG	GG	A
ROW	1	2	3	4	5	6	ROW

6-5223080-7 CONTACT LOAD CHART

E	X	-	X	-	X	X	E
D	-	X	-	X	X	X	D
C	X	-	X	-	X	X	C
B	-	X	-	X	X	X	B
A	X	-	X	-	X	X	A
ROW	1	2	3	4	5	6	ROW

5223080-7 CONTACT LOAD CHART

E	J	A	A	A	A	A	E
D	J	A	A	A	A	A	D
C	J	A	A	A	A	A	C
B	J	A	A	A	A	A	B
A	J	A	A	A	A	A	A
ROW	1	2	3	4	5	6	ROW

1-5223080-3 LOAD CHART OBSOLETE

E	E	E	N	E	N	E	E
D	E	E	N	E	N	E	D
C	E	E	N	E	N	E	C
B	E	E	N	E	N	E	B
A	E	E	N	E	N	E	A
ROW	1	2	3	4	5	6	ROW

2-5223080-8 CONTACT LOAD CHART

E	SS	UU	Y	Y	UU	SS	E
D	SS	UU	Y	Y	UU	SS	D
C	SS	UU	Y	Y	UU	SS	C
B	SS	UU	Y	Y	UU	SS	B
A	SS	UU	Y	Y	UU	SS	A
ROW	1	2	3	4	5	6	ROW

4-5223080-0 LOAD CHART OBSOLETE

E	E	E	E	E	N	N	E
D	E	E	E	E	N	N	D
C	E	E	E	E	E	E	C
B	E	E	E	E	T	T	B
A	E	E	E	E	T	T	A
ROW	1	2	3	4	5	6	ROW

5-5223080-3 CONTACT LOAD CHART

E	E	E	J	E	E	E	E
D	E	E	J	E	E	E	D
C	E	E	E	E	E	E	C
B	E	E	J	E	E	E	B
A	E	E	J	E	E	E	A
ROW	1	2	3	4	5	6	ROW

6-5223080-8 CONTACT LOAD CHART

E	-	-	-	-	-	-	E
D	N	N	N	N	N	N	D
C	N	N	N	N	N	N	C
B	T	T	T	T	T	T	B
A	T	T	T	T	T	T	A
ROW	1	2	3	4	5	6	ROW

5223080-1 CONTACT LOAD CHART

E	M	M	M	M	M	M	M	E
D	N	N	N	N	N	N	N	D
C	J	J	J	J	J	J	J	C
B	N	N	N	N	N	N	N	B
A	M	M	M	M	M	M	M	A
ROW	1	2	3	4	5	6	ROW	

5223080-8 CONTACT LOAD CHART

E	A	A	A	A	A	A	E
D	A	A	A	A	A	A	D
C	E	A	A	A	A	A	C
B	A	A	A	A	A	A	B
A	A	A	A	A	A	A	A
ROW	1	2	3	4	5	6	ROW

1-5223080-4 CONTACT LOAD CHART

E	E	E	E	A	E	E	E
D	E	E	E	A	E	E	D
C	E	E	E	A	E	E	C
B	E	E	E	A	E	E	B
A	A	E	E	A	E	E	A
ROW	1	2	3	4	5	6	ROW

3-5223080-2 LOAD CHART OBSOLETE

E	E	E	E	E	E	E	E
D	E	E	E	E	E	E	D
C	E	E	E	E	E	N	C
B	E	E	E	E	E	E	B
A	E	E	E	E	E	E	A
ROW	1	2	3	4	5	6	ROW

4-5223080-1 CONTACT LOAD CHART

E	SUPERCEDED BY						E
D	BY						D
C	BY						C
B	5-1705988-6						B
A	BY						A
ROW	1	2	3	4	5	6	ROW

5-5223080-6 CONTACT LOAD CHART

E	E	E	E	E	E	E	E
D	E	E	E	E	E	E	D
C	T	E	E	E	E	E	C
B	E	E	E	E	E	E	B
A	E	E	E	E	E	E	A
ROW	1	2	3	4	5	6	ROW

6-5223080-9 CONTACT LOAD CHART

E	-	E	-	E	-	E	-	E	
D	E	-	E	-	E	-	E	-	D
C	-	E	-	E	-	E	-	E	C
B	E	-	E	-	E	-	E	-	B
A	-	E	-	E	-	E	-	E	A
ROW	1	2	3	4	5	6	ROW		

5223080-2 CONTACT LOAD CHART

E	P	P	P	P	P	P	P	E
D	S	S	S	S	S	S	S	D
C	M	M	M	M	M	M	M	C
B	S	S	S	S	S	S	S	B
A	P	P	P	P	P	P	P	A
ROW	1	2	3	4	5	6	ROW	

5223080-8 CONTACT LOAD CHART

E	E	E	E	E	E	E	E
D	N	N	N	N	N	N	D
C	N	N	N	N	N	N	C
B	J	J	J	J	J	J	B
A	N	N	N	N	N	N	A
ROW	1	2	3	4	5	6	ROW

1-5223080-5 CONTACT LOAD CHART

E	E	E	E	E	A	A	E
D	E	E	E	E	A	A	D
C	A	E	E	E	A	A	C
B	E	E	E	E	A	A	B
A	A	E	E	E	A	A	A
ROW	1	2	3	4	5	6	ROW

3-5223080-3 LOAD CHART OBSOLETE

E	E	E	E	E	E	N	E
D	E	E	E	E	E	N	D
C	E	E	E	E	E	N	C
B	E	E	E	E	E	N	B
A	E	E	E	E	E	N	A
ROW	1	2	3	4	5	6	ROW

4-5223080-2 CONTACT LOAD CHART

E	SUPERCEDED BY						E
D	BY						D
C	BY						C
B	5-1705988-7						B
A	BY						A
ROW	1	2	3	4	5	6	ROW

5-5223080-7 CONTACT LOAD CHART

E	SS	SS	SS	SS	SS	SS	SS	E
D	SS	SS	SS	SS	SS	SS	SS	D
C	UU	UU	UU	UU	UU	UU	UU	C
B	SS	SS	SS	SS	SS	SS	SS	B
A	SS	SS	SS	SS	SS	SS	SS	A
ROW	1	2	3	4	5	6	ROW	

7-5223080-0 LOAD CHART OBSOLETE

E	-	-	-	-	-	-	E
D	E	-	E	-	E	-	D
C	-	E	-	E	-	E	C
B	E	-	E	-	E	-	B
A	-	E	-	E	-	E	A
ROW	1	2	3	4	5	6	ROW

5223080-3 CONTACT LOAD CHART

E	N	N	N	N	N	N	E
D	M	N	N	N	N	N	D
C	M	N	N	N	N	N	C
B	N	N	N	N	N	N	B
A	M	M	M	M	M	M	A
ROW	1	2	3	4	5	6	ROW