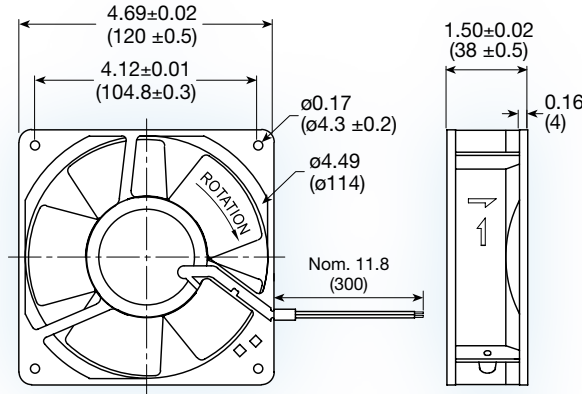


# UF12AM series

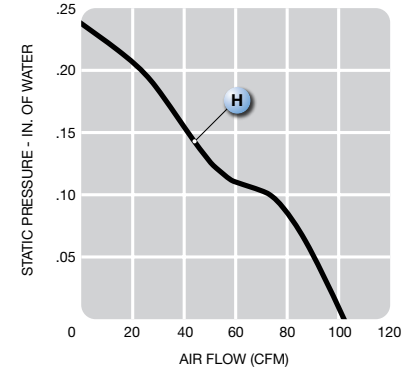
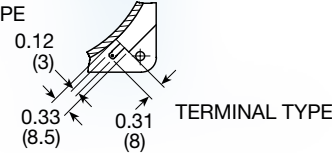


**(120 x 120 x 38 mm)**

4.69 x 4.69 x 1.5 inches



LEAD WIRE TYPE



**Features:** high temp -40°C ~ 90°C operating temperature range

**Operating voltage:** 115 or 230 VAC

**Construction:** aluminum die cast frame; metal impeller

**Bearing option:** ball bearing with high temp lubricant

**Motor:** shaded pole - Class F insulation

**Air Flow:** exhaust over struts

**Connection:** terminal or 22 AWG lead wire

**Protection:** impedance

**Option:** tachometer output

Model No.	Rated Voltage V	Freq. HZ	Input Power W	Rated Cur. A	Locked Cur. A	Speed RPM	Air Volume		Max. Static Pressure (H <sub>2</sub> O)		Sound Noise dBa	Weight kg
							M <sup>3</sup> /Min.	CFM	MM	INCH		
UF12AM12-_ <b>H</b>	115	60	13	0.15	0.22	3,100	2.9	103	6.0	0.24	46	0.55
UF12AM23-_ <b>H</b>	230	60	15	0.09	0.12	3,100	2.9	103	6.0	0.24	46	0.55

