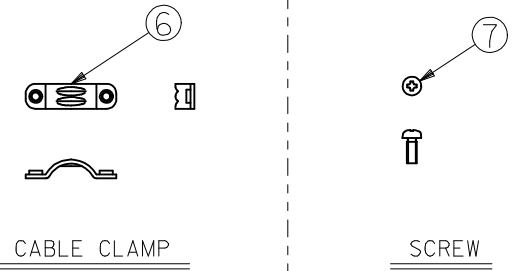


部品構成
PARTS CONSTRUCTION

| 部番 NO. | 部品名 PART NAME | 製品番号 ENG. NO. | 個数 QUAN. | 材質 MATERIAL |
|-----------|---|------------------|-------------|--|
| ① | ハウジングアッセンブリ HOUSING ASS'Y | 54593-1016 | 1 | ハウジング：ポリアミド(PA)、ガラス充填、UL94V-0、黒 HOUSING : POLYAMIDE(PA), GLASS FILLED, UL94V-0, BLACK ターミナル：りん青銅 t0.3 TERMINAL : PHOSPHOR BRONZE t0.3 メッキ仕様 接点部：ニッケル下地金メッキ PLATING CONTACT AREA : GOLD OVER NICKEL 結線部：ニッケル下地錫メッキ WIRE TERMINATION AREA : TIN OVER NICKEL |
| ② | カバーA COVER A | 54594-1016 | 1 | カバーA：ポリカーボネート(PC)、ガラス充填、UL94V-0、黒 COVER A : POLYCARBONATE(PC), GLASS FILLED, UL94V-0, BLACK スプリングラッチ：ステンレス鋼 t0.4 SPRING LATCH : STAINLESS STEEL t0.4 |
| ③ | カバーB COVER B | 54595-1006 | 1 | ポリカーボネート(PC)、ガラス充填、UL94V-0、黒 POLYCARBONATE(PC), GLASS FILLED, UL94V-0, BLACK |
| ④ | シェル カバー SHELL COVER | 58935-1028 | 1 | りん青銅 t0.4 PHOSPHOR BRONZE t0.4 |
| ⑤ | シェル ボディ SHELL BODY | 58934-1028 | 1 | メッキ仕様：ニッケル下地 錫メッキ PLATING : NICKEL BASE TIN PLATING |
| ⑥ | ケーブルクランプ CABLE CLAMP | 58937-0000 | 1 | ステンレス鋼 STAINLESS STEEL |
| ⑦ | 十字穴付きなべ小ネジ CROSS RECESSED PAN HEAD MACHINE SCREW | 58203-0010 | 2 | 鋼(ネジサイズ：M2X5) STEEL (SCREW SIZE : M2X5) |

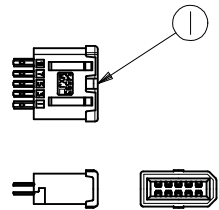
NOTES:

1. 対応ソケット：55445-1019
APPLECABLE SOCKET:55445-1019
2. 本製品は54599-1019の黒色カバー品になります。
THIS PRODUCT IS BLACK COVER OF 54599-1019.
3. ELV AND RoHS COMPLIANT.

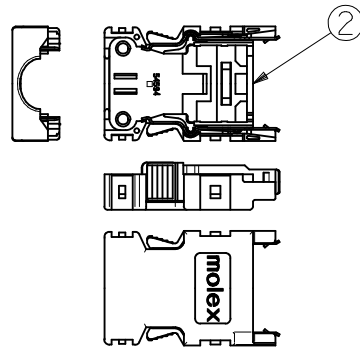


CABLE CLAMP

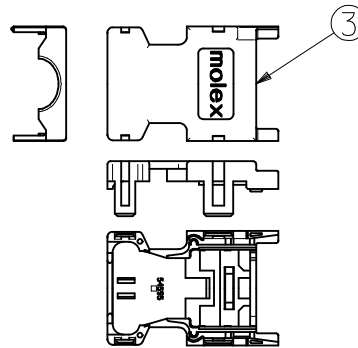
SCREW



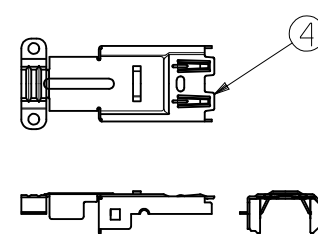
HOUSING ASS'Y



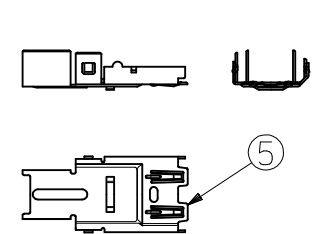
COVER A



COVER B



SHELL COVER



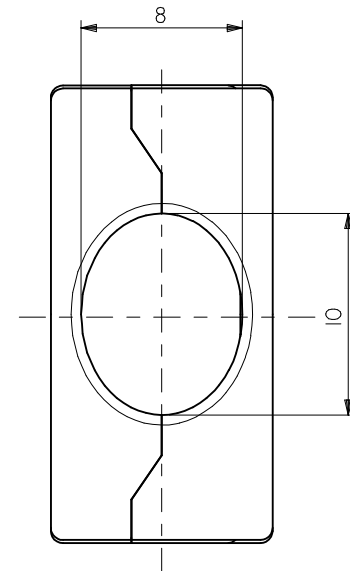
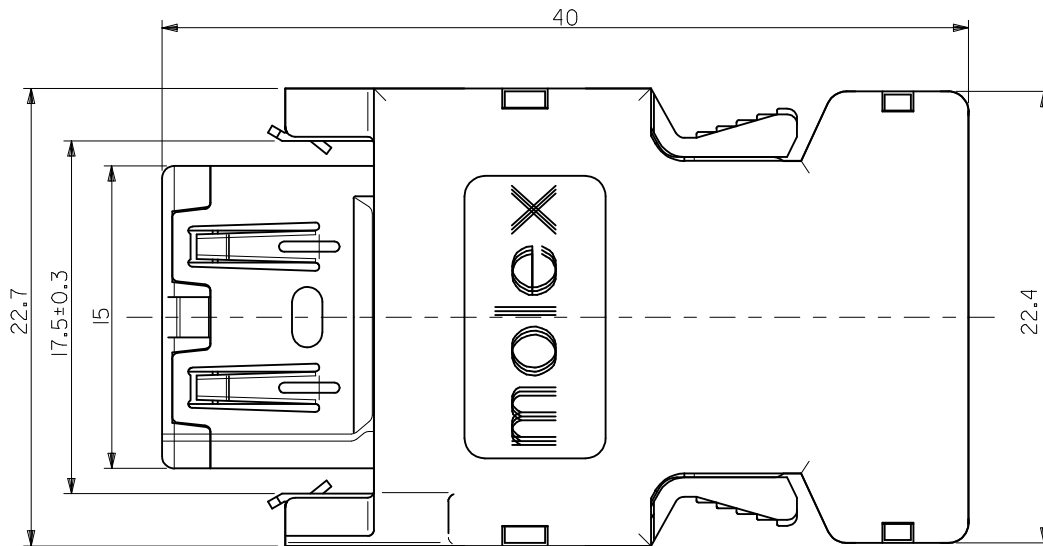
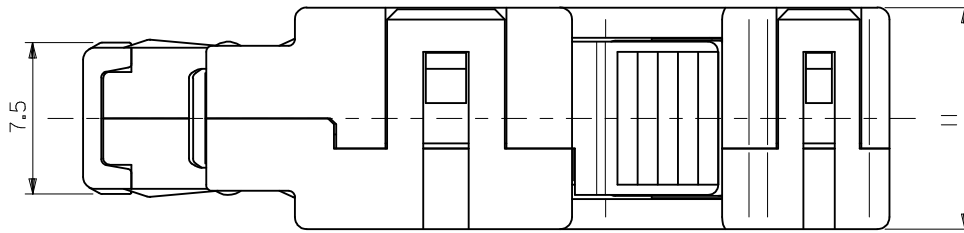
SHELL BODY

54599-1016
オーダー番号 ORDER No.

CONNECTOR SERIES No. 54599-101*

| | | | | | | | | | |
|--|-------------|--|-------|----------------------------|--------------------|--|------------------------|------------------------|--|
| REVISED EC NO.: J2010-0554 DRWN:MHAYASHI 2009/09/18 CHKD:MHAYASHI 2009/09/18 APPR:NUKITA 2009/09/18 REV A | DESCRIPTION | GENERAL TOLERANCES (UNLESS SPECIFIED) | | DIMENSION STYLE MM ONLY | | SCALE --- | DESIGN UNITS METRIC | THIRD ANGLE PROJECTION | |
| | | 10 UNDER | ±0.2 | DRAWN BY Y. AOYAGI | DATE 2009/01/30 | TITLE 2.0 I/O CONN. HAND/S TYPE PLUG SET BLACK | | | |
| | | 10 OVER 30 UNDER | ±0.25 | CHECKED BY T. HARUYAMA | DATE 2009/01/30 | MOLEX INCORPORATED | | | |
| | | 30 OVER | ±0.3 | APPROVED BY N. UKITA | DATE 2009/01/30 | DOCUMENT NO. SD-54599-001 | | | |
| ANGULAR ±3 ° | | DRAFT WHERE APPLICABLE MUST REMAIN WITHIN DIMENSIONS | | MATERIAL NO. SEE TABLE | | SHEET NO. 1 OF 3 | | | |
| | | | | SIZE A3 | | THIS DRAWING CONTAINS INFORMATION THAT IS PROPRIETARY TO MOLEX INCORPORATED AND SHOULD NOT BE USED WITHOUT WRITTEN PERMISSION | | | |

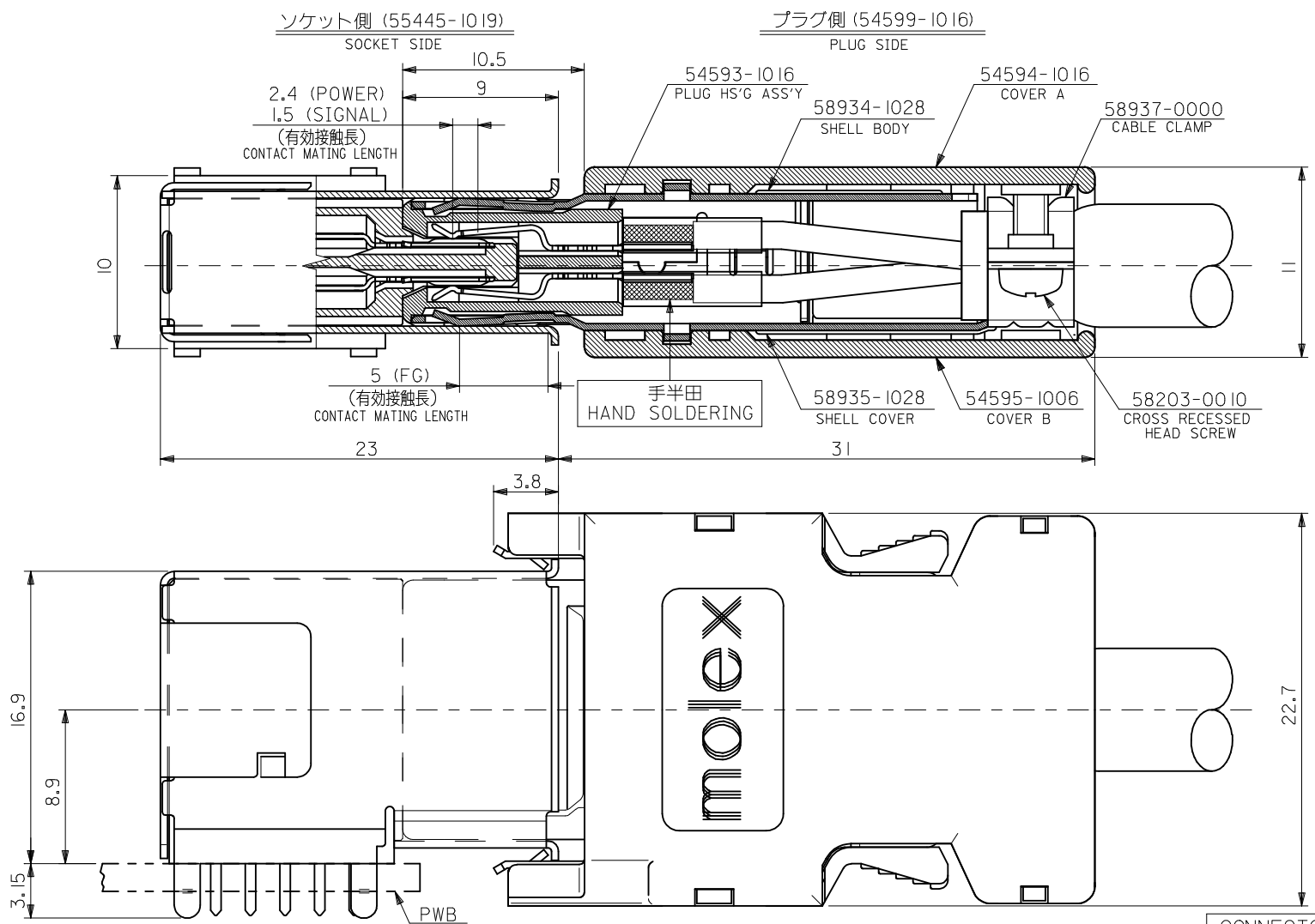
10 9 8 7 6 5 4 3 2 1



CONNECTOR SERIES No. 54599-101*

| | | | | | | | |
|--|--|------------------------|-----------------------------------|--------------------|---|------------------------------|---------------------|
| REVISED EC NO: J2010-0554 DRWN: HAYASHI 2009/09/18 CHKD: HAYASHI 2009/09/18 APPR: NUKITA 2009/09/18 | GENERAL TOLERANCES (UNLESS SPECIFIED) | | DIMENSION STYLE MM ONLY | SCALE --- | DESIGN UNITS METRIC | THIRD ANGLE PROJECTION | |
| | 10 UNDER ±0.2 | 10 OVER 30 UNDER ±0.25 | DRAWN BY Y. AOYAGI | DATE 2009/01/30 | TITLE 2.0 I/O CONN. HAND/S TYPE PLUG SET BLACK | | |
| | 30 OVER ±0.3 | ANGULAR ±3 ° | CHECKED BY T. HARUYAMA | DATE 2009/01/30 | MOLEX INCORPORATED | | |
| | DRAFT WHERE APPLICABLE MUST REMAIN WITHIN DIMENSIONS | | APPROVED BY N. UKITA | DATE 2009/01/30 | MATERIAL NO. SEE SHEET 1 | DOCUMENT NO. SD-54599-001 | SHEET NO. 2 OF 3 |

10 9 8 7 6 5 4 3 2 1



CONNECTOR SERIES No. 54599-101*

| | | | | | | | |
|---|---------------------------------------|-------|--|--------------------|---|------------------------------|---------------------------|
| REVISED EC NO: J2010-0554 DRWN:MHAYASHI 2009/09/18 CHKD:MHAYASHI 2009/09/18 APPR:NUKITA 2009/09/18 A | GENERAL TOLERANCES (UNLESS SPECIFIED) | | DIMENSION STYLE MM ONLY | | SCALE --- | DESIGN UNITS METRIC | THIRD ANGLE PROJECTION |
| | 10 UNDER | ±0.2 | DRAWN BY Y. AOYAGI | DATE 2009/01/30 | TITLE 2.0 I/O CONN. HAND/S TYPE PLUG SET BLACK | | |
| | 10 OVER 30 UNDER | ±0.25 | CHECKED BY T. HARUYAMA | DATE 2009/01/30 | MOLEX INCORPORATED | | |
| | 30 OVER | ±0.3 | APPROVED BY N. UKITA | DATE 2009/01/30 | MATERIAL NO. SEE SHEET 1 | DOCUMENT NO. SD-54599-001 | SHEET NO. 3 OF 3 |
| | ANGULAR ±3 ° | | THIS DRAWING CONTAINS INFORMATION THAT IS PROPRIETARY TO MOLEX INCORPORATED AND SHOULD NOT BE USED WITHOUT WRITTEN PERMISSION | | | | |
| DRAFT WHERE APPLICABLE MUST REMAIN WITHIN DIMENSIONS | | | | | | | |