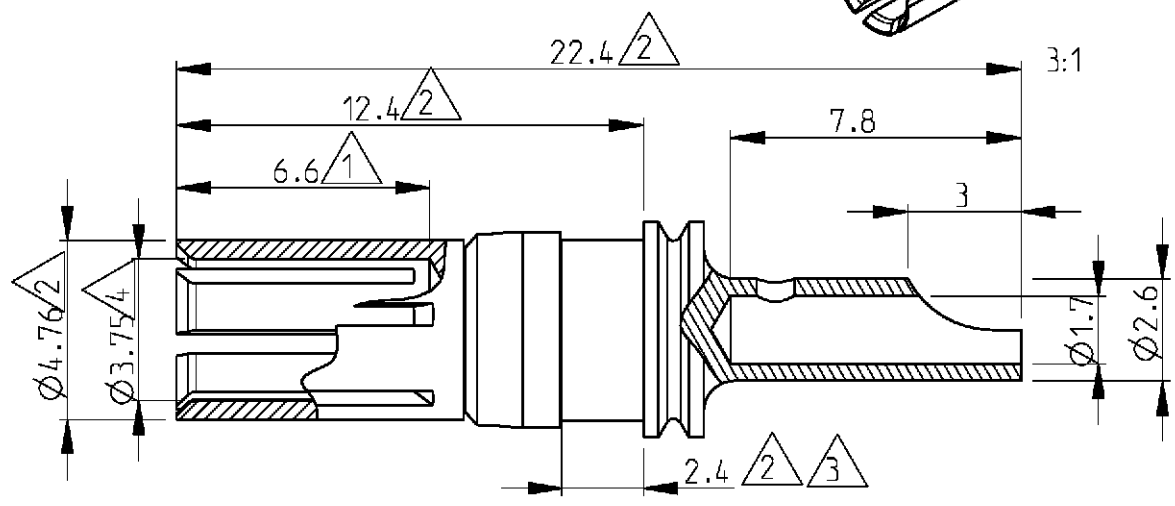
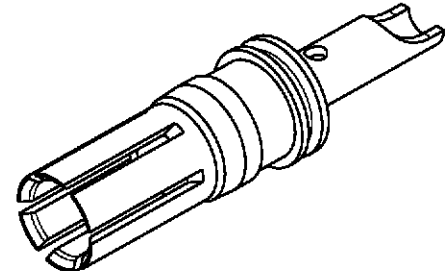


| LOC | DIST | REVISIONS | | | | |
|-----|------|-------------|--------------|-----------|------|----|
| P | LTR | DESCRIPTION | DATE | DWN | APVD | |
| GW | - | A1 | SR10-0170-01 | 26APR2001 | BL | KM |
| | | | | | | |
| | | | | | | |



5) Application : DIN 41612 type M, female connectors.

- △4 Initial dimension.
- △3 Measured with spring moved towards the mating face.
- △2 Max. dimension.
- △1 Min dimension

Cross reference table

| Old part number | Tyco part number | Current | Material | Plating |
|-------------------|------------------|---------|----------|-------------------------------|
| C 42334-A347-A104 | 2-1393589-1 | 10 A | CuBe | 1 µm Au or Pd in contact area |



2000

RELEASED FOR PUBLICATION

THIS DRAWING IS UNPUBLISHED.

BY TYCO ELECTRONICS CORPORATION. ALL RIGHTS RESERVED.
COPYRIGHT 2000

| | | | | | | |
|--|----------------------|-----------|--|-----------|---------------|---------------|
| DIMENSIONS: mm | DWN B. Lenvain | 19APR2001 | MATERIAL | - | FINISH | - |
| | CHK K. Mattheeuws | 19APR2001 | Tyco Electronics Oostkamp - Belgium | | | |
| TOLERANCES UNLESS OTHERWISE SPECIFIED: | APVD R. Leeman | 19APR2001 | | | | |
| 0 PLC ± | PRODUCT SPEC | - | NAME High current socket with wire connection | | | |
| 1 PLC ± | APPLICATION SPEC | - | SIZE | CAGE CODE | DRAWING NO | RESTRICTED TO |
| 2 PLC ± | WEIGHT | - | A 4 | 00779 | ©=2-1393589-1 | - |
| 3 PLC ± | | | SCALE | | SHEET | OF |
| 4 PLC ± | | | 5/1 | | 1 | 1 |
| ANGLES ± | | | CUSTOMER DRAWING | | REV A1 | |