

SN54LS68, SN54LS69, SN74LS68, SN74LS69 DUAL 4-BIT DECADE OR BINARY COUNTERS

DECEMBER 1983 — REVISED MARCH 1988

- **Heavy Duty Outputs I_{OL} Rated at 8mA/16 mA**
- **Counter One of Either 'LS68 or 'LS69 Has Individual Clicks for the A Flip-Flop**
- **Direct Clear for Each 4-Bit Counter**
- **Guaranteed Maximum Count Frequency is 50 MHz for 'LS69 and 40 MHz for 'LS68**

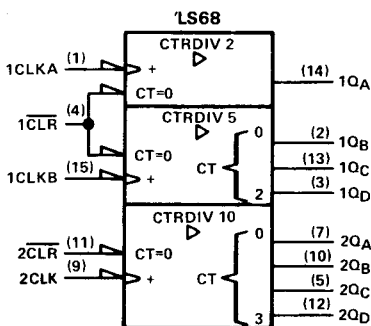
description

Each of the 'LS68 and 'LS69 circuits contain two four-bit counters. The 'LS68 is a dual decade counter, while the 'LS69 is a dual binary counter. Counter number one of both the 'LS68 and 'LS69 has two clock pins. Clock 1 is for the A flip-flop, while clock 2 is for the B, C, D flip-flops. Counter one of the 'LS68 can perform bi-quinary counting. All 1Q_A outputs are rated with sufficient I_{OL} to drive clock 2 while maintaining a full fan-out.

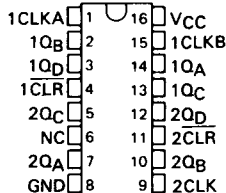
All clocks trigger on the high-to-low transition of the clock pulse. All counters have direct overriding clear pins which, when low, reset Q_A, Q_B, Q_C, and Q_D low regardless of the state of the clock.

The SN54LS68 and SN54LS69 circuits are characterized for operation over the full military temperature range of -55°C to 125°C. The SN74LS68 and SN74LS69 circuits are characterized for operation from 0°C to 70°C

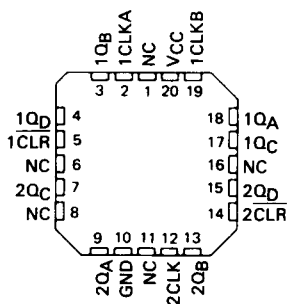
logic symbols†



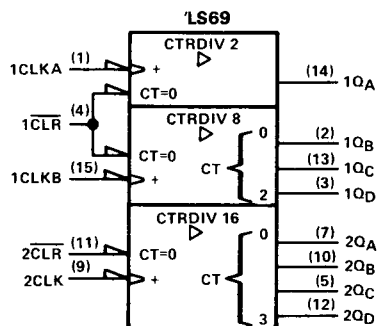
SN54LS68, SN54LS69 . . . J PACKAGE
SN74LS68, SN74LS69 . . . D OR N PACKAGE
(TOP VIEW)



SN54LS68, SN54LS69 . . . FK PACKAGE
(TOP VIEW)



NC - No internal connection



† These symbols are in accordance with ANSI/IEEE Std 91-1984 and IEC Publication 617-12. Pin numbers shown are for D, J, and N packages.

2

TTL Devices

PRODUCTION DATA documents contain information current as of publication date. Products conform to specifications per the terms of Texas Instruments standard warranty. Production processing does not necessarily include testing of all parameters.



POST OFFICE BOX 655012 • DALLAS, TEXAS 75265

SN54LS68, SN54LS69, SN74LS68, SN74LS69 DUAL 4-BIT DECADE OR BINARY COUNTERS

count sequence tables

'LS68 DECADE COUNTER BCD COUNT SEQUENCE

(See Note 1)

Applies to Counters 1 & 2

COUNT	OUTPUT			
	Q _D	Q _C	Q _B	Q _A
0	L	L	L	L
1	L	L	L	H
2	L	L	H	L
3	L	L	H	H
4	L	H	L	L
5	L	H	L	H
6	L	H	H	L
7	L	H	H	H
8	H	L	L	L
9	H	L	L	H

'LS68 DECADE COUNTER BI-QUINARY SEQUENCE

(See Note 2)

Applies to Counter 1 only

COUNT	OUTPUT			
	Q _A	Q _D	Q _C	Q _B
0	L	L	L	L
1	L	L	L	H
2	L	L	H	L
3	L	L	H	H
4	L	H	L	L
5	H	L	L	L
6	H	L	L	H
7	H	L	H	L
8	H	L	H	H
9	H	H	L	L

'LS69 BINARY COUNTER BCD COUNT SEQUENCE

(See Note 3)

Applies to Counters 1 & 2

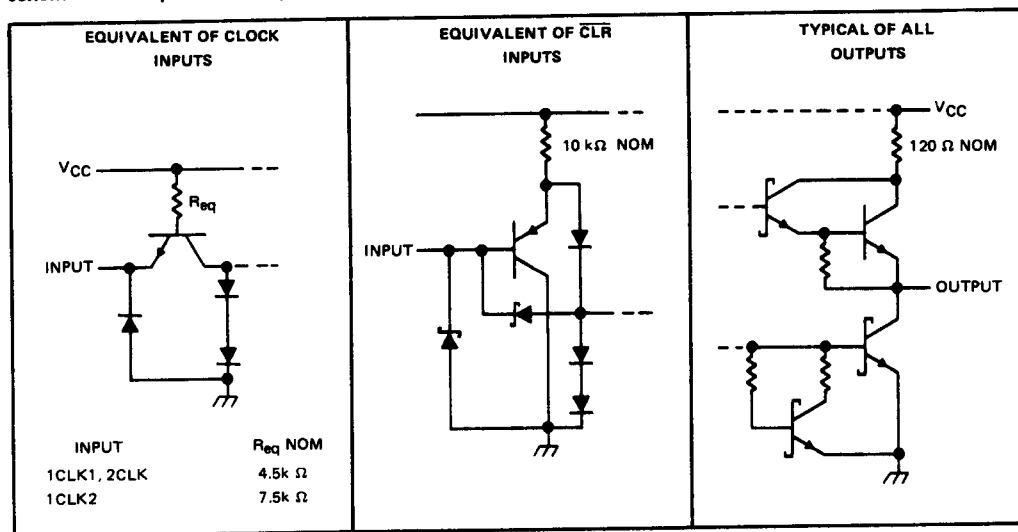
COUNT	OUTPUT			
	Q _D	Q _C	Q _B	Q _A
0	L	L	L	L
1	L	L	L	H
2	L	L	H	L
3	L	L	H	H
4	L	H	L	L
5	L	H	L	H
6	L	H	H	L
7	L	H	H	H
8	H	L	L	L
9	H	L	L	H
10	H	L	H	L
11	H	L	H	H
12	H	H	L	L
13	H	H	L	H
14	H	H	H	L
15	H	H	H	H

- NOTES: 1. Output 1Q_A is connected to 1CLK2 for BCD count.
 2. Output 1Q_A is connected to 1CLK1 for bi-quinary count.
 3. Output 1Q_A is connected to 1CLK2 for binary count.

2

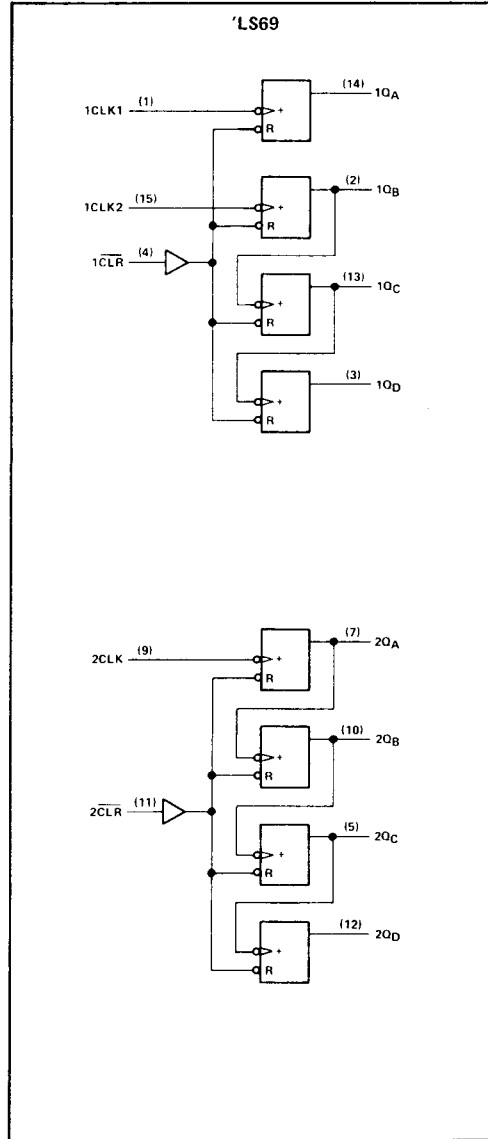
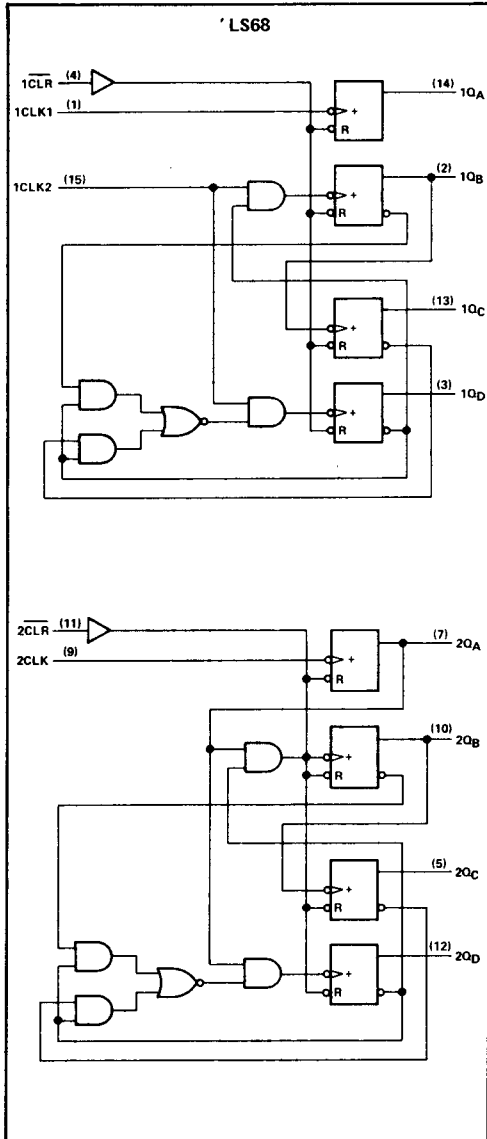
TTL Devices

schematics of inputs and outputs



SN54LS68, SN54LS69, SN74LS68, SN74LS69
DUAL 4-BIT DECADE OR BINARY COUNTERS

logic diagrams (positive logic)



2

TTL Devices

Pin numbers shown are for D, J, and N packages.

SN54LS68, SN54LS69, SN74LS68, SN74LS69 DUAL 4-BIT DECADE OR BINARY COUNTERS

electrical characteristics over recommended operating free-air temperature range (unless otherwise noted)

PARAMETER	TEST CONDITIONS†	SN54LS*		SN74LS*		UNIT
		MIN	TYP‡	MAX	MIN	
V _{IK}	V _{CC} = MIN, I _I = -18 mA	-1.5		-1.5		V
V _{OH}	V _{CC} = MIN, V _{IH} = 2 V, V _{IL} = MAX, I _{OH} = -1 mA	2.5	3.4	2.7	3.4	V
V _{OL}	V _{CC} = MIN, V _{IH} = 2 V, V _{IL} = MAX, I _{OL} = 8 mA	0.25	0.4	0.25	0.4	V
	I _{OL} = 16 mA			0.35	0.5	
I _I	CLK, V _{CC} = MAX, V _I = 5.5 V	0.1		0.1		mA
	CLR, V _{CC} = MAX, V _I = 7 V	0.1		0.1		
I _{IH}	V _{CC} = MAX, V _I = 2.7 V	40		40		μA
		20		20		
I _{IL}	V _{CC} = MAX, V _I = 0.4 V	-2		-2		mA
		-1.2		-1.2		
		-0.2		-0.2		
I _{OS} §	V _{CC} = MAX, V _O = 0 V	-20	-100	-20	-100	mA
I _{CC}	V _{CC} = MAX, see Note 5	36	54	36	54	mA

† For conditions shown as MIN or MAX, use the appropriate value specified under recommended operating conditions.
‡ All typical values are at V_{CC} = 5 V, T_A = 25°C.
§ Not more than one output should be shorted at a time, and duration of the short-circuit should not exceed one second.
NOTE 5: I_{CC} is measured with all inputs grounded and all outputs open.

2

TTL Devices

switching characteristics, V_{CC} = 5 V, T_A = 25°C (see note 6)

PARAMETER	FROM (INPUT)	TO (OUTPUT)	TEST CONDITIONS	'LS68			'LS69			UNIT
				MIN	TYP	MAX	MIN	TYP	MAX	
f _{max}	1CLK1	1Q _A	R _L = 1 kΩ, C _L = 30 pF	50	70		50	70		MHz
f _{max}		1Q _B , 1Q _C , 1Q _D		20	30		25	35		MHz
f _{max}		2Q _A , 2Q _B , 2Q _C , 2Q _D		40	60		50	70		MHz
t _{PLH}	1CLK1	1Q _A		7	11		7	11		ns
t _{PHL}				14	21		14	21		
t _{PLH}	1CLK2	1Q _B		8	12		7	11		ns
t _{PHL}				12	18		14	21		
t _{PLH}		1Q _C		15	23		16	24		
t _{PHL}				21	32		21	32		
t _{PLH}		1Q _D		8	12		25	38		
t _{PHL}				13	20		30	45		
t _{PLH}	2CLK	2Q _A		7	11		7	11		ns
t _{PHL}				14	21		14	21		
t _{PLH}		2Q _B		16	24		14	21		
t _{PHL}				19	29		19	29		
t _{PLH}		2Q _C		23	35		23	35		
t _{PHL}				27	40		27	40		
t _{PLH}		2Q _D		16	24		32	48		
t _{PHL}				19	29		36	54		
t _{PHL}	Any CLR	Any Q		20	30		20	30		ns

NOTE 6: Load circuits and voltage waveforms are shown in Section 1.