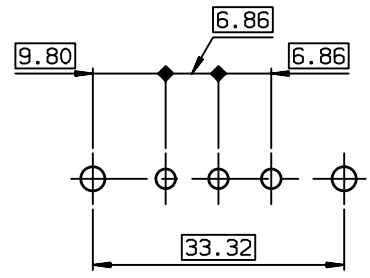
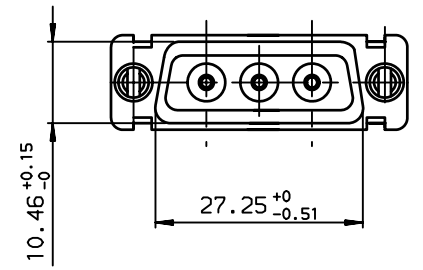
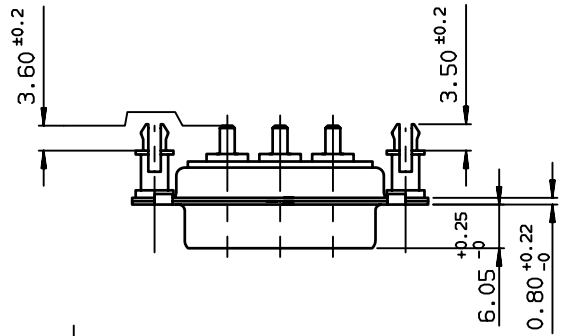


LAYOUT DIMENSIONS (after plating)
CONNECTOR SIDE VIEW



TIN-LEAD PART NUMBER

DA03W3S300G30	UNC 4.40
DAL3W3S300G30	M3
PART NUMBER	Threaded A



GENERAL CHARACTERISTICS
SEE DRAWING C01-8639-0001

European Views

rev	ecn no	dr	date
C	-	BAR	2003/10/29
D	LS05-001	MPE	2005/03/05
E	LS06-0095	LGO	2006/07/21
F	LS07-0061	MPE	2007/03/01
-	-	-	-
-	-	-	-
-	-	-	-

www.fciconnect.com		surface ISO 1302 ✓	tolerance std ISO 406 ISO 1101	projection A3	mm
TOLERANCES UNLESS OTHERWISE SPECIFIED					
Dr	JARRY	1995/04/27	ANGULAR	0.X	±0.1
Eng	PESSON	1995/04/27	LINEAR	0.XX	±0.1
Chr	LEGARE	1995/04/27	0.XX' ±2'	0.XXX	±0.1
Appr	LEGARE	1995/04/27	Product family	D-SUB	Spec ref -
title SOCKET CONNECTORS SUB D		dwg no C01-8639-0578		Rev. F	
SCREWS + HARPOONS		CUSTOMER		sheet 1 of 1	