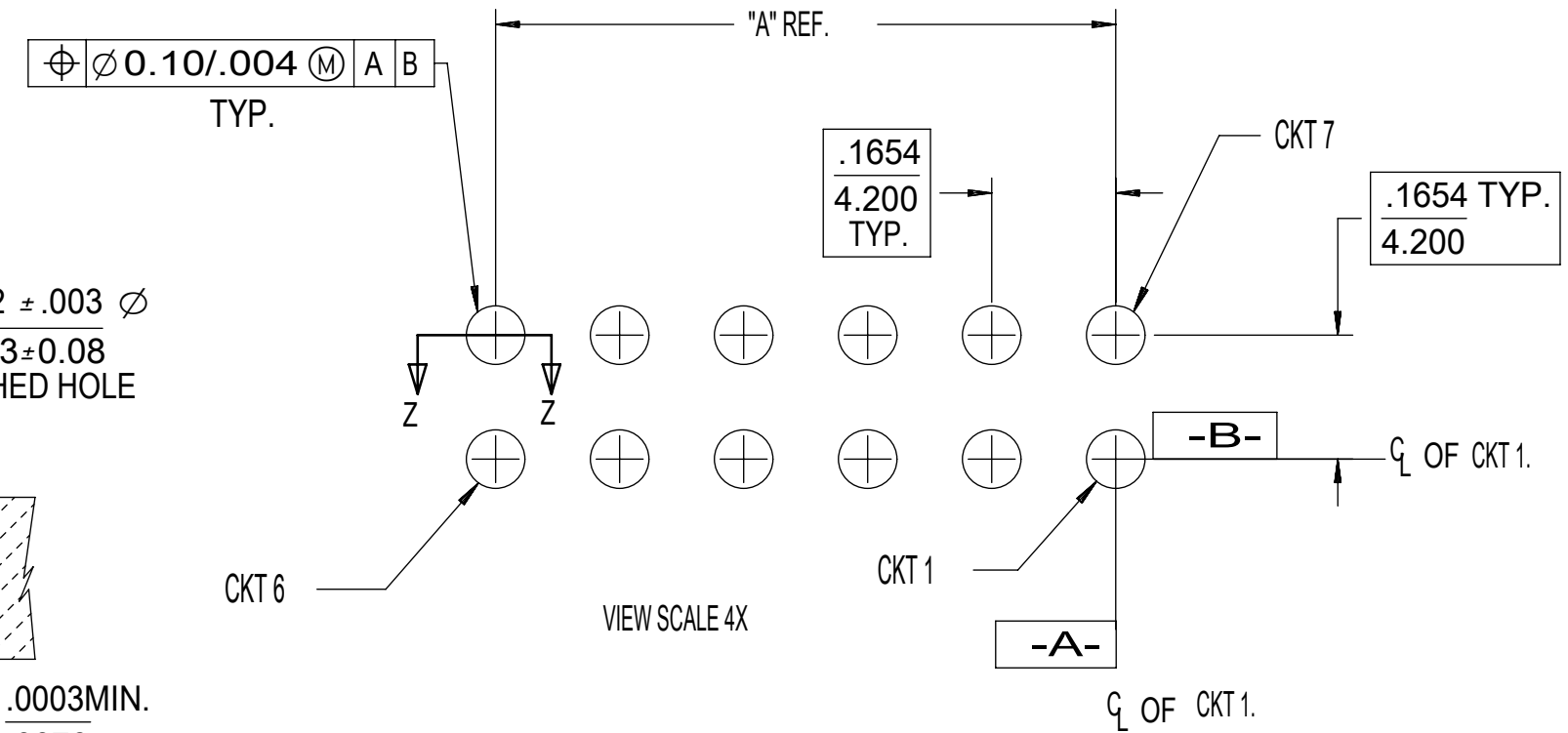
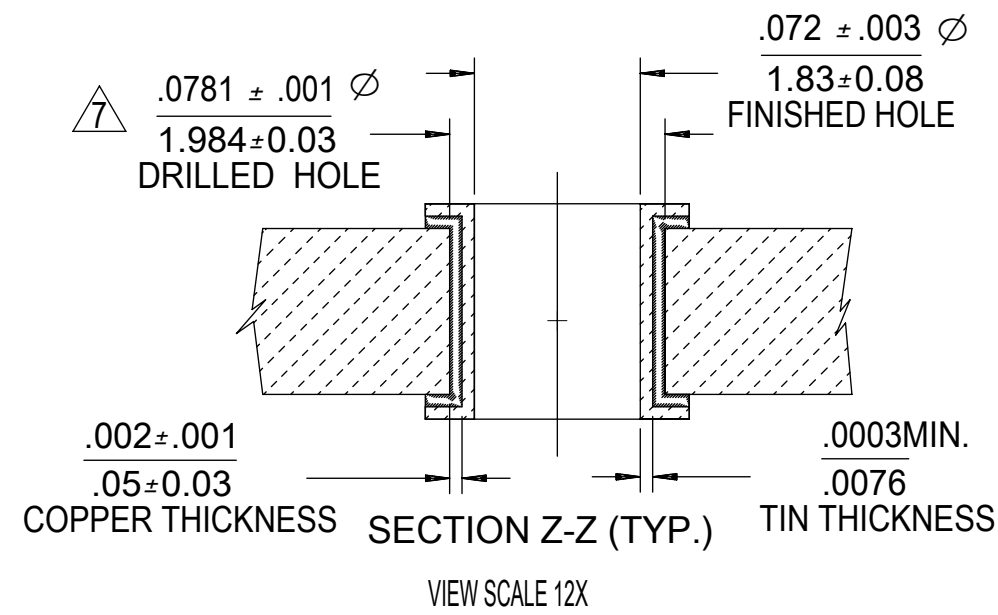
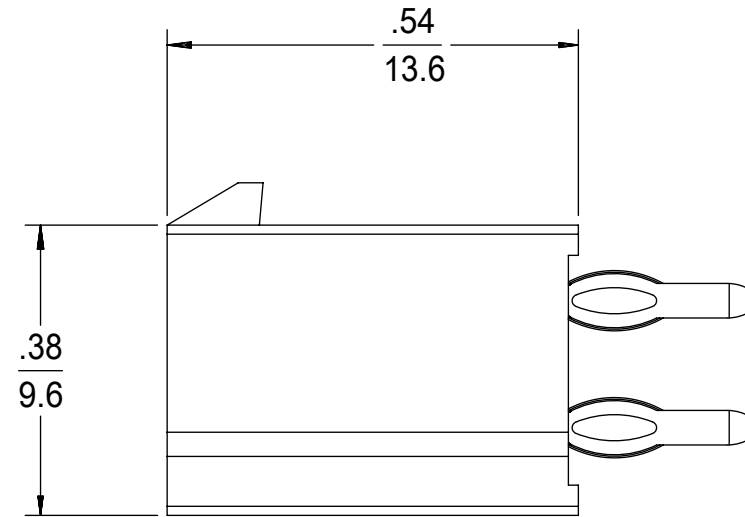
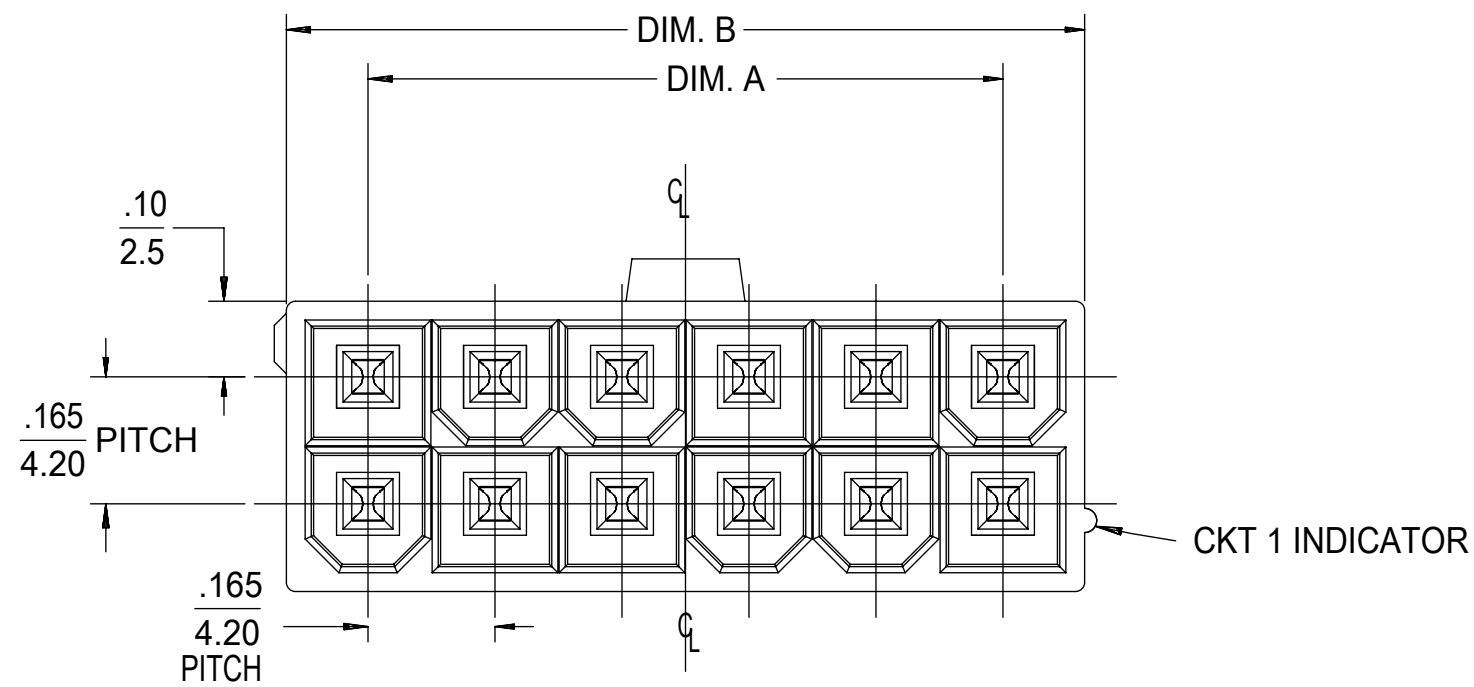


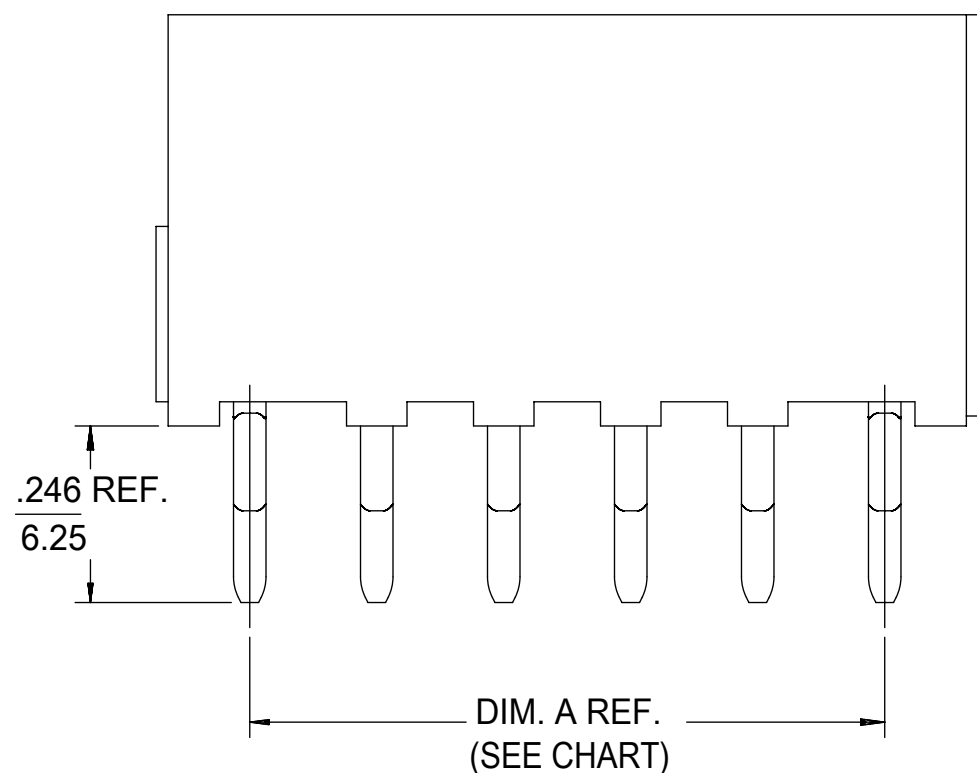
ISOMETRIC VIEW  
(12 CKT - SHOWN)

| CIRCUIT SIZE | DIM. A      | DIM. B    |
|--------------|-------------|-----------|
| 04           | 0.165/4.20  | 0.38/9.6  |
| 06           | 0.331/8.40  | 0.54/13.8 |
| 08           | 0.496/12.60 | 0.71/18.0 |
| 10           | 0.661/16.80 | 0.87/22.2 |
| 12           | 0.827/21.00 | 1.04/26.4 |
| 14           | 0.992/25.20 | 1.21/30.6 |
| 16           | 1.160/29.40 | 1.37/34.8 |
| 18           | 1.323/33.60 | 1.54/39.0 |
| 20           | 1.488/37.80 | 1.70/43.2 |
| 22           | 1.654/42.00 | 1.87/47.4 |
| 24           | 1.819/46.20 | 2.03/51.6 |

- NOTES:
- MATERIALS:  
HOUSING - LIQUID CRYSTAL POLYMER (LCP), COLOR: SEE CHART  
TERMINAL: PHOSPHOR BRONZE
  - TERMINAL PLATING:  
BRIGHT TIN=.000100/0.00254 MIN. BRIGHT TIN OVER .000050/0.00127 MIN. NICKEL OVERALL  
MATTE TIN=.000100/0.00254 MIN. MATTE TIN OVER .000050/0.00127 MIN. NICKEL OVERALL
  - PRODUCT SPECIFICATION: PS-43879-001
  - PACKAGING SPECIFICATION: PK-5569-003
  - THIS PART MATES WITH RECEPTACLE SERIES NUMBERS 5557.
  - THIS HEADER REQUIRES A MOLEX INSERTION TOOL (62200-9400) TO PROPERLY INSTALL IT TO THE PCB.
  - DRILLED HOLE DIAMETER IS EQUIVALENT TO 5/64" STANDARD DRILL BIT.
  - CONNECTOR ASSEMBLIES ARE NOT DESIGNED TO BE MATED AND UNMATED WHILE CIRCUITS ARE LIVE.
  - PART IS NOT DESIGNED FOR CURRENT SHARING.
  - PART CONFORMS TO CLASS "B" REQUIREMENTS OF COSMETIC SPECIFICATION PS-45499-002.



PCB LAYOUT: COMPONENT SIDE .088  
RECOMMENDED MINIMUM PCB THICKNESS: 2.24



| QUALITY SYMBOLS |                    | THIS DRAWING CONTAINS INFORMATION THAT IS PROPRIETARY TO MOLEX ELECTRONIC TECHNOLOGIES, LLC AND SHOULD NOT BE USED WITHOUT WRITTEN PERMISSION |                |                 |                        |
|-----------------|--------------------|---|----------------|-----------------|------------------------|
| ▽ = 0           | ADD MINIMUM TO PCB | GENERAL TOLERANCES (UNLESS SPECIFIED)   |                | DIMENSION UNITS | SCALE                  |
| ▽ = 0           | EC NO: 117586      | MM  | INCH           | IN/MM           | 4:1                    |
| ▽ = 0           | DRWN: BAPPELDORN   | 4 PLACES ±  | ±              | DRWN BY         | DATE                   |
| ▽ = 0           | CHKD: JBELL        | 3 PLACES ±  | ± 0.01         | JJAGUILAR       | 2010/09/17             |
| ▽ = 0           | REV: APPR: FSMITH  | 2 PLACES ±  | ± 0.25 ± 0.015 | CHK'D BY        | DATE                   |
| ▽ = 0           |                    | 1 PLACES ±  | ± 0.38 ±       | JBELL           | 2010/09/17             |
| ▽ = 0           |                    | 0 PLACES ±  | ±              | APPR BY         | DATE                   |
| ▽ = 0           |                    |   |                | FSMITH          | 2010/10/04             |
| ▽ = 0           |                    | ANGULAR TOL =   |                | DRAWING SIZE    | THIRD ANGLE PROJECTION |
| ▽ = 0           |                    |   |                | C               |                        |
| ▽ = 0           |                    | DRAFT WHERE APPLICABLE MUST REMAIN WITHIN DIMENSIONS  |                |                 |                        |
| RELEASE STATUS  |                    | RELEASE DATE  |                | SERIES          |                        |
| 12              |                    | 11  |                | 46611           |                        |
| 11              |                    | 10  |                | MATERIAL NUMBER |                        |
| 10              |                    | 9   |                | SEE CHART       |                        |
| 9               |                    | 8   |                | CUSTOMER        |                        |
| 8               |                    | 7   |                | GENERAL MARKET  |                        |
| 7               |                    | 6   |                | DOCUMENT NUMBER |                        |
| 6               |                    | 5   |                | SD-46611-0000   |                        |
| 5               |                    | 4   |                | DOC TYPE        |                        |
| 4               |                    | 3   |                | PSD             |                        |
| 3               |                    | 2   |                | DOC PART        |                        |
| 2               |                    | 1   |                | 000             |                        |
| 1               |                    | 1   |                | SHEET NUMBER    |                        |
|                 |                    | 1   |                | 1 OF 2          |                        |

**molex**

MINI-FIT JR. CPI  
VERT HEADER ASSY IN LCP, W/O PCB PEGS

PRODUCT CUSTOMER DRAWING

| CIRCUIT SIZE | BRIGHT TIN PLATED |  |
|--------------|-------------------|--|
|              | COLOR= BLACK      |  |
| 04           | 46611-1004        |  |
| 06           | 46611-1006        |  |
| 08           | 46611-1008        |  |
| 10           | 46611-1010        |  |
| 12           | 46611-1012        |  |
| * 14         | 46611-1014        |  |
| * 16         | 46611-1016        |  |
| * 18         | 46611-1018        |  |
| * 20         | 46611-1020        |  |
| * 22         | 46611-1022        |  |
| 24           | 46611-1024        |  |

| CIRCUIT SIZE | BRIGHT TIN PLATED |  |
|--------------|-------------------|--|
|              | COLOR= NATURAL    |  |
| * 04         | 46611-1104        |  |
| * 06         | 46611-1106        |  |
| * 08         | 46611-1108        |  |
| * 10         | 46611-1110        |  |
| * 12         | 46611-1112        |  |
| * 14         | 46611-1114        |  |
| * 16         | 46611-1116        |  |
| * 18         | 46611-1118        |  |
| * 20         | 46611-1120        |  |
| * 22         | 46611-1122        |  |
| * 24         | 46611-1124        |  |

\* DESIGNATES PART NOT RELEASED.  
CONTACT FACTORY FOR AVAILABILITY.

| CIRCUIT SIZE | MATTE TIN PLATED |  |
|--------------|------------------|--|
|              | COLOR= BLACK     |  |
| 04           | 46611-3004       |  |
| 06           | 46611-3006       |  |
| 08           | 46611-3008       |  |
| 10           | 46611-3010       |  |
| 12           | 46611-3012       |  |
| * 14         | 46611-3014       |  |
| * 16         | 46611-3016       |  |
| * 18         | 46611-3018       |  |
| * 20         | 46611-3020       |  |
| * 22         | 46611-3022       |  |
| 24           | 46611-3024       |  |

\* DESIGNATES PART NOT RELEASED.  
CONTACT FACTORY FOR AVAILABILITY.

|                 |     |   |  |  |        |         |                 |  |                        |  |  |  |  |  |
|-----------------|-----|---|--|--|--------|---------|-----------------|--|------------------------|--|--|--|--|--|
| QUALITY SYMBOLS |     | THIS DRAWING CONTAINS INFORMATION THAT IS PROPRIETARY TO MOLEX ELECTRONIC TECHNOLOGIES, LLC AND SHOULD NOT BE USED WITHOUT WRITTEN PERMISSION |  |  |        |         |                 |  |                        |  |  |  |  |  |
|                 | = 0 | ADD MINIMUM TO PCB<br>EC NO: 117586<br>DRWN: BAPPELDORN<br>CHKD: JBELL<br>REV   APPR: FSMITH<br>2017/05/31<br>2017/06/15<br>2017/06/29        | GENERAL TOLERANCES (UNLESS SPECIFIED)                |  |        |         | DIMENSION UNITS |  | SCALE                  |  |  |  |  |  |
|                 | = 0 |   | MM   |  | INCH   |         | IN/MM           |  | 4:1                    |  |  |  |  |  |
|                 | = 0 |   | 4 PLACES   |  | ±      | ±       | DRWN BY         |  | DATE                   |  | MINI-FIT JR. CPI<br>VERT HEADER ASSY IN LCP, W/O PCB PEGS                      |  |  |  |
|                 | = 0 |   | 3 PLACES   |  | ±      | ± 0.01  | JJAGUILAR       |  | 2010/09/17             |  |  |  |  |  |
|                 | = 0 |   | 2 PLACES   |  | ± 0.25 | ± 0.015 | CHK'D BY        |  | DATE                   |  | PRODUCT CUSTOMER DRAWING   |  |  |  |
|                 | = 0 |   | 1 PLACES   |  | ± 0.38 | ±       | JBELL           |  | 2010/09/17             |  |  |  |  |  |
|                 | = 0 |   | 0 PLACES   |  | ±      | ±       | APPR BY         |  | DATE                   |  | SERIES MATERIAL NUMBER CUSTOMER<br>46611 SEE CHART GENERAL MARKET              |  |  |  |
|                 | = 0 |   | ANGULAR TOL  |  | -      |         | FSMITH          |  | 2010/10/04             |  |  |  |  |  |
|                 | = 0 |   | DRAFT WHERE APPLICABLE MUST REMAIN WITHIN DIMENSIONS |  |        |         | DRAWING SIZE    |  | THIRD ANGLE PROJECTION |  | DOCUMENT NUMBER DOC TYPE DOC PART SHEET NUMBER<br>SD-46611-0000 PSD 000 2 OF 2 |  |  |  |
|                 | = 0 |   | C2   |  | C      |         |                 |  |                        |  |  |  |  |  |