



Connecting piece M20/M20 for connection of 2 enclosures, Metal, with hexagon nut

product brand name	SIRIUS ACT
product designation	Connection piece
design of the product	M20/M20 for connecting 2 enclosures
product type designation	3SU1
General technical data	
protection class IP	IP66, IP67, IP69(IP69K)
Installation/ mounting/ dimensions	
mounting height	3.6 mm
Accessories	
material of accessory	Metal
color of accessory	Silver
Certificates/ approvals	
General Product Approval	Declaration of Conformity



[Miscellaneous](#)



[Miscellaneous](#)

Declaration of Conformity	Test Certificates	Marine / Shipping
---------------------------	-------------------	-------------------



[Type Test Certificates/Test Report](#)



Marine / Shipping	other
-------------------	-------



[Confirmation](#)

Further information

Information- and Downloadcenter (Catalogs, Brochures,...)

<https://www.siemens.com/ic10>

Industry Mall (Online ordering system)

<https://mall.industry.siemens.com/mall/en/en/Catalog/product?mfb=3SU1950-0HJ10-0AA0>

Cax online generator

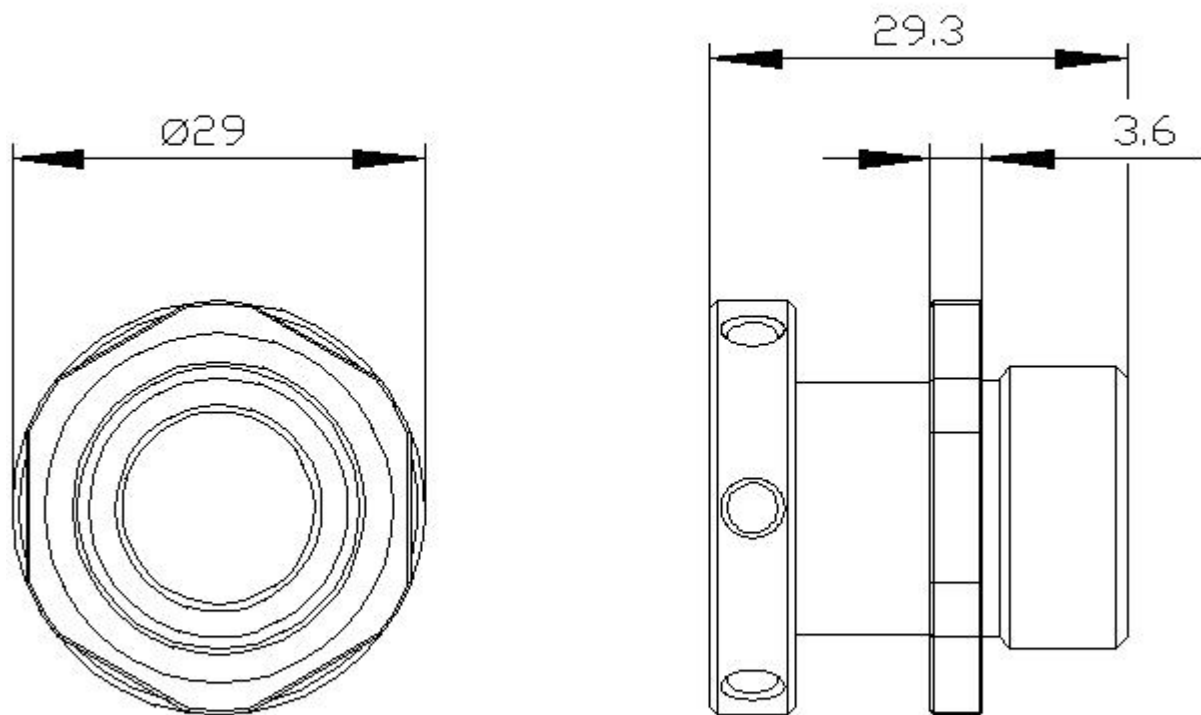
<http://support.automation.siemens.com/WW/CAXorder/default.aspx?lang=en&mfb=3SU1950-0HJ10-0AA0>

Service&Support (Manuals, Certificates, Characteristics, FAQs,...)

<https://support.industry.siemens.com/cs/ww/en/ps/3SU1950-0HJ10-0AA0>

Image database (product images, 2D dimension drawings, 3D models, device circuit diagrams, EPLAN macros, ...)

http://www.automation.siemens.com/bilddb/cax_de.aspx?mfb=3SU1950-0HJ10-0AA0&lang=en



last modified:

11/20/2020 