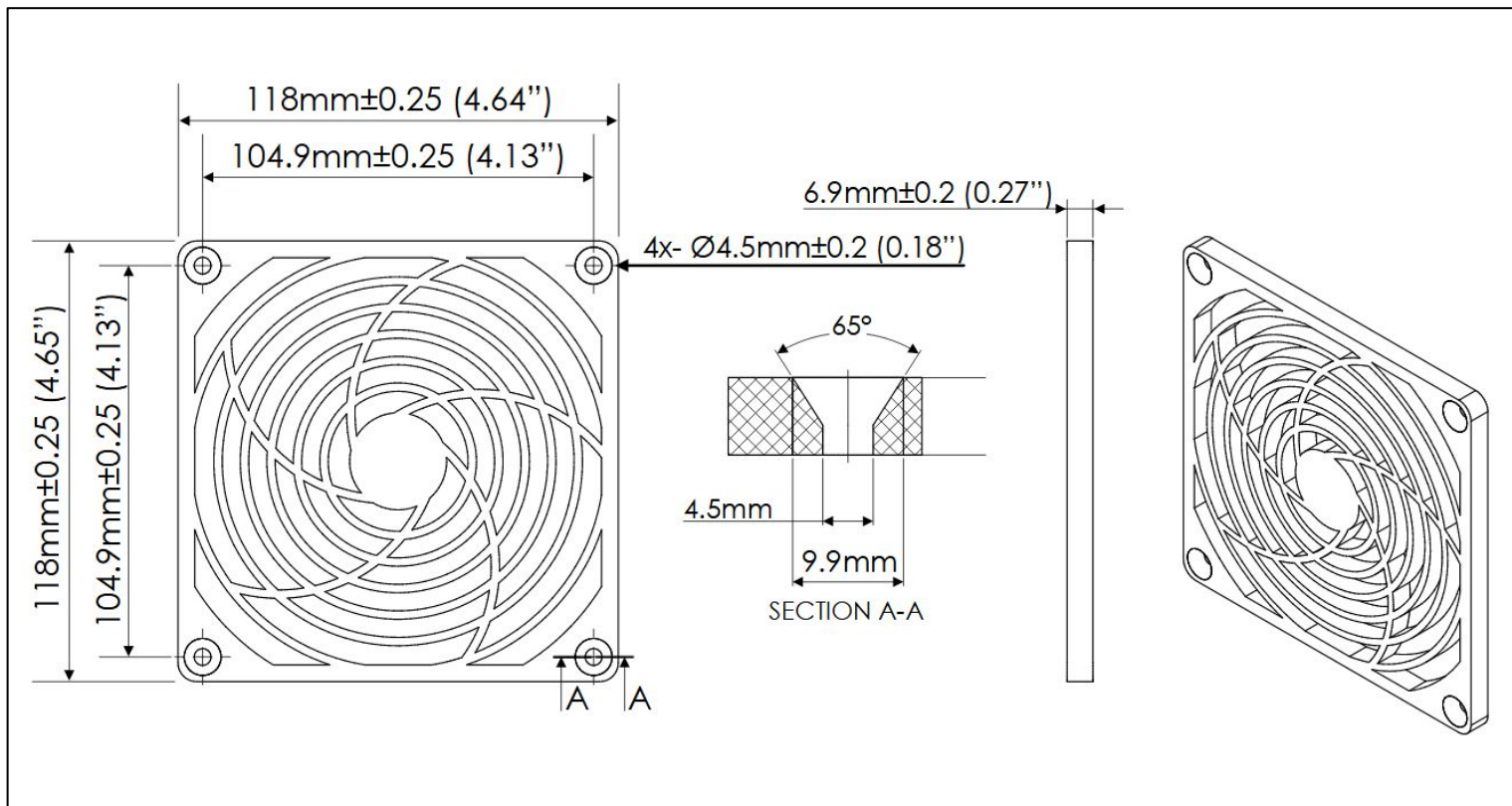




G120P Plastic Fan Guard

Plastic Fan Guard
Fits 120mm Fans



Description	Plastic Fan Guards make it easy to protect personnel from injury while offering minimal airflow obstruction and a stylish design.
Guard Material	Plastic - Reinforced ABS Polyac PA-766, UL Approved, Rating UL94V-0
Mounting	Ø4.5mm mounting holes, 65° Countersink.

Part Number	Description
G120P	120mm Fan Guard
G120P/PK	10-Pack G120P Fan Guards, Boxed