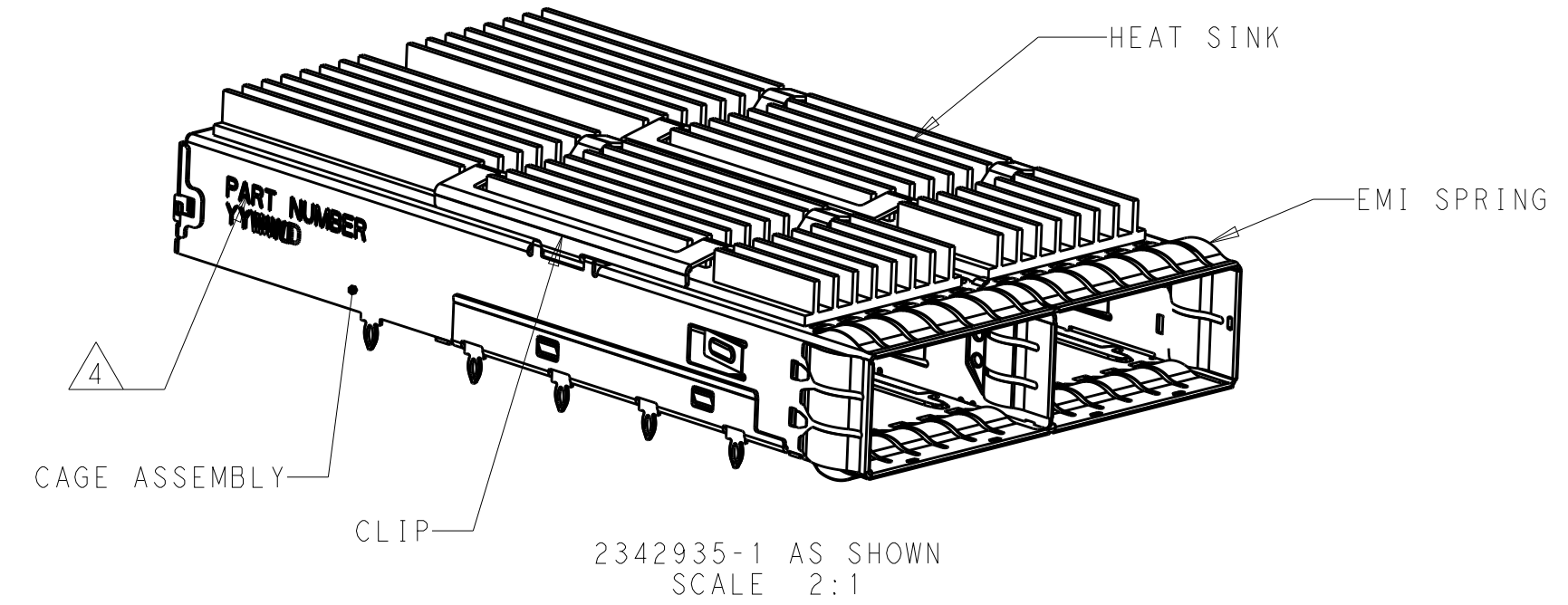


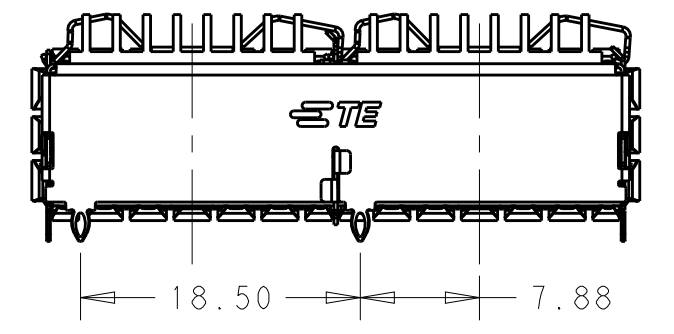
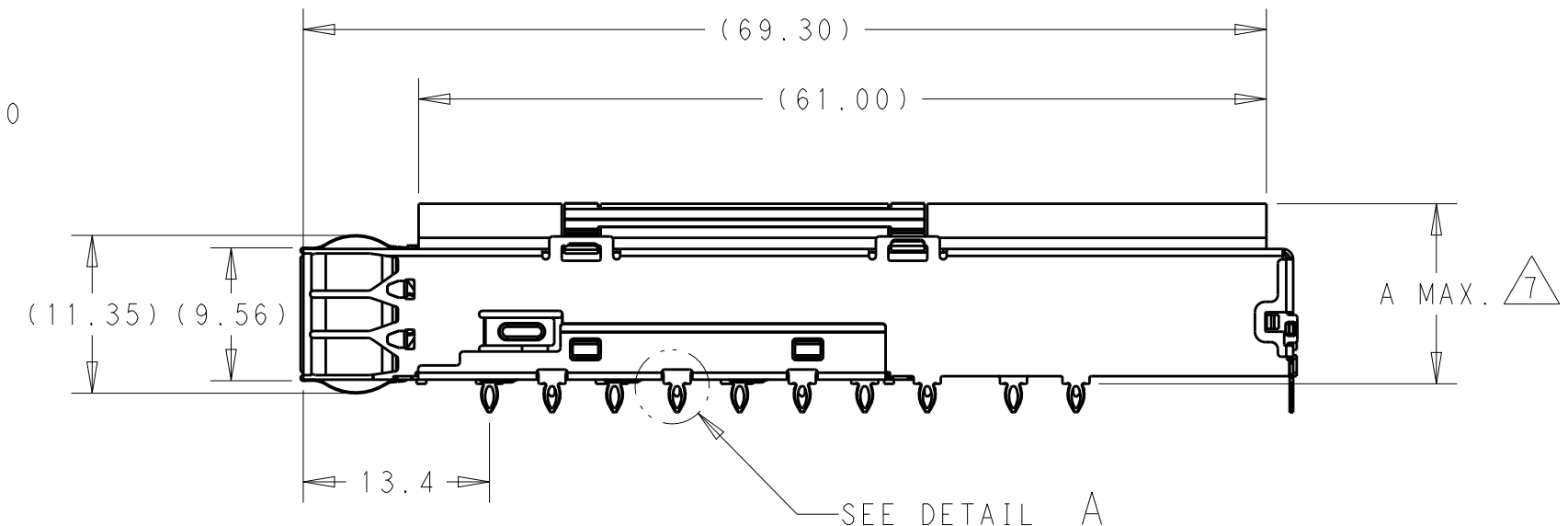
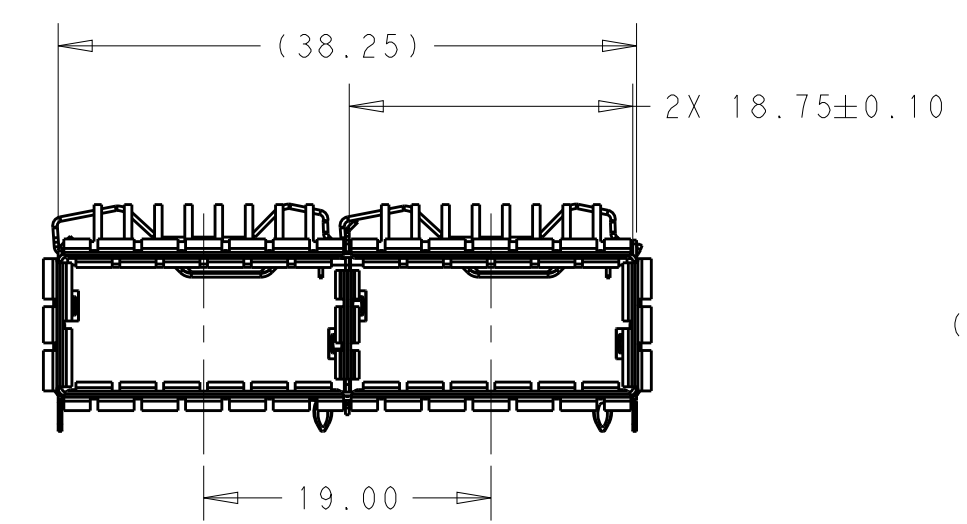
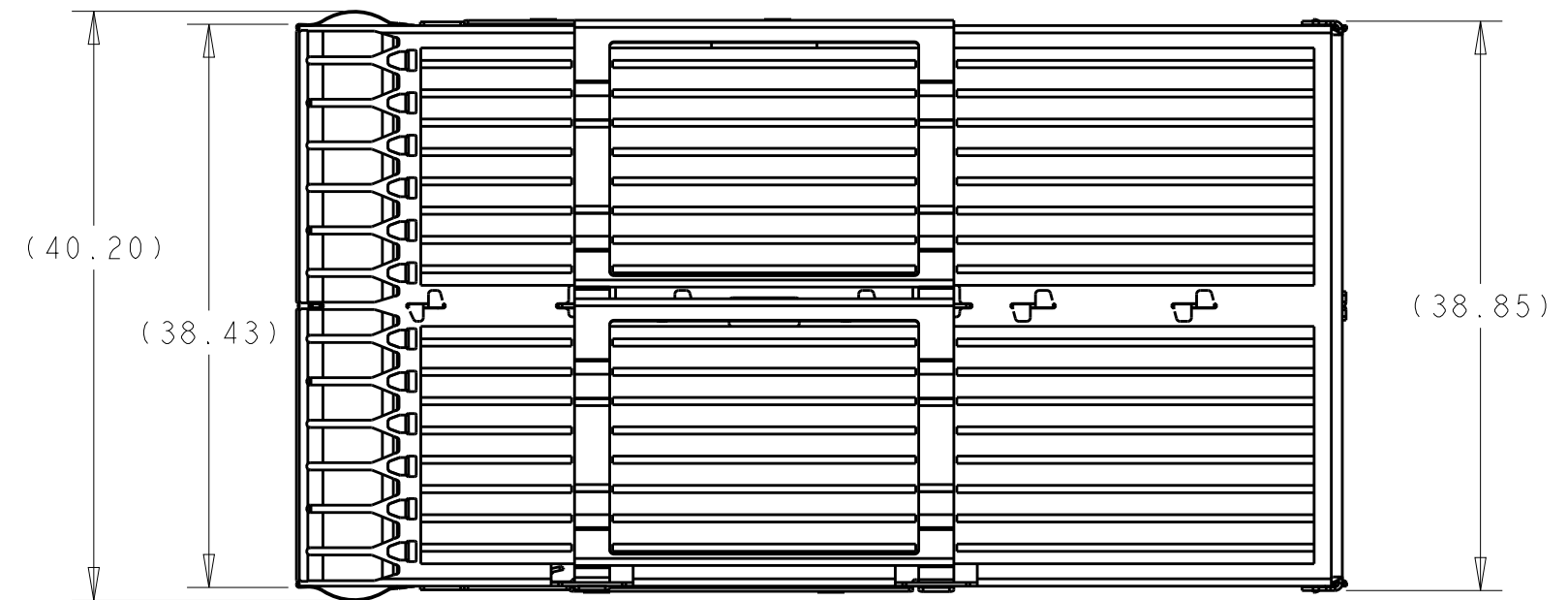
THIS DRAWING IS UNPUBLISHED. RELEASED FOR PUBLICATION 20
 © COPYRIGHT 20 BY - ALL RIGHTS RESERVED.

REVISIONS				
P	LTR	DESCRIPTION	DATE	APVD
A		INITIAL RELEASE	14JUN2019	AJ SH

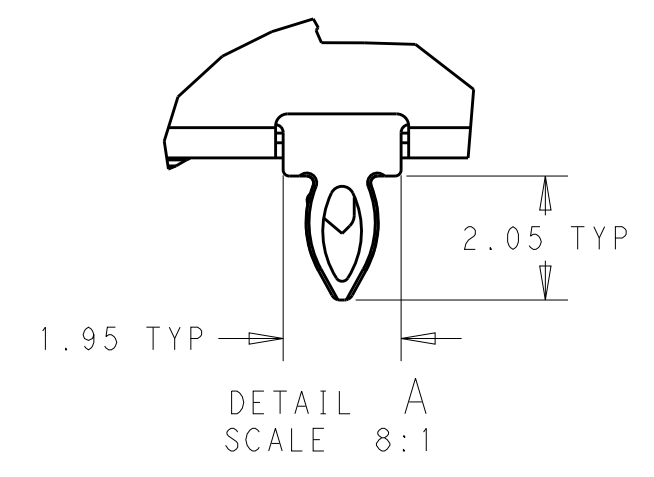


NOTES:

- ① CAGE ASSEMBLY: STAINLESS STEEL.
HEAT SINK: ALUMINUM/ BLACK ANODIZED.
HEAT SINK CLIP: STAINLESS STEEL.
EMI SPRING: COPPER ALLOY/NICKEL PLATE.
- ② REFERENCE APPLICATION SPECIFICATION 114-60025 FOR RECOMMENDED DRILL HOLE DIAMETER AND PLATING THICKNESS. BOARD LAYOUT PER THIS PRINT.
- ③ DATUM AND BASIC DIMENSION ESTABLISHED BY CUSTOMER.
- ④ PART NUMBER AND DATE CODE (YYWWD) MARKED APPROXIMATELY AS SHOWN.
- 5. MATES WITH QSFP DD MSA COMPATIBLE TRANSCEIVER.
- 6. MINIMUM PC BOARD THICKNESS: SINGLE SIDED: 1.57 MIN
DOUBLE SIDED: 3.00 MIN
- ⑦ DIMENSION APPLIES WITH MODULE INSERTED.



2342935-1 AS SHOWN
SCALE 2:1

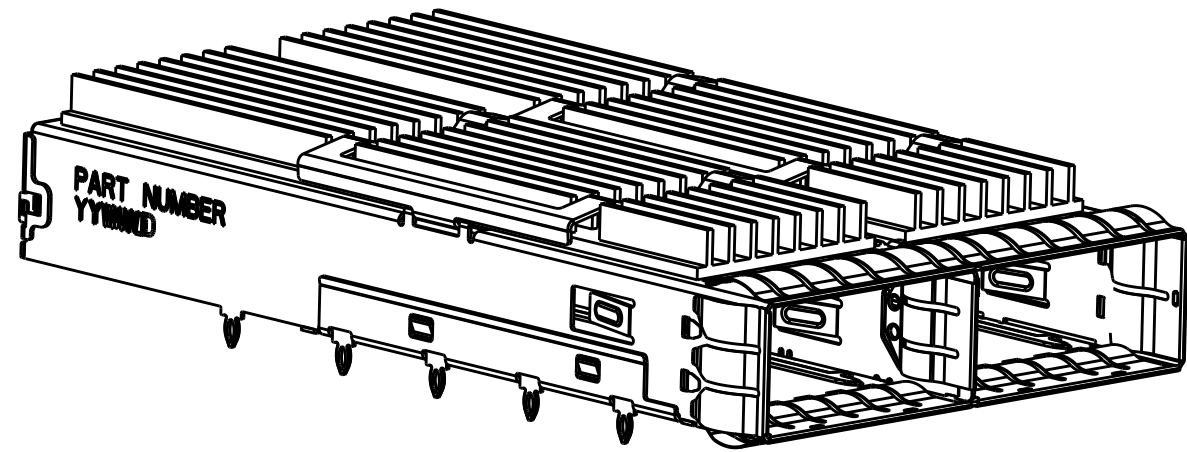


23.00	1	NETWORKING	2342935-3
16.00	1	SAN	2342935-2
13.70	1	PCI	2342935-1
DIM A	# REAR PINS (PER PORT)	APPLICATION (HEAT SINK OPTION)	PART NUMBER

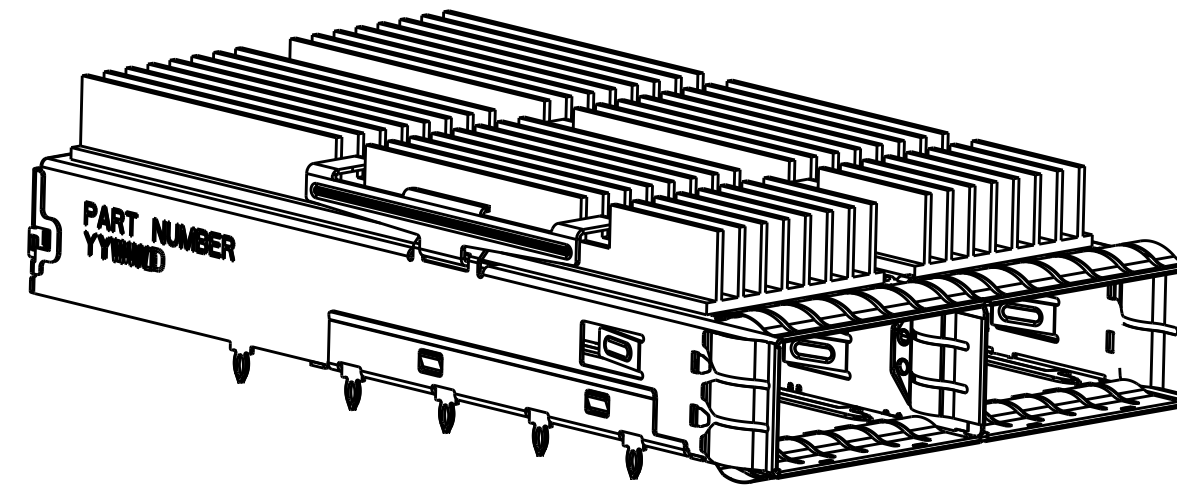
THIS DRAWING IS A CONTROLLED DOCUMENT.		DWN ARTHUR JIN 11SEP2018	TE Connectivity	
DIMENSIONS: mm		CHK SEAN HAN 11SEP2018		
TOLERANCES UNLESS OTHERWISE SPECIFIED:		APVD SEAN HAN 11SEP2018	NAME QSFP-DD, 1X2 CAGE ASSEMBLY W-EXTRUDED HEAT SINK W-EMI SPRING,	
0 PLC ±0.25		PRODUCT SPEC 108-60122	SIZE CAGE CODE DRAWING NO RESTRICTED TO	
1 PLC ±0.25		APPLICATION SPEC 114-60025	A2 - C-2342935	
2 PLC ±0.20		WEIGHT -	SCALE 1:1 SHEET 1 OF 5 REV A	
3 PLC ±0.10		CUSTOMER DRAWING		
4 PLC ±				
ANGLES ±				
FINISH SEE NOTE				

THIS DRAWING IS UNPUBLISHED. RELEASED FOR PUBLICATION 20
 © COPYRIGHT 20 BY - ALL RIGHTS RESERVED.

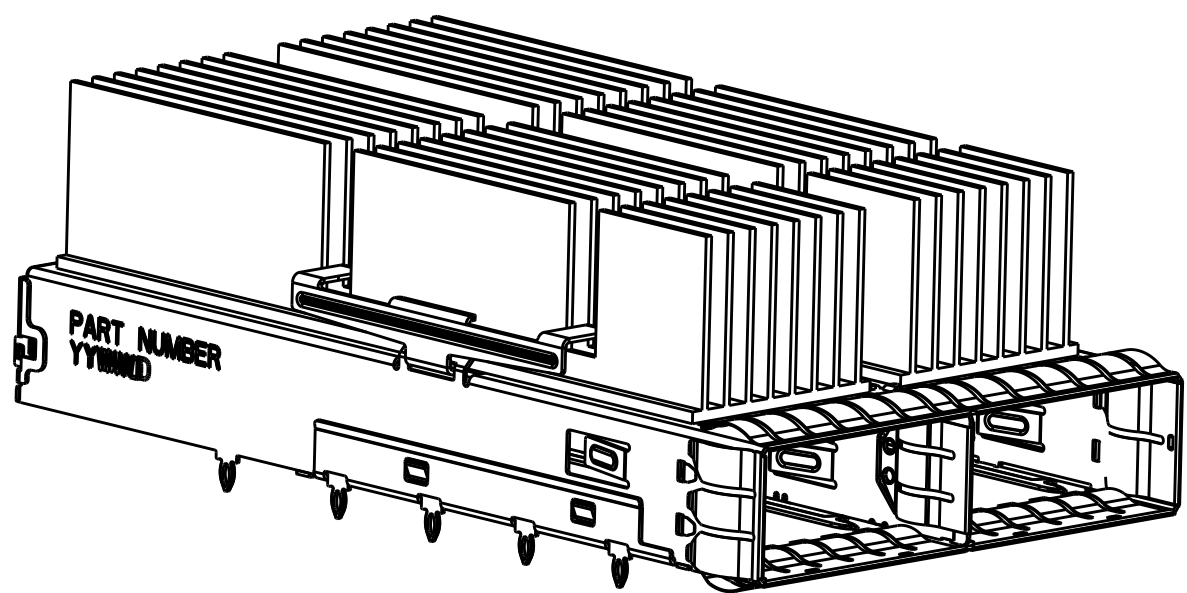
REVISIONS				
P	LTR	DESCRIPTION	DATE	APVD
-		SEE SHEET 1	-	-




2342935-1 AS SHOWN
 WITH PCI HAET SINK
 SCALE 2:1



2342935-2 AS SHOWN
 WITH SAN HAET SINK
 SCALE 2:1

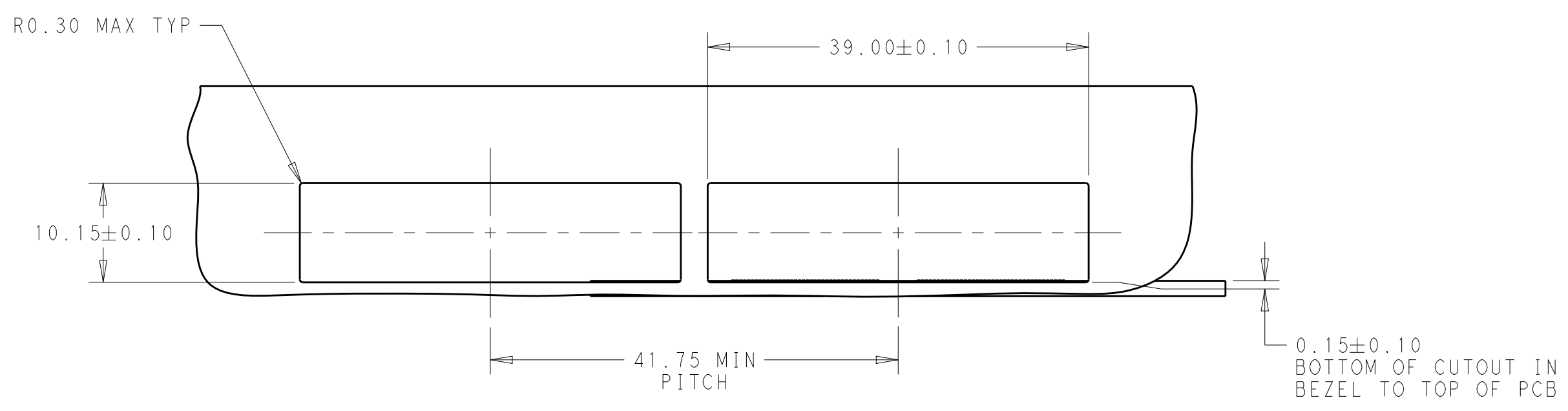


2342935-3 AS SHOWN
 WITH NETWORKING HAET SINK
 SCALE 2:1

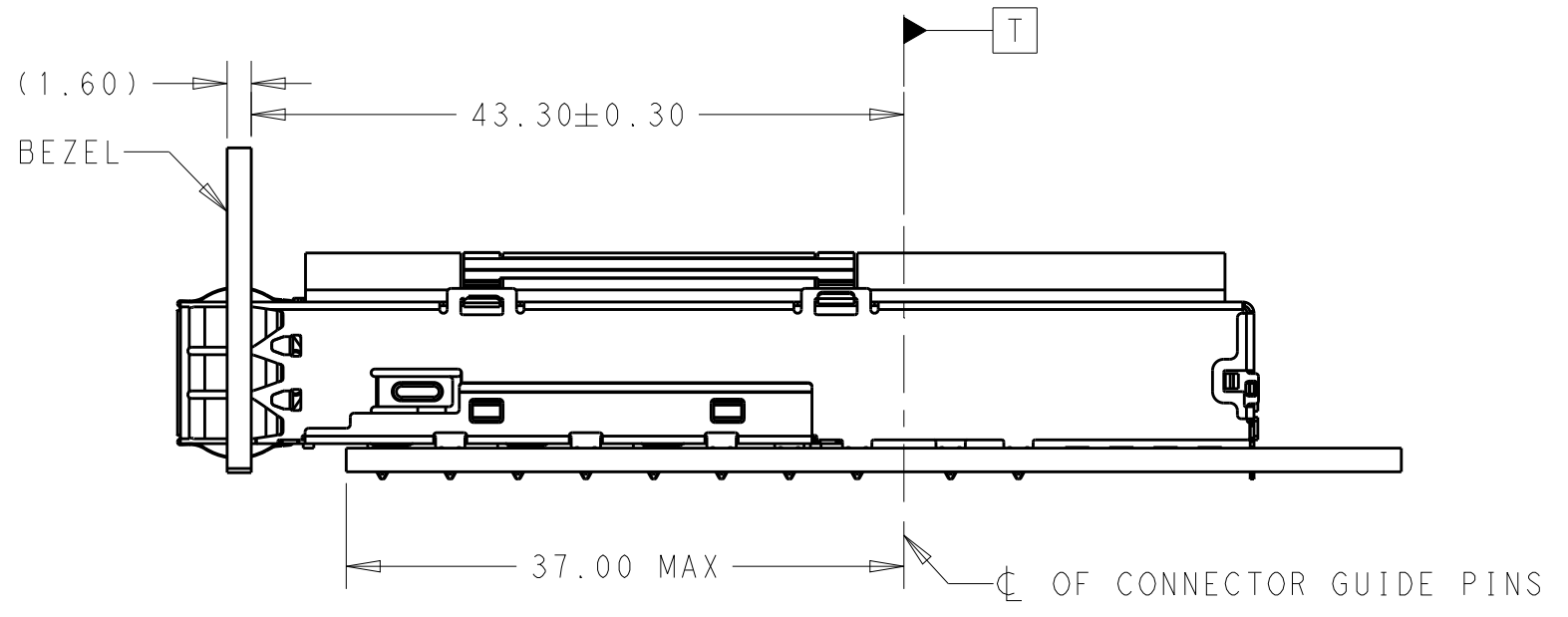
THIS DRAWING IS A CONTROLLED DOCUMENT.		DWN ARTHUR JIN 11SEP2018	 TE Connectivity	
		CHK SEAN HAN 11SEP2018		
		APVD SEAN HAN 11SEP2018	NAME QSFP-DD, 1X2 CAGE ASSEMBLY W-EXTRUDED HEAT SINK W-EMI SPRING,	
DIMENSIONS: mm		PRODUCT SPEC 108-60122	SIZE A2	CAGE CODE -
TOLERANCES UNLESS OTHERWISE SPECIFIED: 0 PLC ±0.25 1 PLC ±0.25 2 PLC ±0.20 3 PLC ±0.10 4 PLC ± ANGLES ± FINISH		APPLICATION SPEC 114-60025	DRAWING NO C-2342935	RESTRICTED TO -
MATERIAL SEE NOTE		WEIGHT -	SCALE 1:1 SHEET 2 OF 5 REV A	
		CUSTOMER DRAWING		

THIS DRAWING IS UNPUBLISHED. RELEASED FOR PUBLICATION 20
 © COPYRIGHT 20 BY - ALL RIGHTS RESERVED.

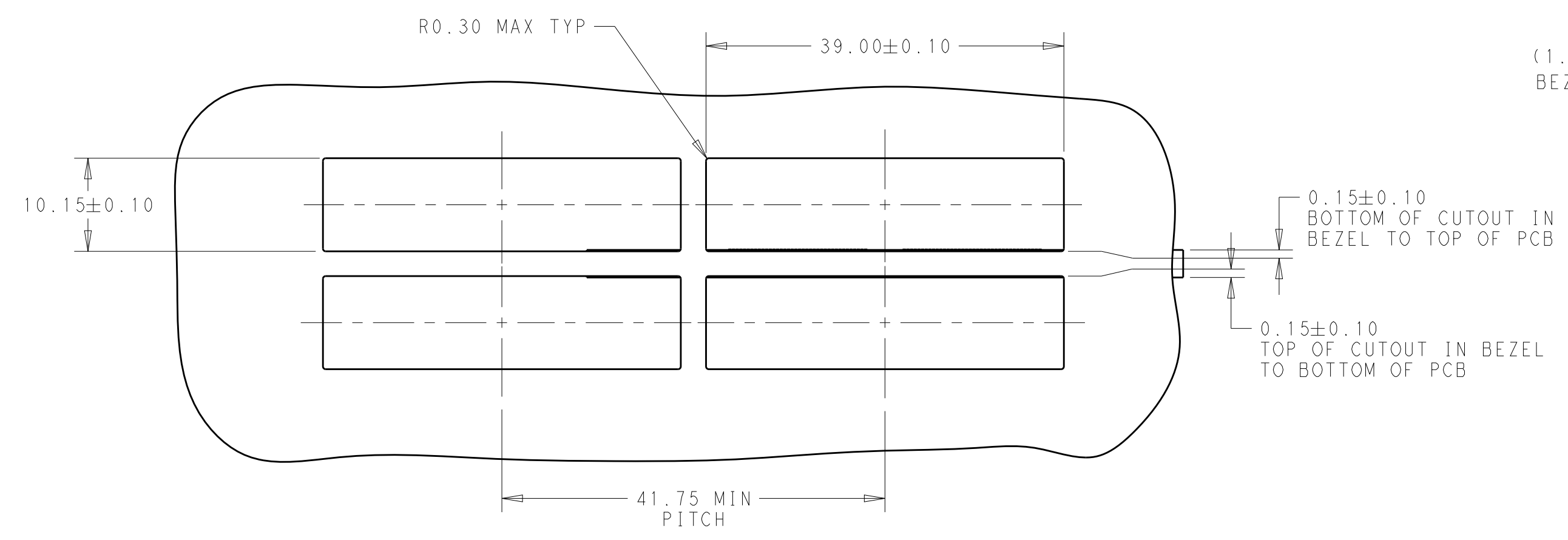
REVISIONS				
P	LTR	DESCRIPTION	DATE	APVD
-	-	SEE SHEET 1	-	-



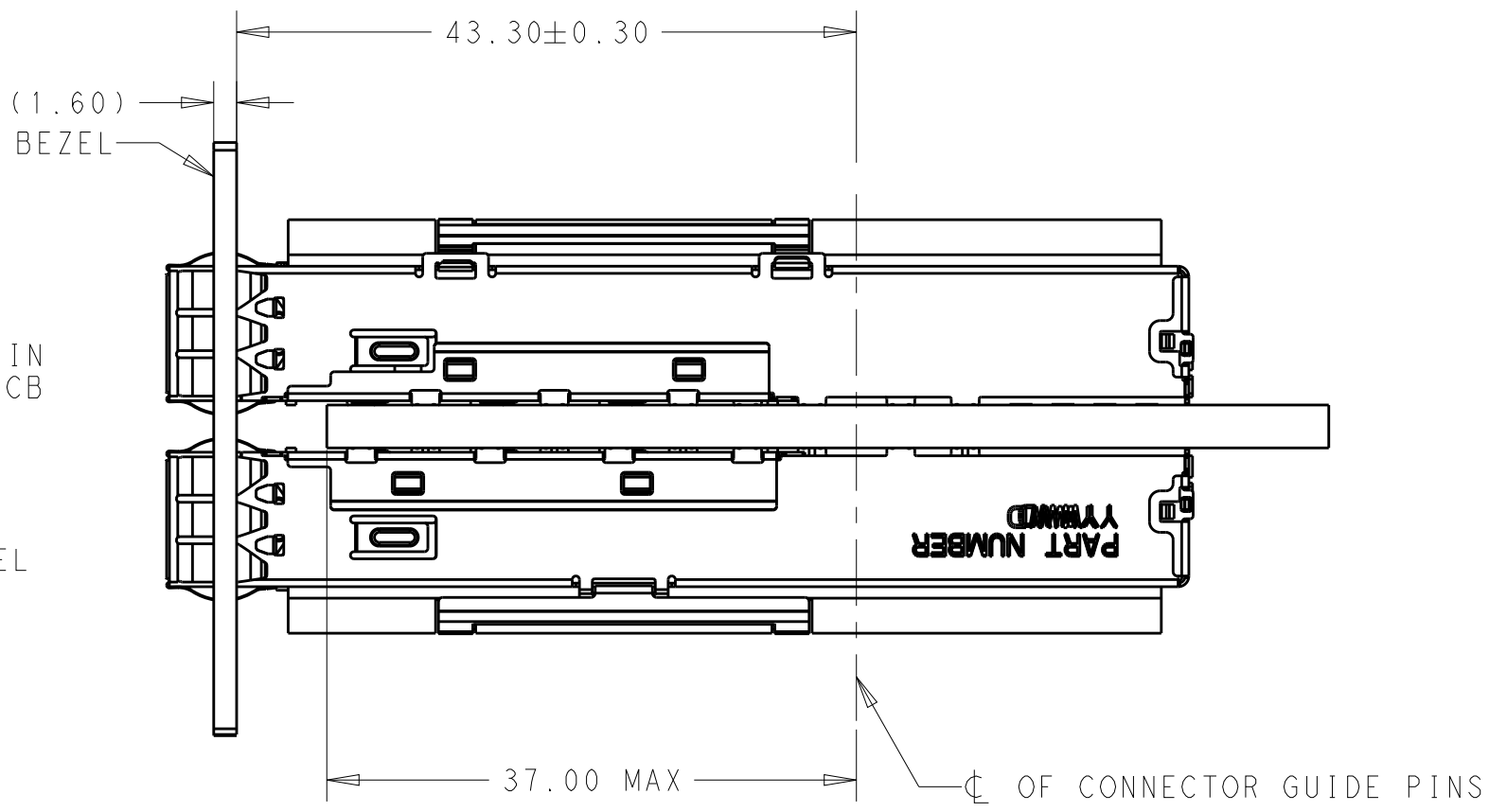
CAGE ASSEMBLY OMITTED FOR CLARITY



SINGLE SIDE MOUNTING



CAGE ASSEMBLY OMITTED FOR CLARITY

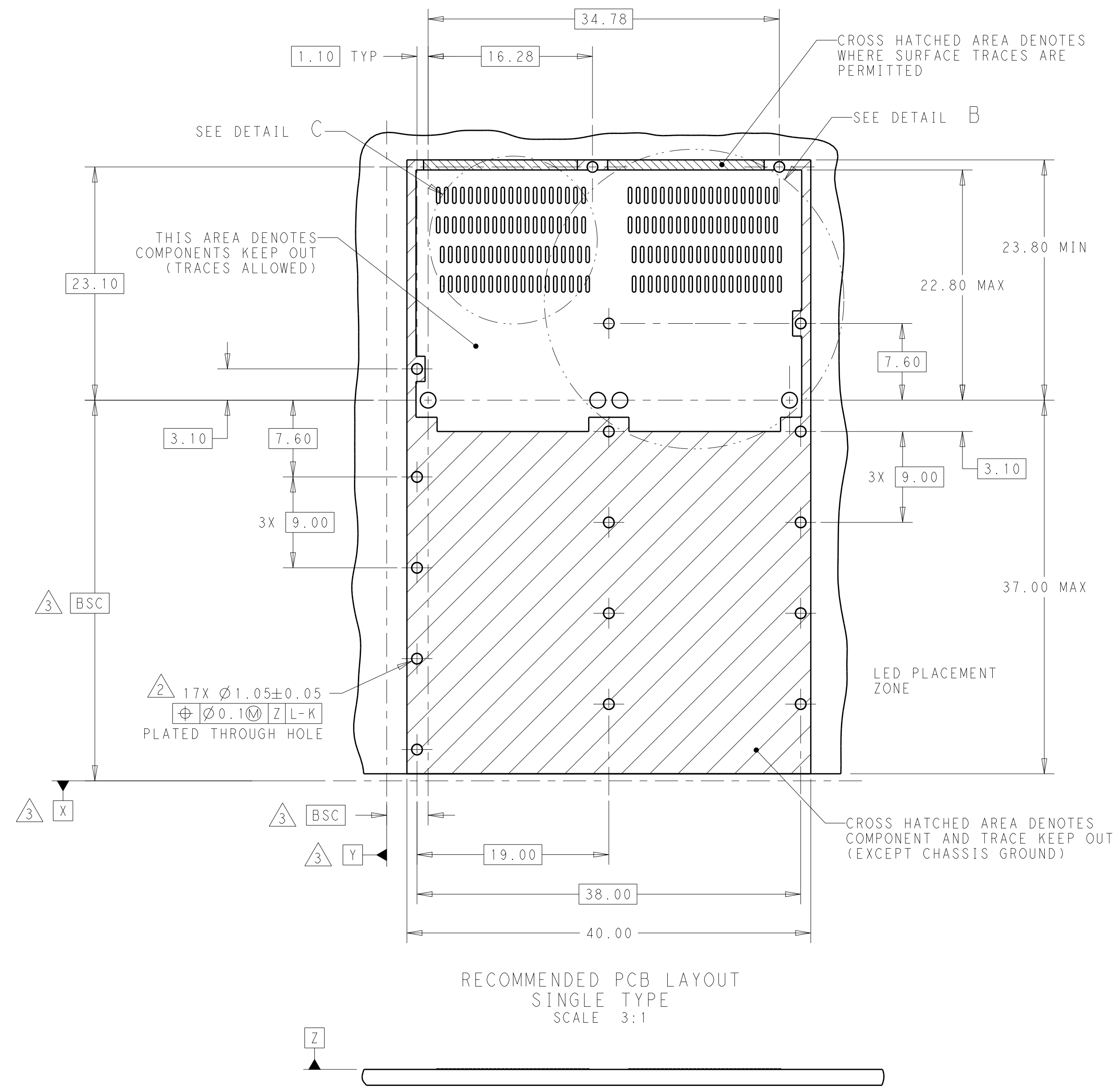


BELLY TO BELLY MOUNTING

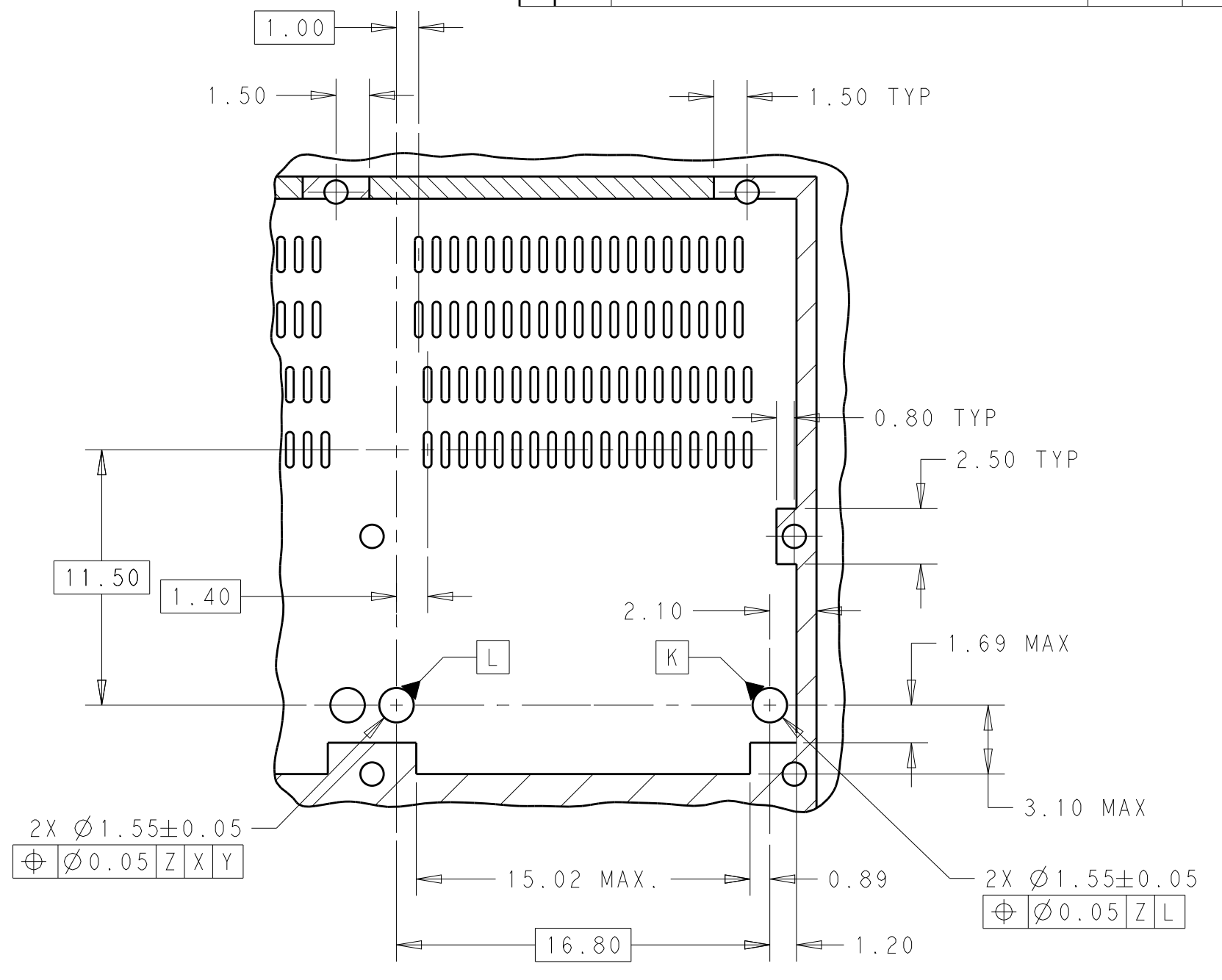
THIS DRAWING IS A CONTROLLED DOCUMENT.		DWN ARTHUR JIN 11SEP2018	TE Connectivity	
DIMENSIONS: mm		CHK SEAN HAN 11SEP2018		
TOLERANCES UNLESS OTHERWISE SPECIFIED:		APVD SEAN HAN 11SEP2018	NAME QSFP-DD, 1X2 CAGE ASSEMBLY W-EXTRUDED HEAT SINK W-EMI SPRING,	
0 PLC ±0.25 1 PLC ±0.25 2 PLC ±0.20 3 PLC ±0.10 4 PLC ± ANGLES ± FINISH		PRODUCT SPEC 108-60122	SIZE A2	CAGE CODE -
MATERIAL SEE NOTE		APPLICATION SPEC 114-60025	DRAWING NO C-2342935	RESTRICTED TO -
WEIGHT -		CUSTOMER DRAWING	SCALE 1:1	SHEET 3 OF 5
			REV A	

THIS DRAWING IS UNPUBLISHED. RELEASED FOR PUBLICATION 20
 © COPYRIGHT 20 BY - ALL RIGHTS RESERVED.

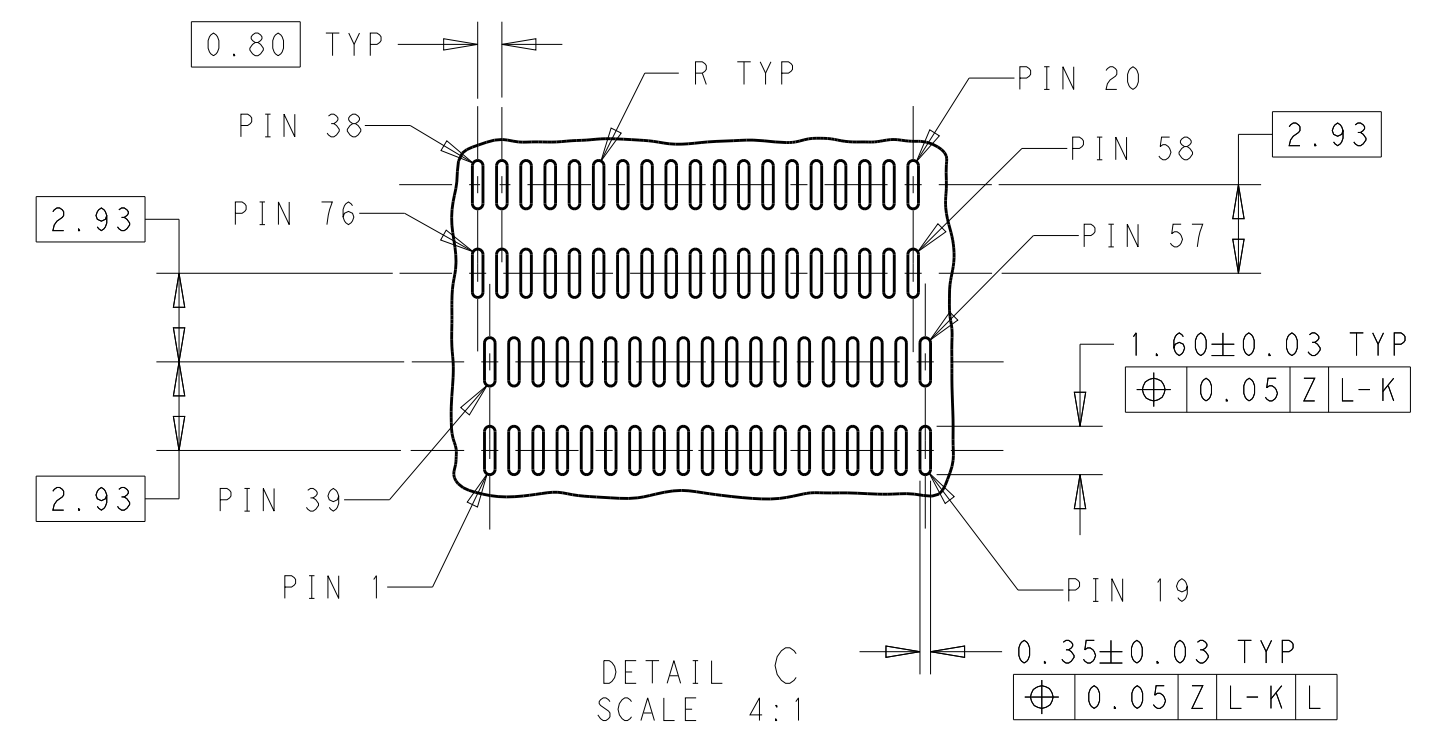
REVISIONS				
P	LTR	DESCRIPTION	DATE	APVD
-	-	SEE SHEET 1	-	-



RECOMMENDED PCB LAYOUT
 SINGLE TYPE
 SCALE 3:1



DETAIL B
 SCALE 4:1

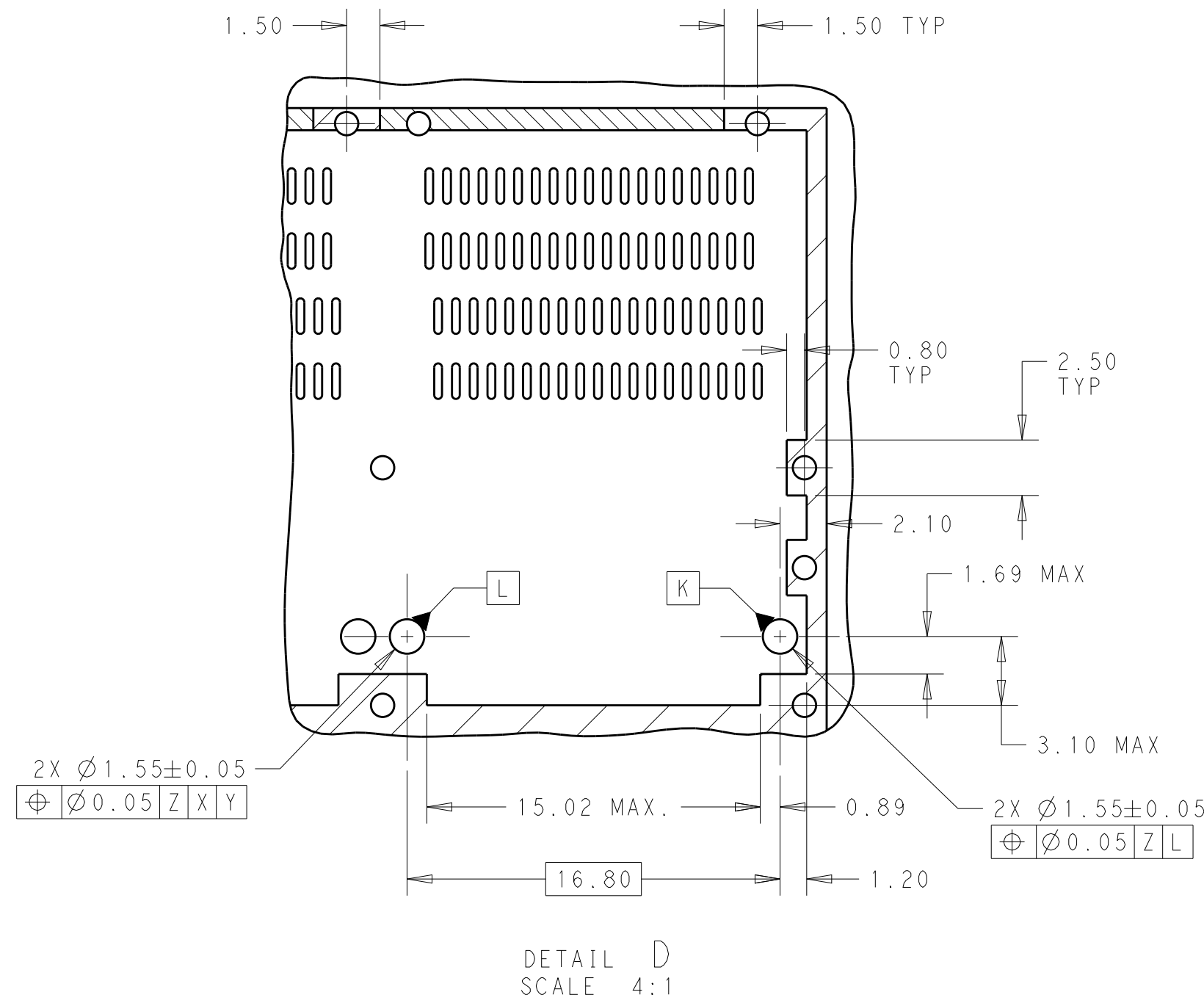
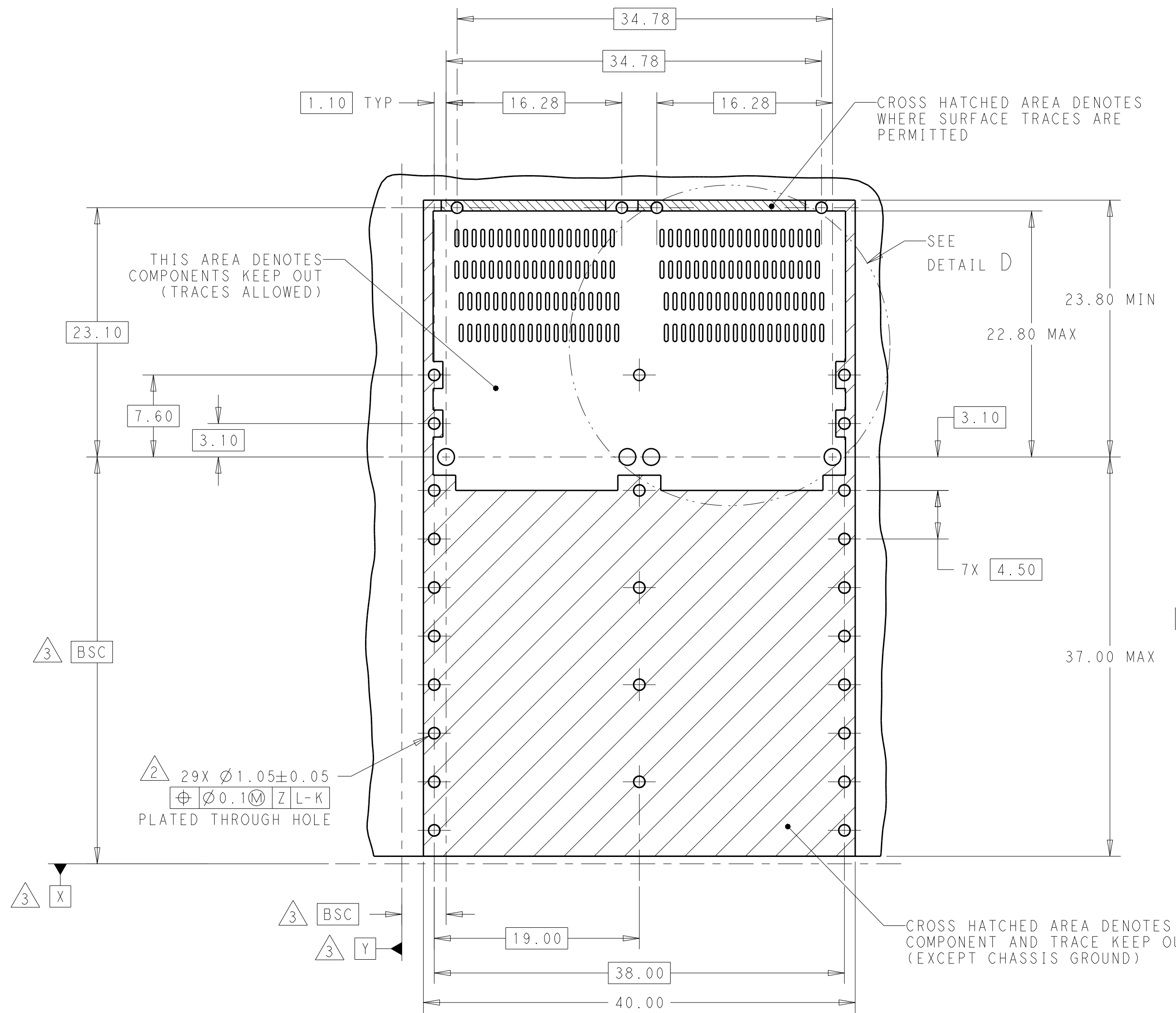


DETAIL C
 SCALE 4:1

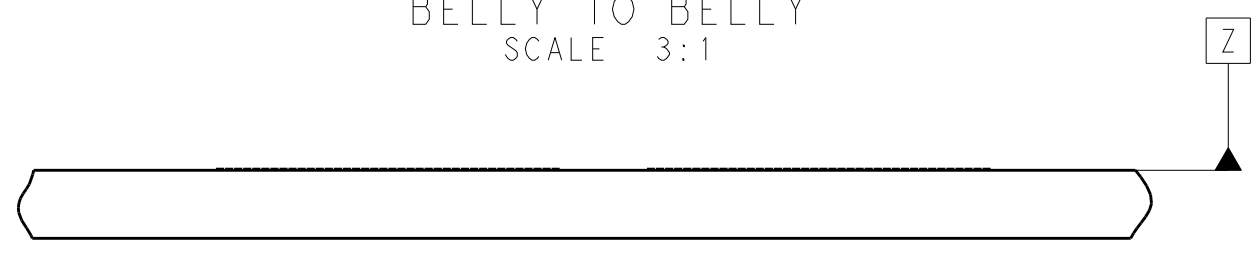
THIS DRAWING IS A CONTROLLED DOCUMENT.		DWN 11SEP2018 ARTHUR JIN	TE Connectivity	
DIMENSIONS: mm		CHK 11SEP2018 SEAN HAN		
TOLERANCES UNLESS OTHERWISE SPECIFIED:		APVD 11SEP2018 SEAN HAN	NAME QSFP-DD, 1X2 CAGE ASSEMBLY W-EXTRUDED HEAT SINK W-EMI SPRING,	
0 PLC ±0.25	1 PLC ±0.25	PRODUCT SPEC 108-60122	SIZE A2	CAGE CODE -
2 PLC ±0.20	3 PLC ±0.10	APPLICATION SPEC 114-60025	DRAWING NO C-2342935	RESTRICTED TO -
4 PLC ±	ANGLES ±	WEIGHT -	SCALE 1:1	SHEET 4 OF 5
MATERIAL SEE NOTE	FINISH SEE NOTE	CUSTOMER DRAWING	REV A	

THIS DRAWING IS UNPUBLISHED. RELEASED FOR PUBLICATION 20
 © COPYRIGHT 20 BY - ALL RIGHTS RESERVED.

REVISIONS				
P	LTR	DESCRIPTION	DATE	APVD
-	-	SEE SHEET 1	-	-



RECOMMENDED PCB LAYOUT
 BELLY TO BELLY
 SCALE 3:1



THIS DRAWING IS A CONTROLLED DOCUMENT.		DWN 11SEP2018 ARTHUR JIN	STE TE Connectivity	
		CHK 11SEP2018 SEAN HAN		
		APVD 11SEP2018 SEAN HAN	NAME QSFP-DD, 1X2 CAGE ASSEMBLY W-EXTRUDED HEAT SINK W-EMI SPRING,	
DIMENSIONS: mm		PRODUCT SPEC 108-60122		SIZE A2
TOLERANCES UNLESS OTHERWISE SPECIFIED: 0 PLC ± 0.25 1 PLC ± 0.25 2 PLC ± 0.20 3 PLC ± 0.10 4 PLC \pm		APPLICATION SPEC 114-60025		CAGE CODE -
MATERIAL SEE NOTE		WEIGHT -		DRAWING NO. C-2342935
FINISH SEE NOTE		CUSTOMER DRAWING		RESTRICTED TO -
		SCALE 1:1		SHEET 5 OF 5
				REV A