

| ITEM | Q'TY | PART NUMBER | PART DESCRIPTION |
|------|------|-------------|---|
| 1 | 1 | FLPR2-XX | Flexible Light Pipe 2mm Adapter, Right Angle w/ LED, See page 2 |
| 2 | 1 | FLPD-XX.X | Flexible Light Pipe Lens Cap Assembly, 2mm, Dome Face |

| REV. | DESCRIPTION | DATE | APPROVED |
|------|---------------------------------------|----------|----------|
| A | Engineering Release | 09/14/09 | T. Y. |
| B | Replace 3UWC-0.6K-F with 3UWC1.035C-F | 04/26/12 | T. Y. |
| C | Updated Table For Length "L" | 11/16/12 | T. Y. |
| D | Updated LED Optical Characteristics | 09/15/15 | J. C. |
| E | Updated LED Tables | 08/15/18 | M. C. |

NOTE: FLPR2-XX ADAPTER SHIPPED NON-ASSEMBLED

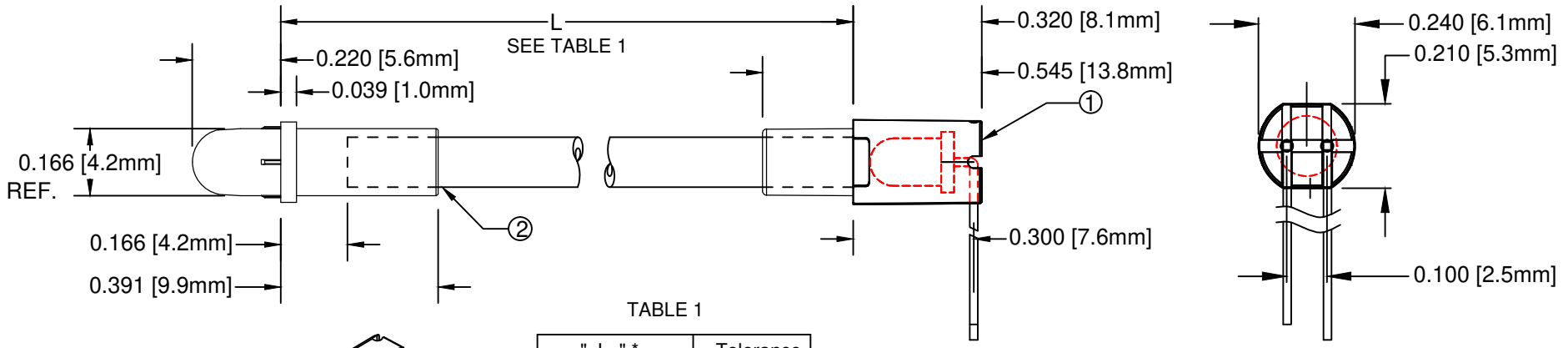
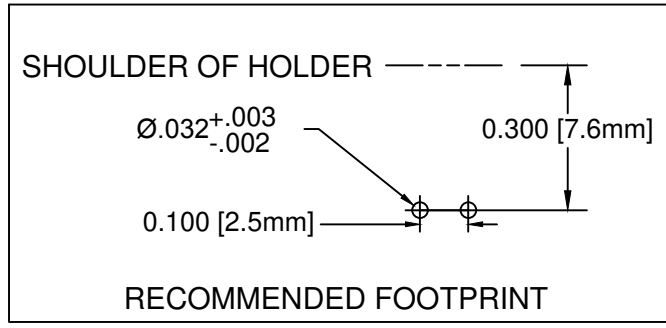
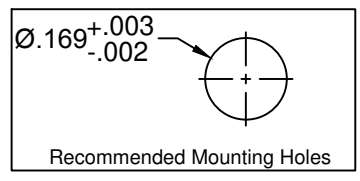
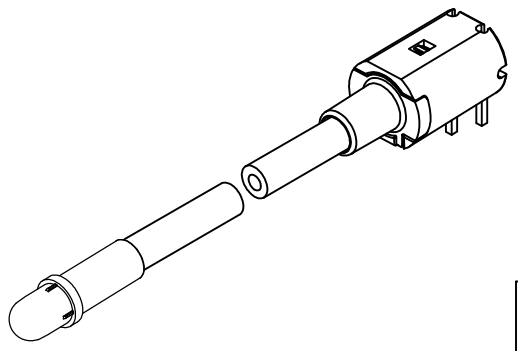
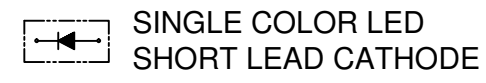


TABLE 1

| " L " * | Tolerance |
|------------------|-----------|
| 1.0" ~ 16.0" | ±0.050" |
| 16.1" ~ 40.0" | ±0.15" |
| 40.1" ~ 80.0" | ±0.30" |
| 80.1" ~ 3,940.0" | ±0.5% |

* Available in 0.1" increments only



| SHORT LEAD CATHODE | LED PART NO. | LONG LEAD CATHODE |
|--------------------|--------------|-------------------|
| RED | 3xBCC-F | GREEN |
| YELLOW | 3BC-Y/G-F | GREEN |

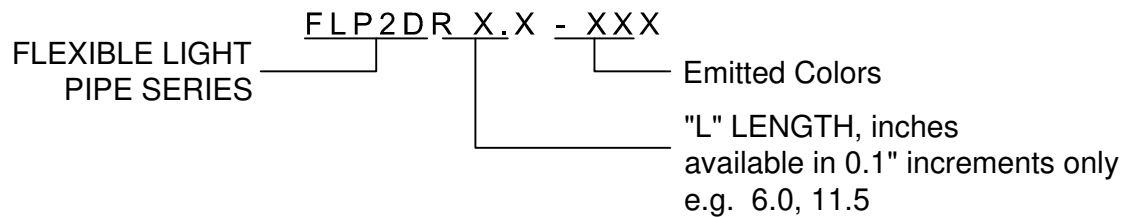
ABSOLUTE MAXIMUM RATINGS (Ta=25°C)

| | |
|---|----------------------|
| REVERSE VOLTAGE _____ | 5V |
| REVERSE CURRENT _____ | 100uA |
| OPERATING TEMPERATURE RANGE _____ | -25° C - 85° C |
| STORAGE TEMPERATURE _____ | -30° C - 100° C |
| LEAD SOLDERING TEMPERATURE(1/16" FROM BODY) _____ | 260° C FOR 5 SECONDS |

| | | | | | |
|---|---------|---|----------------|------------------------|----------------|
| STANDARD TOLERANCE (UNLESS OTHERWISE SPECIFIED) | | BIVAR [®] 4 THOMAS, IRVINE, CA. 92618 TEL: (949) 951-8808 FAX: (949) 951-3974 | | | |
| DECIMALS | ANGULAR | | | | |
| .X ±.1 | X° ±1° | TITLE: FLEXIBLE LIGHT PIPE ASSY, DOME FACE, RIGHT ANGLE | | | |
| .XX ±.02 | | | | | |
| .XXX ±.010 | | DESIGNED: B. OLIVER | DATE: 09/14/09 | PART NO: FLP2DRX.X-XXX | REVISION: E |
| | | REVISED: TD. NGUYEN | DATE: 08/15/18 | CAGE CODE: 32559 | |
| | | CHECKED: K. BARON | DATE: 08/15/18 | SCALE: NONE | SHEET # 1 OF 3 |
| CAD GENERATED DOCUMENT, DO NOT MEASURE DRAWING | | | | | |

| FLEXIBLE LP ASSY Part No. | ADAPTER Part No. | LED Part No. | Peak Wave Length | Emitted Color | Electro-Optical Data @ 20mA | | |
|------------------------------|---------------------|--------------|---------------------|---------------|--------------------------------|-----|-------------|
| | | | λ_p (nm) | | Vf (V) | | Iv (mcd) |
| | | | | | TYP | MAX | TYP |
| FLP2DRX.X-SG | FLPR2-SG | 3SGC-F | 568 | SUPER GREEN | 2.1 | 2.8 | 50 |
| FLP2DRX.X-SY | FLPR2-SY | 3SYC-F | 590 | SUPER YELLOW | 2.0 | 2.8 | 50 |
| FLP2DRX.X-SR | FLPR2-SR | 3SRC-F | 645 | SUPER RED | 1.7 | 2.4 | 60 |
| FLP2DRX.X-UT | FLPR2-UT | 3UTC-F | 500 | TURQUOISE | 3.5 | 4.0 | 800 |
| FLP2DRX.X-UG | FLPR2-UG | 3UGC-F | 570 | GREEN | 2.1 | 2.4 | 200 |
| FLP2DRX.X-SUG | FLPR2-SUG | 3SUGC-F | 570 | GREEN | 2.1 | 2.4 | 300 |
| FLP2DRX.X-UY | FLPR2-UY | 3UYC-F | 590 | YELLOW | 2.0 | 2.4 | 300 |
| FLP2DRX.X-UR | FLPR2-UR | 3URC-F | 645 | RED | 1.7 | 2.4 | 200 |
| FLP2DRX.X-SUR | FLPR2-SUR | 3SURC-F | 640 | RED | 1.8 | 2.4 | 200 |
| FLP2DRX.X-UW | FLPR2-UW | 3UWC1.035C-F | - | WHITE | 3.2 | 3.6 | 6000 |

VISIT WWW.BIVAR.COM FOR CURRENT LED DATASHEETS
LED DETAILS ON DATASHEETS TAKE PRECEDENCE OVER DETAILS SHOWN HERE



| FLEXIBLE LP ASSY Part No. | Adapter Part No. | LED Part No. | Peak Wave Length $\lambda_p(\text{nm})$ | Emitted Color | Electro-Optical Data @ 20mA | | |
|------------------------------|------------------|--------------|---|---------------|--------------------------------|-----|-------------|
| | | | | | Vf (V) | | Iv (mcd) |
| | | | | | TYP | MAX | TYP |
| FLP2DRX.X-BC | FLPR2-BC | 3BCC-F | 625 | HE RED | 2.0 | 2.8 | 8 |
| | | | 568 | GREEN | 2.1 | 2.8 | 8 |
| FLP2DRX.X-SBC | FLPR2-SBC | 3SBCC-F | 645 | SUPER RED | 1.7 | 2.4 | 100 |
| | | | 568 | HE GREEN | 2.1 | 2.8 | 60 |

VISIT WWW.BIVAR.COM FOR CURRENT LED DATASHEETS
 LED DETAILS ON DATASHEETS TAKE PRECEDENCE OVER DETAILS SHOWN HERE

