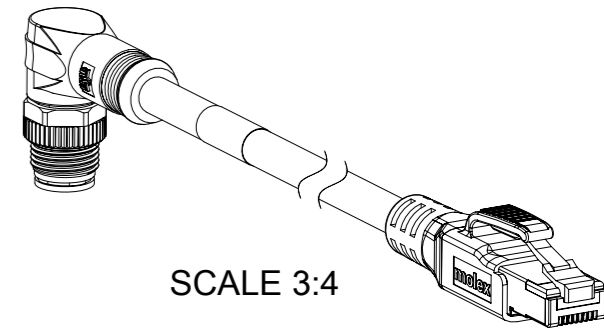


# PART No. MATRIX

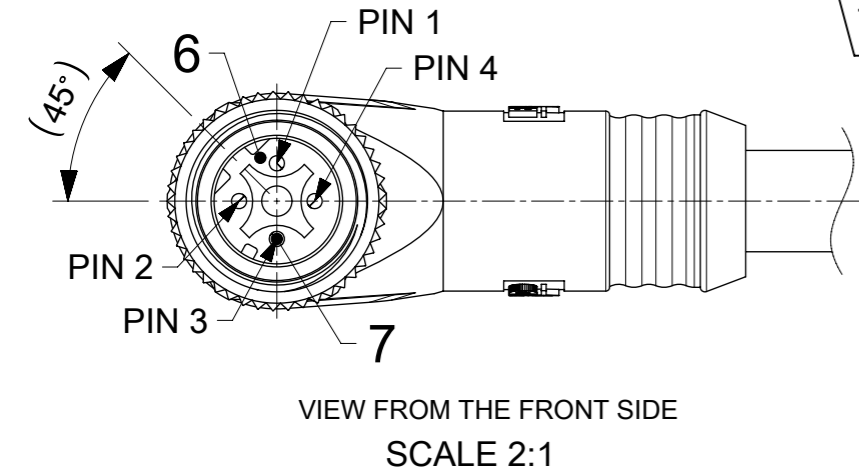
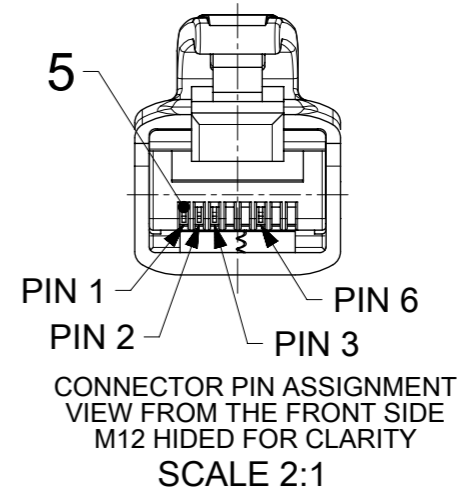
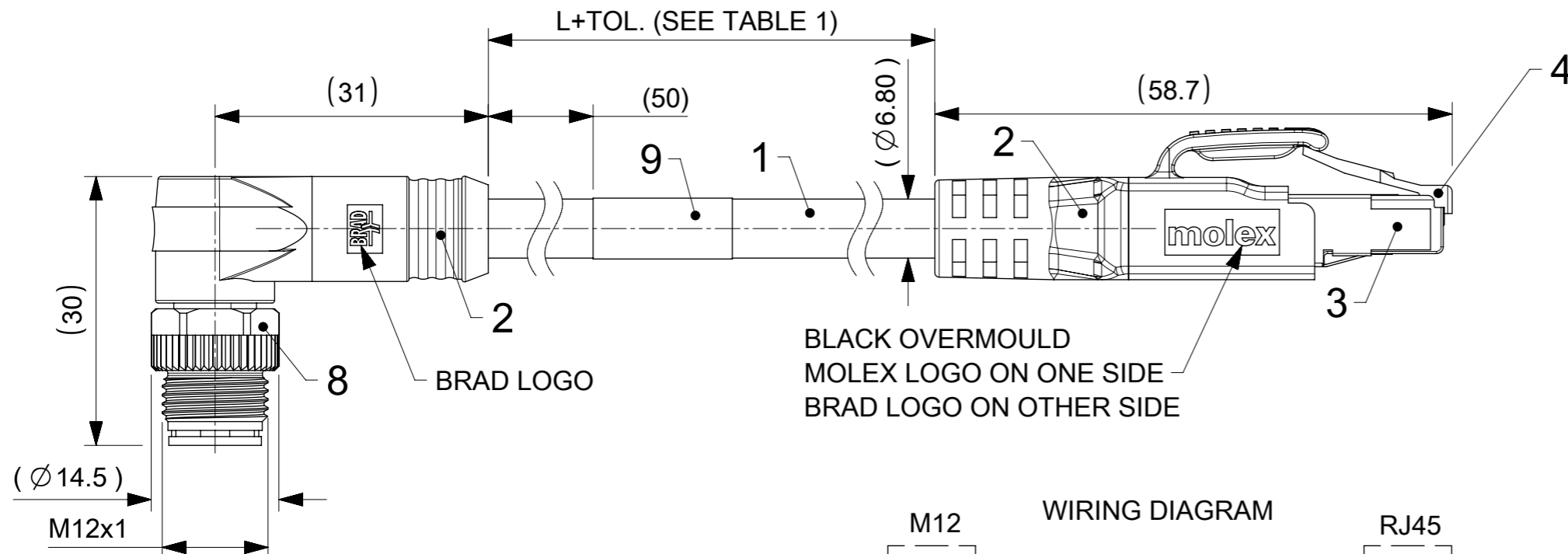
**E 1 6 A 0 6 2 1 2 M X X X X**

E=ETHERNET  
 HEADS:  
 1 = M12 4P D-Code  
 6 = RJ45  
 HEADS STYLE:  
 062 = MALE M12 RA(90°)  
 / RJ45 PLUG STR  
 CABLE TYPE :  
 CABLE 12  
 UNITS:  
 M= METER  
 T= 10x METER  
 LENGTH EXAMPLES:  
 005=0.5 m  
 010=1 m  
 150=15 m  
 T100=100 m  
 H= 2 PCS. OF I/D Carrier

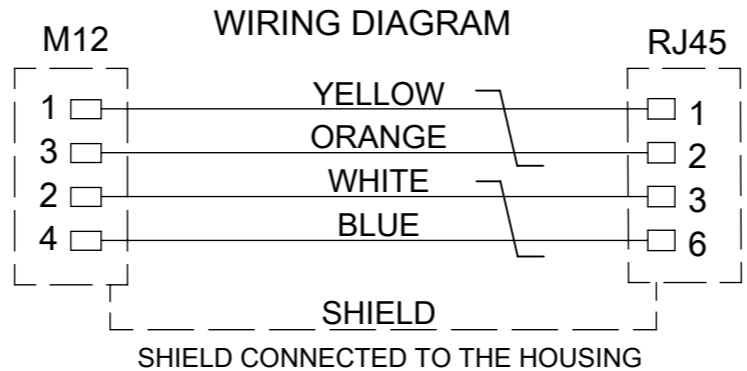
WIRING TYPE:  
 A=4 Pole (STRAIGHT WIRED)



SCALE 3:4



VIEW FROM THE FRONT SIDE  
 SCALE 2:1



TECHNICAL DATA :  
 M12 D-Coded to RJ45 CAT5e Cordset AWG22  
 90° green inline 360° shielded.

Poles : 4  
 Max. Voltage : 30V A.C. or 42V D.C.  
 Max. Current : 1.5A  
 Contact resistance : ≤10mΩ  
 Insulation Withstand : >100MΩ  
 Protection M12 / RJ45 : IP67 / IP20  
 Temperature range : -25°C to 85°C

Transmission characteristics  
 ACCORDING TO ISO 11801 CATEGORY 5e  
 PATCH CORD PROFINET TYPE C  
 Packaging :  
 The cordsets are packed in a polybag.

TABLE 2  
 CABLE LENGTH TOLERANCES

LENGTH	TOLERANCE
0m-1m	+40 mm
>1m-5m	+60 mm
>5m-10m	+80 mm
>10m-20m	+140 mm
>20m-30m	+160 mm
>30m	+1% length

## BOM

ITEM	QTY.	DESCRIPTION	MATERIAL	FINISH
9	1	LABEL	VINYL	YELLOW
8	1	COUPLING NUT M12 MALE	BRASS	NICKEL
7	4	CONTACTS M12 MALE	BRASS	SELECTIVE GOLD
6	1	INSERT 4P MALE	PUR	BLACK
5	4	CONTACT RJ45 MALE	PB	SELECTIVE GOLD
4	1	PLUG RJ45 TRANSPARENT	PC	-
3	1	RJ-45 PLUG, 4C, SHLD	BRASS	TIN
2	-	MOULDING MATERIAL	TPU	BLACK
1	-	CABLE ProfINET 2x2x#22 WSOR SH	TPU	GREEN
ITEM	QTY.	DESCRIPTION	MATERIAL	FINISH

## TABLE 1

ITEM NO.	MOLEX PN	ENGINEERING NO.	LENGTH (L) [m]
1	1201088392	E16A06212M030	3
2	1201088558	E16A06212M020	2

DOCUMENT STATUS | P1 | RELEASE DATE | 2021/06/02 12:00:41

THIS DRAWING CONTAINS INFORMATION THAT IS PROPRIETARY TO MOLEX ELECTRONIC TECHNOLOGIES, LLC AND SHOULD NOT BE USED WITHOUT WRITTEN PERMISSION

FUNCTIONAL SYMBOLS:  $\nabla_A = 0$ ,  $\nabla_E = 0$ ,  $\nabla_V = 0$

DIVISIONAL SYMBOLS:  $\nabla_A = 0$ ,  $\nabla_E = 0$ ,  $\nabla_V = 0$

SCALE: 3:2

GENERAL TOLERANCES (UNLESS SPECIFIED): 4 PLACES ±, 3 PLACES ±, 2 PLACES ±, 1 PLACE ±, 0 PLACES ±

ANGULAR TOL: ± °

DRAFT WHERE APPLICABLE MUST REMAIN WITHIN DIMENSIONS

THIRD ANGLE PROJECTION

DRAWING: A3-SIZE

SERIES: 120108

MATERIAL NUMBER: SEE TABLE 1

CUSTOMER: GENERAL MARKET

SHEET NUMBER: 1 OF 1

EC NO: 640263  
 DRWN: SSM 2021/04/01  
 CHK'D: RSILLER 2021/06/02  
 APPR: RSILLER 2021/06/02

INITIAL REVISION:  
 DRWN: JMARSZALEK 2016/03/08  
 APPR: RSILLER 2021/06/02

DOCUMENT NUMBER: 1201088392

DOC TYPE: PSD

DOC PART: 000

REVISION: A

**molex**

CSE M12 ETH 4P DC MA RA WSOR RJ45 STR XM DE SHLD D6.8 GN

PRODUCT CUSTOMER DRAWING