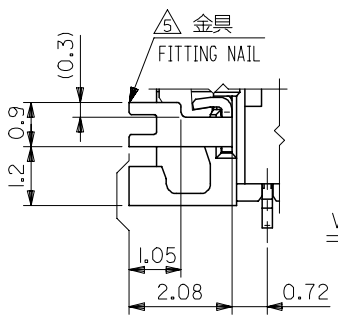
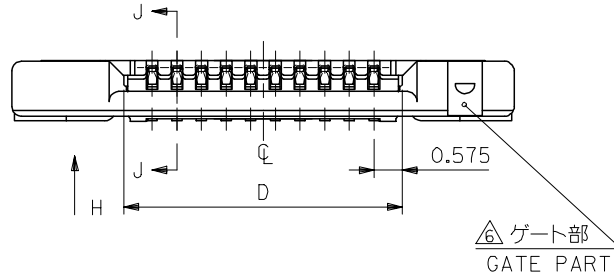
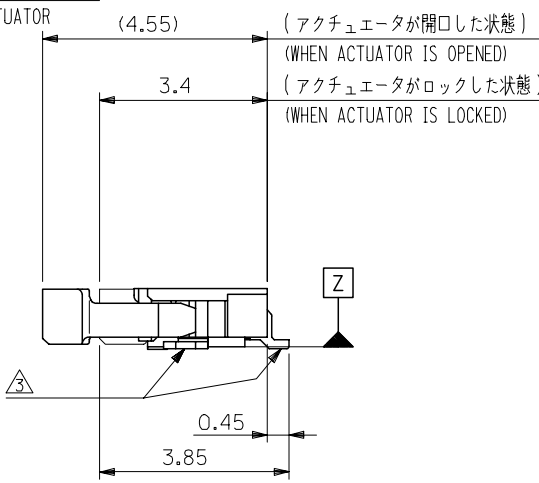


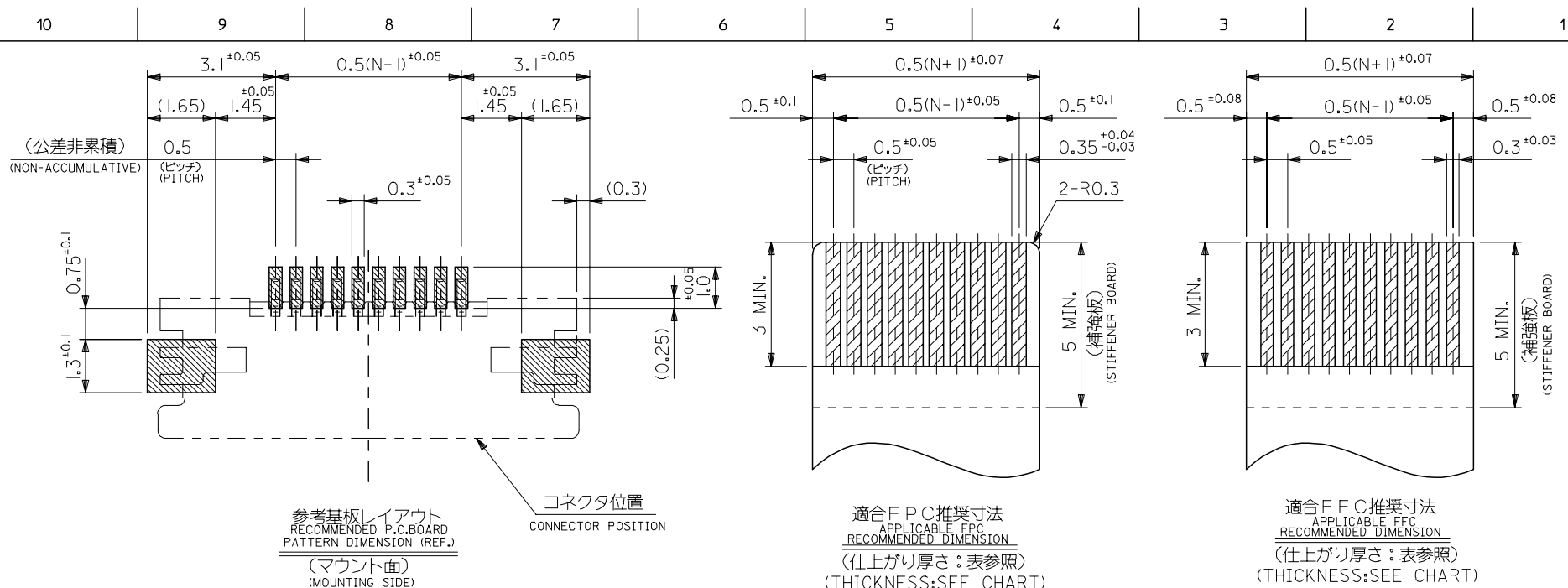
SECT. J-J
SCALE 20:1



VIEW H

0.28 ^{+0.03}	13.65	17	12.5	18.2	54550-2617	26
	12.65	16	11.5	17.2	54550-2417	24
	11.65	15	10.5	16.2	54550-2217	22
	11.15	14.5	10	15.7	54550-2117	21
	10.65	14	9.5	15.2	54550-2017	20
	10.15	13.5	9	14.7	54550-1917	19
	9.65	13	8.5	14.2	54550-1817	18
	9.15	12.5	8	13.7	54550-1717	17
	8.65	12	7.5	13.2	54550-1617	16
	8.15	11.5	7	12.7	54550-1517	15
0.3 ^{+0.03}	7.65	11	6.5	12.2	54550-1417	14
	7.15	10.5	6	11.7	54550-1317	13
	6.65	10	5.5	11.2	54550-1217	12
	6.15	9.5	5	10.7	54550-1117	11
	5.65	9	4.5	10.2	54550-1017	10
	5.15	8.5	4	9.7	54550-0917	9
	4.65	8	3.5	9.2	54550-0817	8
	4.15	7.5	3	8.7	54550-0717	7
	3.65	7	2.5	8.2	54550-0617	6
	3.15	6.5	2	7.7	54550-0517	5
THICKNESS OF FPC	D	C	B	A	製品番号 MATERIAL No.	極数 CK+

REVISED EC NO: J2007-4760 DRWN: AYOYAGI 2007/02/14 CHKD: KYOYODA 2007/06/01 APPR: NUKITA 2007/06/06 M	GENERAL TOLERANCES (UNLESS SPECIFIED)		DIMENSION STYLE MM ONLY		SCALE 10:1	DESIGN UNITS METRIC		THIRD ANGLE PROJECTION	
	10 UNDER	±0.2	DRAWN BY DATE M.FUJIKURA 1999/03/24		TITLE 0.5 FPC CONN. ZIF HOUSING ASSY -LEAD FREE-				
	10 OVER 30 UNDER	±0.25	CHECKED BY DATE S.KUNISHI 1999/03/24		MOLEX MOLEX INCORPORATED				
	30 OVER	±0.3	APPROVED BY DATE M.FUKUSHIMA 1999/03/24						
	ANGULAR ±3 °		DRAFT WHERE APPLICABLE MUST REMAIN WITHIN DIMENSIONS		MATERIAL NO. SEE CHART		DOCUMENT NO. SD-54550-005		SHEET NO. 1 OF 2
THIS DRAWING CONTAINS INFORMATION THAT IS PROPRIETARY TO MOLEX INCORPORATED AND SHOULD NOT BE USED WITHOUT WRITTEN PERMISSION									



注記 NOTES

1. 使用材料 MATERIAL

ハウジング : LCP, UL94V-0
HOUSING

アクチュエータ : PPS, UL94V-0
ACTUATOR

ターミナル : リン青銅、錫メッキ (t=0.2)
TERMINAL PHOS-BRO.TIN-PLATED

金具 : リン青銅、錫メッキ (t=0.2)
FITTING NAIL PHOS-BRO.TIN-PLATED

2. エンボステープ梱包時は、アクチュエータがロックした状態とする。
IN THE PACKAGE, ACTUATOR OF PART NO.54550-**17 SHOULD BE LOCKED.

△ソルダータール半田付け面のスレ量、及び金具半田付け面のスレ量は、基準面 Z に対し上方向 0MAX.、下方向 0.15MAX.とし、相互のバラッキ量は0.1MAX.とする。
MISALIGNMENT OF SOLDER TAILS AND FITTING NAILS FROM Z UPPER DIRECTION: 0 MAX., LOWER DIRECTION: 0.15 MAX. OFFSET BETWEEN UPPER AND LOWER 0.1 MAX.

△偶数極に適用。
APPLY FOR EVEN CIRCUIT.

△パターンはくり止め用金具
FITTING NAIL FOR PREVENTION OF PEELING OF P.C.B. PATTERN.

△ゲート部は、左右どちらか一方にあるものとする。
A GATE PART -- RIGHT AND LEFT -- IT SHALL BE IN EITHER.

7. N: 極数 N: CIRCUIT.

FPC/FFC について:

打ち抜き方向は導体側から補強板側を推奨します。
導体部については軟銅箔35μmまたは50μmを推奨します。

ABOUT FPC/FFC

RECOMMENDED PUNCHER DIRECTION : FROM CONDUCTOR SIDE TO STIFFENER FILM SIDE.
RECOMMENDED CONDUCTOR SPEC :
THICKNESS OF SOFT COPPER FOIL : 35 MICROMETER OR 50 MICROMETER.

FPC について:

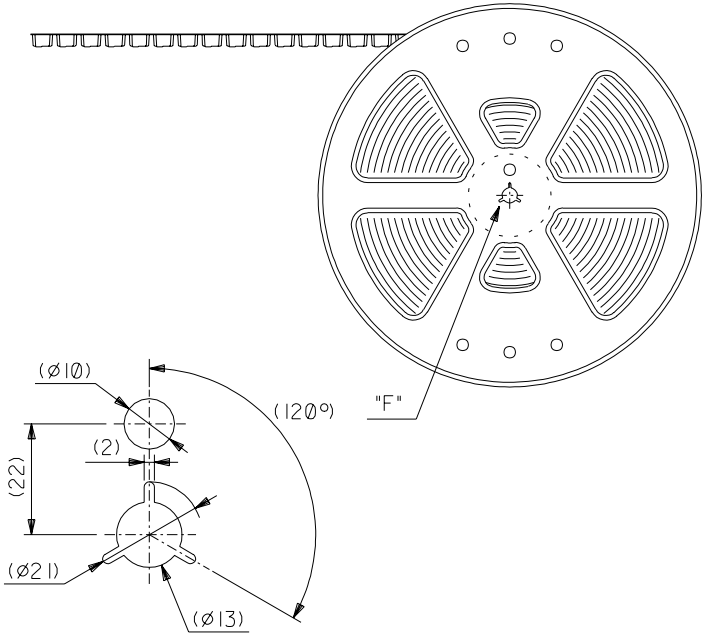
補強フィルム材質はポリイミドを推奨します。ベースフィルムは25μmを推奨します。
接着剤は熱硬化接着剤を推奨します。
尚、接着剤の接点部への付着は導通不良の原因になりますので、染み出しが無い様、お願い致します。

ABOUT FPC

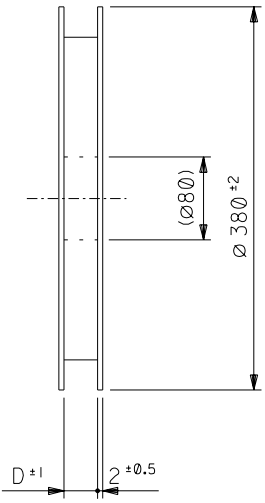
RECOMMENDED MATERIAL/THICKNESS.
STIFFENER FILM : POLYIMIDE
BASE FILM THICKNESS : 25μm
BONDING AGENT : THERMOSETTING BONDING AGENT
PLEASE PUT APPROPRIATE AMOUNT OF ADHESIVE ON THE CONTACT AREA BECAUSE THE EXTRA ADHESIVE MAY CAUSE THE DEFECT IN ELECTRICAL CONTINUITY.

REVISED		EC NO: J2007-4760		2007/02/14		2007/06/01		2007/06/06		54550-**17		MODEL No.	
DRWN: A0YAGI		CHKD: TOYODA		APPR: NUKITA		GENERAL TOLERANCES (UNLESS SPECIFIED)		DIMENSION STYLE		SCALE		DESIGN UNIT'S	
10 UNDER		± 0.2		MM ONLY		DRAWN BY		DATE		TITLE		THIRD ANGLE PROJECTION	
10 OVER 30 UNDER		± 0.25		M. FUJIKURA		1999/03/24		S. KUNISHI		1999/03/24		0.5 FPC CONN. ZIF HOUSING ASSY -LEAD FREE-	
30 OVER		± 0.3		M. FUKUSHIMA		1999/03/24		APPROVED BY		DATE		MOLEX INCORPORATED	
ANGULAR		± 3 °		DRAFT WHERE APPLICABLE MUST REMAIN WITHIN DIMENSIONS		SEE SHEET 1		SD-54550-005		2 OF 2			
M		REV		DESCRIPTION		SIZE		A3		THIS DRAWING CONTAINS INFORMATION THAT IS PROPRIETARY TO MOLEX INCORPORATED AND SHOULD NOT BE USED WITHOUT WRITTEN PERMISSION			

引き出し方向
PULL OUT

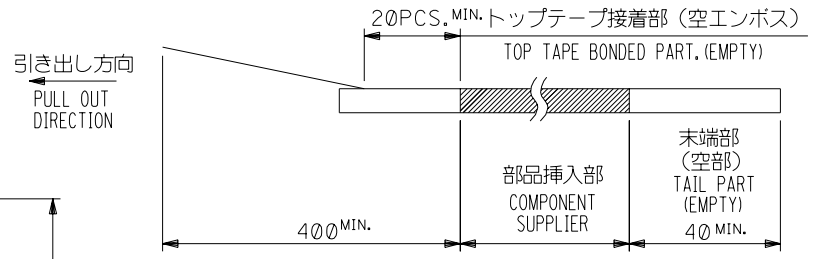


DETAIL "F"

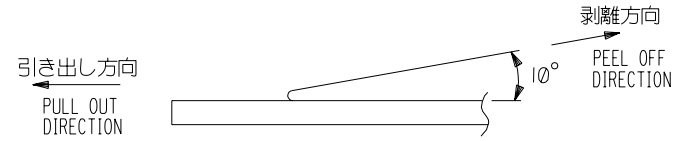


NOTES

- 製品詳細寸法については図面 54550-**17 を参照下さい。
RE DETAILED DIMENSION, SEE 54550-**17
- 梱包数量：3000個/リール
NUMBER OF CONNECTORS : 3000PCS/REEL
- リードテープ長さ LEAD TAPE LENGTH



- トップテープの剥離強度：0.1N ~ 0.7N(10.2gf ~ 71.4gf)
(剥離方向は下図参照)
尚、本規格値は出荷時に適用。(但し、輸送時に剥離が発生しないこと。)
PEELING OFF FORCE OF TOP TAPE : 0.1N ~ 0.7N(10.2gf ~ 71.4gf)
(PEELING DIRECTION AS SHOWN IN FOLLOWING FIG.)
THIS REQUIREMENT SHOULD BE APPLIED AT SHIPMENT.
PEEL OFF SHOULD NOT BE ALLOWED ,DURING TRANSPORTATION.

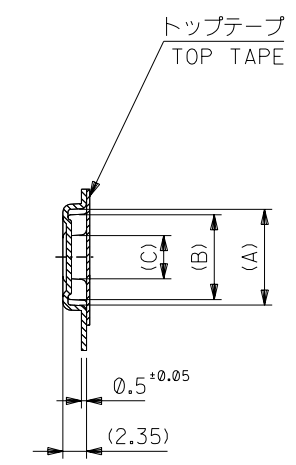


- 材料(MATERIAL)
キャリアテープ(CARRIER TAPE)：ポリプロピレン(POLYPROPYLENE)
トップテープ(TOP TAPE)：PET , PE , PEF
リール(REEL)：ポリスチレン (PS) <リサイクル材を含む>
POLYSTYREN(PS) <RECYCLE MATERIAL CONTAINED>

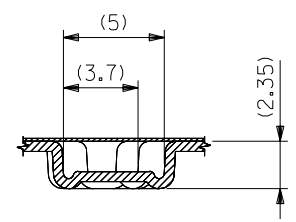
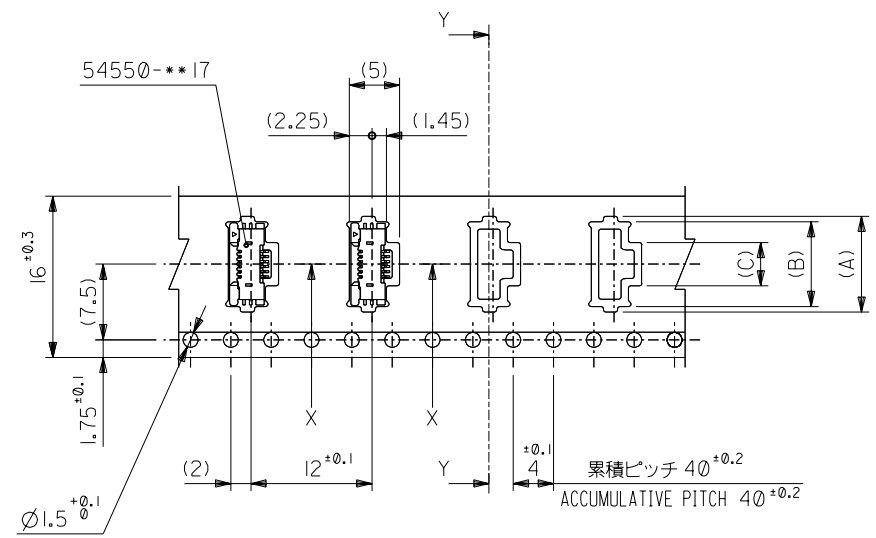
EC NO. DRWN: CHK: APPR:	EC NO. DRWN: CHK: APPR:	REVISED EC NO. J2004-0609 DRWN: R.SUMIYA 03/09/17 CHK: T.ITO 03/09/17 APPR: I.YAMAGUCHI 03/09/17	REVISED EC NO. J2003-2548 DRWN: M.FUJIKURA 03/04/03 CHK: K.KASAKAWA 03/04/04 APPR: I.YAMAGUCHI 03/04/04	REVISED EC NO. J2002-2828 DRWN: T.HANYU 02/5/15 CHK: M.SASAO 02/5/15 APPR: M.SASAO 02/5/15	MATERIAL 材料 注記参照 SEE NOTES	GENERAL TOLERANCES: (UNLESS SPECIFIED) 一般公差
		M	L	K	FINISH 仕上げ //	10 UNDER 未満 ±0.2
					WIRE RANGE 適用層線範囲 //	10 OVER 30 UNDER 未満 ±0.25
					INS. RANGE 被覆外径 //	30 OVER 以上 ±0.3
						ANGLE 角度 ±3°

54550-**90		MODEL No.	DIMENSIONS:		SHT	REV
SCALE —#	DESIGN UNITS <input checked="" type="checkbox"/> mm <input type="checkbox"/> INCH	<input checked="" type="checkbox"/> THIRD ANGLE <input type="checkbox"/> PROJECTION	<input type="checkbox"/> mm <input type="checkbox"/> INCH	<input type="checkbox"/> mm <input type="checkbox"/> ONLY		REVISE ON CAD ONLY
DRAWN BY & DATE M.FUJIKURA '99/03/24		TITLE: 0.5 FPC Conn ZIF Hsg Assy SMT RA Upper Contact Embstp Pkg				
CHECKED BY & DATE S.KUNISHI '99/03/24		MOLEX INCORPORATED				
APPROVED BY & DATE M.FUKUSHIMA '99/03/24		MATERIAL NO.	DRAWING NO.	SHEET NO.		
CAD FILENAME SD-54550-006.S01		SEE CHART	SD-54550-006	1 OF 4		
THIS DRAWING CONTAINS INFORMATION THAT IS PROPRIETARY TO MOLEX INCORPORATED AND SHOULD NOT BE USED WITHOUT WRITTEN PERMISSION.						
					SIZE B	

引き出し方向
PULL OUT DIRECTION



SECT. Y-Y



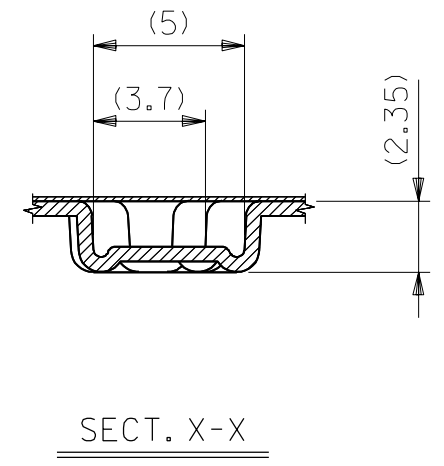
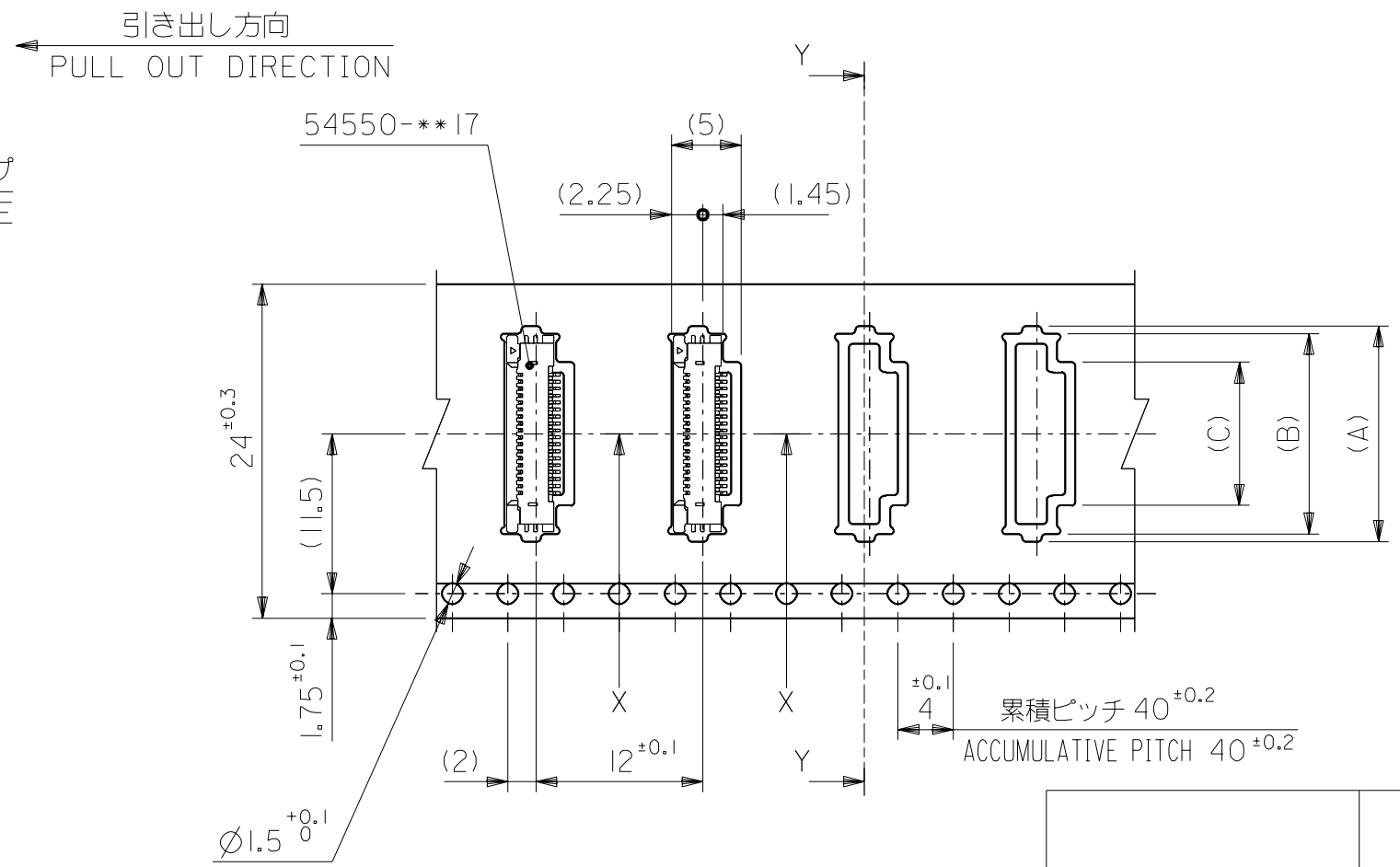
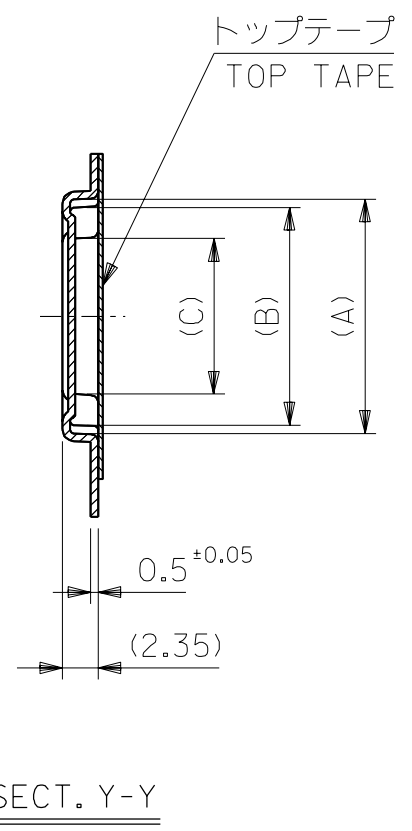
16mm幅キャリアテープ
16mm WIDTH CARRIER TAPE

16	17.5	4.3	8.4	9.5	54550-0690	6
		3.8	7.9	9	54550-0590	5
キャリアテープ幅 CARRIER TAPE WIDTH	D	(C)	(B)	(A)	製品番号 MATERIAL No.	種数 Ck+

DO NOT SCALE DRAWING

EC NO. DRWN: CHK: APPR:	EC NO. DRWN: CHK: APPR:	EC NO. DRWN: CHK: APPR:	EC NO. DRWN: CHK: APPR:	EC NO. DRWN: CHK: APPR:	SEE SHEET 1 OF 4	DESCRIPTION	MATERIAL 材料	GENERAL TOLERANCES: (UNLESS SPECIFIED) 一般公差	SCALE 1/10	DESIGN UNITS <input checked="" type="checkbox"/> mm <input type="checkbox"/> INCH	MODEL No.	DIMENSIONS: <input type="checkbox"/> mm <input type="checkbox"/> INCH <input checked="" type="checkbox"/> mm ONLY	SHT	REV	
							SHEET 1 OF 4 参照 REFER TO SHEET 1 OF 4	10 UNDER 未満 ±0.2	DRAWN BY & DATE M.FUJIKURA '99/03/24	TITLE: 0.5 FPC Conn ZIF Hsg Assy SMT RA Upper Contact Embstp Pkg					
							FINISH 仕上げ	10 OVER 10 UNDER 未満 ±0.25	CHECKED BY & DATE S.KUNISHI '99/03/24						
						WIRE RANGE 適用層線範囲	ANGLE 角度 ±3°								
						INS. RANGE 被覆外径									
CAD FILENAME SD-54550-006.S02										MATERIAL NO. SEE CHART		DRAWING NO. SD-54550-006		SHEET NO. 2 OF 4	
THIS DRAWING CONTAINS INFORMATION THAT IS PROPRIETARY TO MOLEX INCORPORATED AND SHOULD NOT BE USED WITHOUT WRITTEN PERMISSION.													SIZE B		

DWG. NO.
SD-54550-006



24mm幅キャリアテープ
24mm WIDTH CARRIER TAPE

24	25.5	12.3	16.4	17.5	54550-2290	22	
		11.8	15.9	17	54550-2190	21	
		11.3	15.4	16.5	54550-2090	20	
		10.8	14.9	16	54550-1990	19	
		10.3	14.4	15.5	54550-1890	18	
		9.8	13.9	15	54550-1790	17	
		9.3	13.4	14.5	54550-1690	16	
		8.8	12.9	14	54550-1590	15	
		8.3	12.4	13.5	54550-1490	14	
		7.8	11.9	13	54550-1390	13	
		7.3	11.4	12.5	54550-1290	12	
		6.8	10.9	12	54550-1190	11	
		6.3	10.4	11.5	54550-1090	10	
		5.8	9.9	11	54550-0990	9	
		5.3	9.4	10.5	54550-0890	8	
4.8	8.9	10	54550-0790	7			
キャリアテープ幅 CARRIER TAPE WIDTH		D	(C)	(B)	(A)	製品番号 MATERIAL No.	極数 Ck+

DO NOT SCALE DRAWING

EC NO. DRWN: CHK: APPR:	EC NO. DRWN: CHK: APPR:	EC NO. DRWN: CHK: APPR:	EC NO. DRWN: CHK: APPR:	SEE SHEET 1 OF 4	DESCRIPTION
		M	L	K	MATERIAL 材料 SHEET 1 OF 4 参照 REFER TO SHEET 1 OF 4
					FINISH 仕上げ //
					WIRE RANGE 適用電線範囲 //
					INS. RANGE 被覆外径 //

GENERAL TOLERANCES: (UNLESS SPECIFIED) 一般公差		SCALE —#—	DESIGN UNITS <input checked="" type="checkbox"/> mm <input type="checkbox"/> INCH	THIRD ANGLE PROJECTION	DIMENSIONS: <input type="checkbox"/> mm <input type="checkbox"/> INCH <input checked="" type="checkbox"/> mm ONLY	SHT REV
10 UNDER 未満	±0.2	DRAWN BY & DATE M.FUJIKURA '99/03/24		TITLE: 0.5 FPC Conn ZIF Hsg Assy SMT RA Upper Contact Embstp Pkg		REVISE ON CAD ONLY
10 OVER 以上	±0.25	CHECKED BY & DATE S.KUNISHI '99/03/24		MOLEX INCORPORATED		
30 OVER 以上	±0.3	APPROVED BY & DATE M.FUKUSHIMA '99/03/24		MATERIAL NO. DRAWING NO. SHEET NO.		
ANGLE 角度	±3°	CAD FILENAME SD-54550-006.S03		SEE CHART	SD-54550-006	3 OF 4

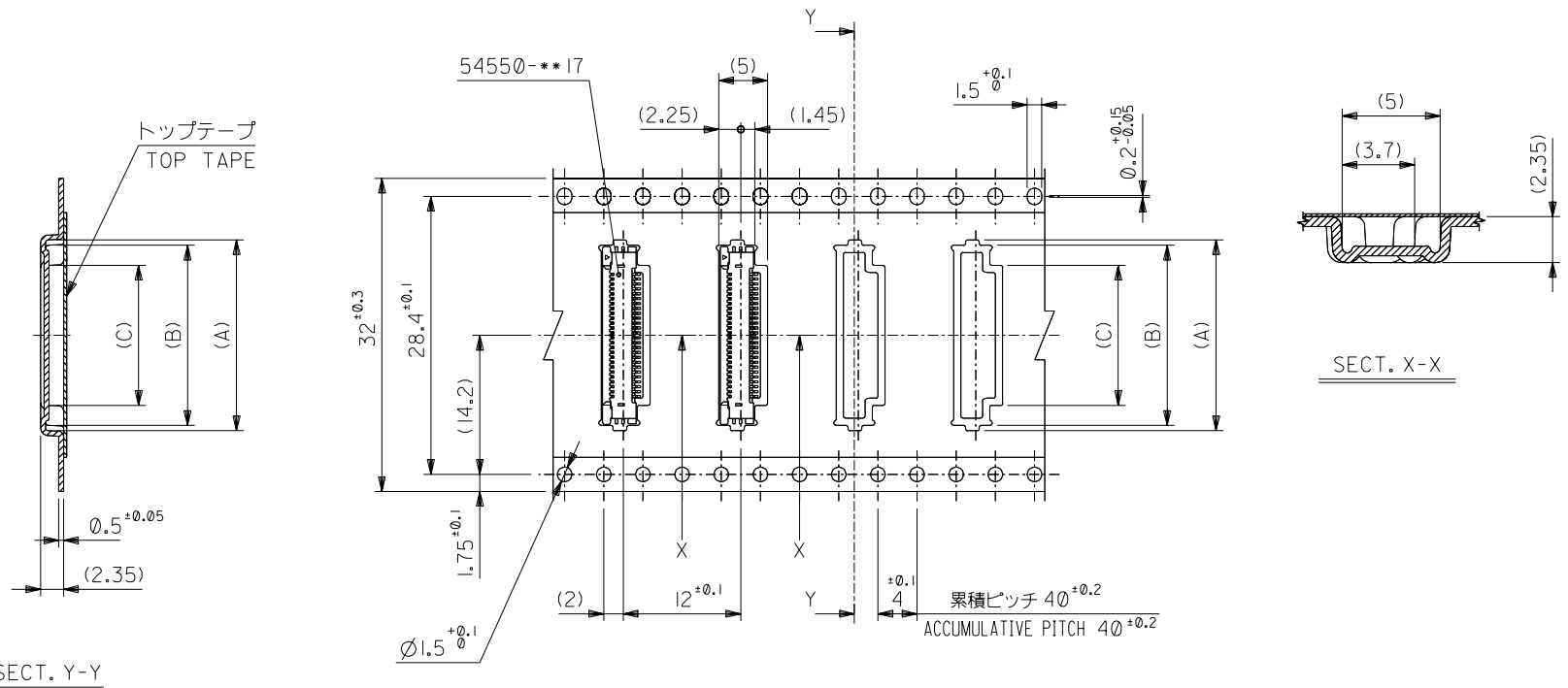
54550-**90 MODEL No.

THIS DRAWING CONTAINS INFORMATION THAT IS PROPRIETARY TO MOLEX INCORPORATED AND SHOULD NOT BE USED WITHOUT WRITTEN PERMISSION.

SIZE B

SD-54550-006.003

引き出し方向
PULL OUT DIRECTION



32mm幅キャリアテープ
32mm WIDTH CARRIER TAPE

32	33.5	14.3	18.4	19.5	54550-2690	26
		13.3	17.4	18.5	54550-2490	24
キャリアテープ幅 CARRIER TAPE WIDTH	D	(C)	(B)	(A)	製品番号 MATERIAL No.	種数 Ck+

DO NOT SCALE DRAWING

EC NO. DRAWN: CHK: APPR:	EC NO. DRAWN: CHK: APPR:	EC NO. DRAWN: CHK: APPR:	EC NO. DRAWN: CHK: APPR:	EC NO. DRAWN: CHK: APPR:	EC NO. DRAWN: CHK: APPR:	DESCRIPTION	MATERIAL 材料	GENERAL TOLERANCES: (UNLESS SPECIFIED) 一般公差
		M	L	K	SEE SHEET 1 OF 4	SHEET 1 OF 4 参照 REFER TO SHEET 1 OF 4		SCALE
						FINISH 仕上げ		DESIGN UNITS
						WIRE RANGE 適用線径範囲		THIRD ANGLE PROJECTION
						INS. RANGE 被覆外径		DIMENSIONS:
								SHT
								REV
								REVISION

54550-**90	MODEL No.	DIMENSIONS:	SHT	REV
SCALE	DESIGN UNITS	<input type="checkbox"/> mm <input type="checkbox"/> INCH	<input type="checkbox"/> mm <input type="checkbox"/> INCH	<input checked="" type="checkbox"/> mm ONLY
DRAWN BY & DATE N.YANO '99/10/25	TITLE:	0.5 FPC Conn ZIF Hsg Assy SMT RA Upper Contact Embstp Pkg		
CHECKED BY & DATE S.KUNISHI '99/10/25	MOLEX INCORPORATED			
APPROVED BY & DATE M.FUKUSHIMA '99/10/25	CAD FILENAME	MATERIAL NO.	DRAWING NO.	SHEET NO.
ANGLE 角度	SD-54550-006.S04	SEE CHART	SD-54550-006	4 OF 4
THIS DRAWING CONTAINS INFORMATION THAT IS PROPRIETARY TO MOLEX INCORPORATED AND SHOULD NOT BE USED WITHOUT WRITTEN PERMISSION.				SIZE B