

Panel feed-through - SACC-DSI-FS-8CON-L180 SCO - 1542774


Please be informed that the data shown in this PDF Document is generated from our Online Catalog. Please find the complete data in the user's documentation. Our General Terms of Use for Downloads are valid (<http://download.phoenixcontact.com>)



Sensor/actuator flush-type socket, 8-pos., M12 SPEEDCON, rear/screw mounting with Pg9 thread, with straight solder connection



Key commercial data

| | |
|------------------------|---|
| Packing unit | 1 |
| Minimum order quantity | 20 |
| Catalog page | Page 46 (PC-2011) |
| GTIN |  4 046356 097789 |
| Custom tariff number | 85366990 |
| Country of origin | GERMANY |

Technical data

General data

| | |
|---------------------------------|--|
| Rated current at 40°C | 2 A |
| Rated voltage | 30 V |
| Number of positions | 8 |
| Volume resistance | ≤ 3 mΩ |
| Insulation resistance | ≥ 100 MΩ |
| Ambient temperature (operation) | -25 °C ... 85 °C (Male connector / female connector) |

General characteristics

| | |
|--------------------------|---------------------------------------|
| Standards/regulations | M12 plug-in connector IEC 61076-2-101 |
| Coding | A - standard |
| Surge voltage category | II |
| Pollution degree | 3 |
| Degree of protection | IP67 |
| Contact material | CuZn |
| Contact surface material | Au |
| Contact carrier material | PA 66 |
| Material, knurls | Zinc die-cast, nickel-plated |
| Sealing material | NBR |

Panel feed-through - SACC-DSI-FS-8CON-L180 SCO - 1542774

Technical data

General characteristics

| | |
|-------------------------------|---------------------------------|
| Mounting type | Rear mounting Pg9 With flat nut |
| Connection method | Solder pins |
| Length of the solder contacts | 6 mm |
| Status display | No |

Classifications

eclass

| | |
|------------|----------|
| eCl@ss 4.0 | 27250313 |
| eCl@ss 4.1 | 27250313 |
| eCl@ss 5.0 | 27143423 |
| eCl@ss 5.1 | 27143423 |
| eCl@ss 6.0 | 27143423 |
| eCl@ss 7.0 | 27449001 |

etim

| | |
|----------|----------|
| ETIM 3.0 | EC002061 |
| ETIM 4.0 | EC002061 |

unspsc

| | |
|---------------|----------|
| UNSPSC 6.01 | 31261501 |
| UNSPSC 7.0901 | 31261501 |
| UNSPSC 11 | 31261501 |
| UNSPSC 12.01 | 31261501 |
| UNSPSC 13.2 | 31261501 |

Approvals

Approvals

Approvals

UL Recognized

Ex Approvals

Approvals submitted

Approval details

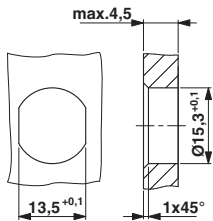
Panel feed-through - SACC-DSI-FS-8CON-L180 SCO - 1542774

Approvals

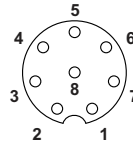
| | |
|--------------------------------|------|
| UL Recognized | |
| mm²/AWG/kcmil | 26-2 |
| Nominal current I _N | 2 A |
| Nominal voltage U _N | 30 V |

Drawings

Dimensioned drawing



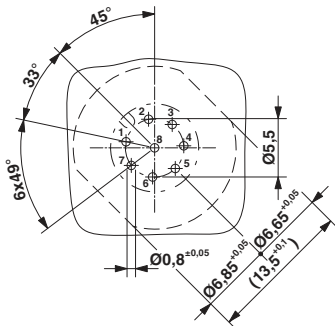
Schematic diagram



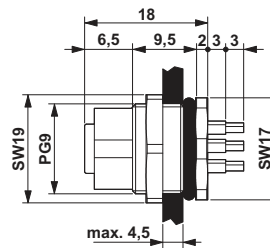
Pin assignment M12 socket, 8-pos., A-coded, view female side

Mounting cutout with polarization for Pg9 thread

Drilling diagram

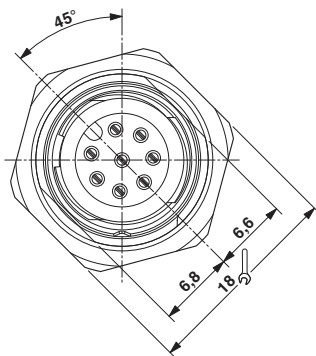


Dimensioned drawing



M12 flush-type connector

Dimensioned drawing



M12 front view

