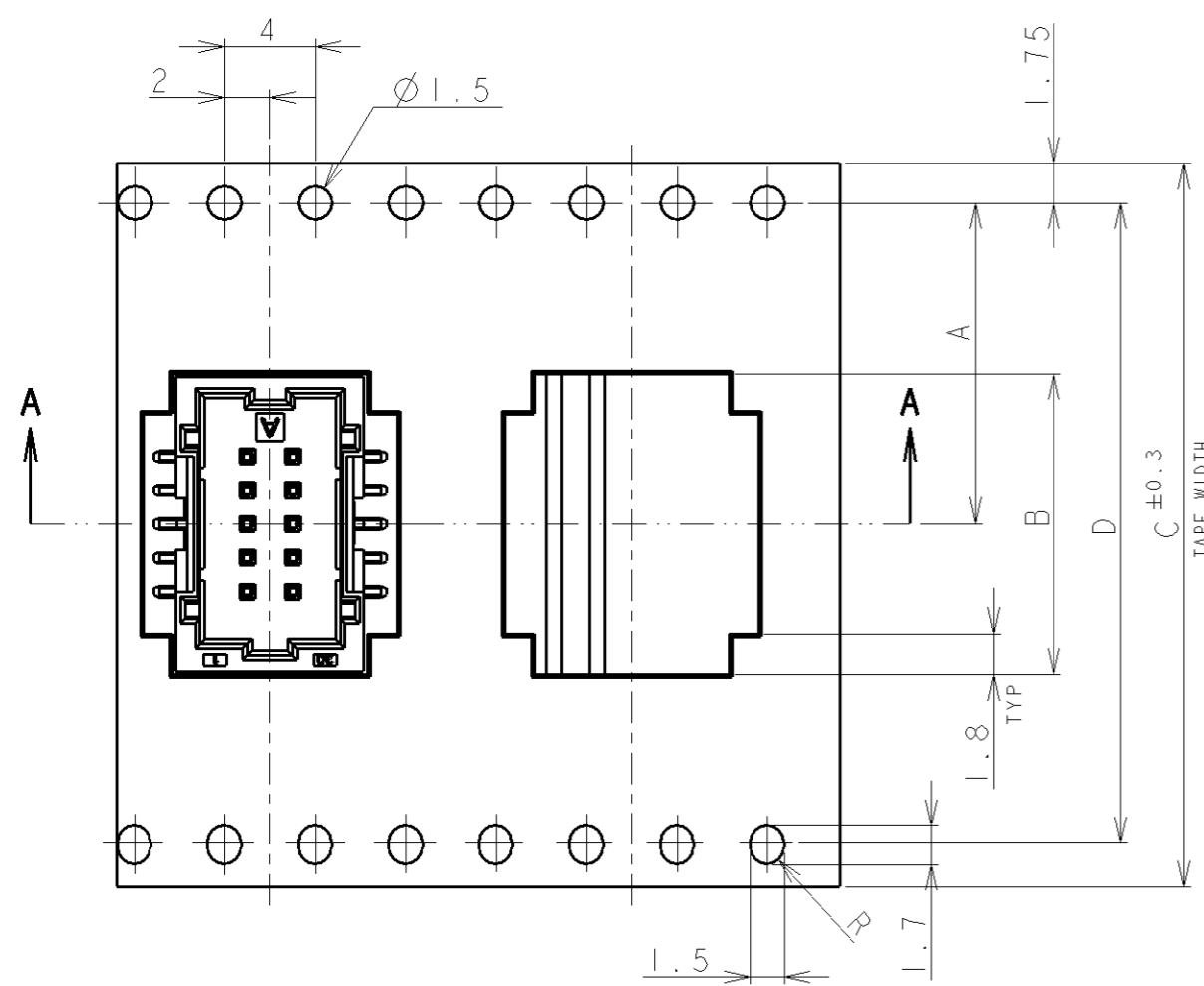
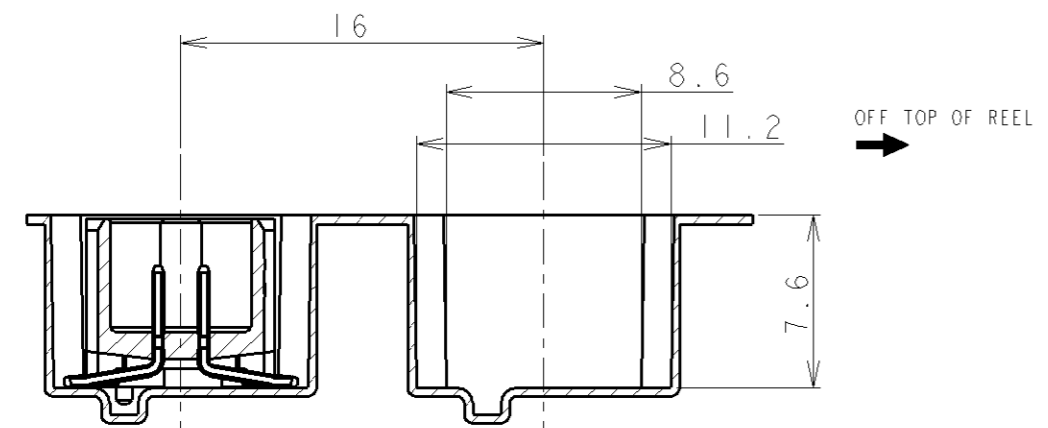
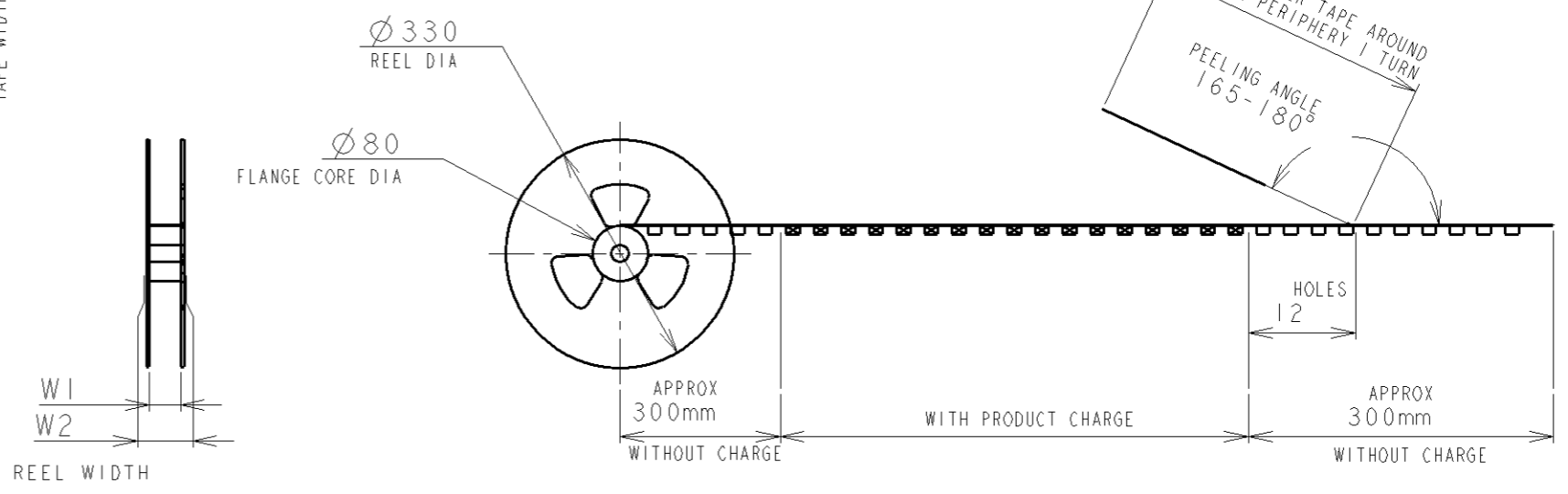
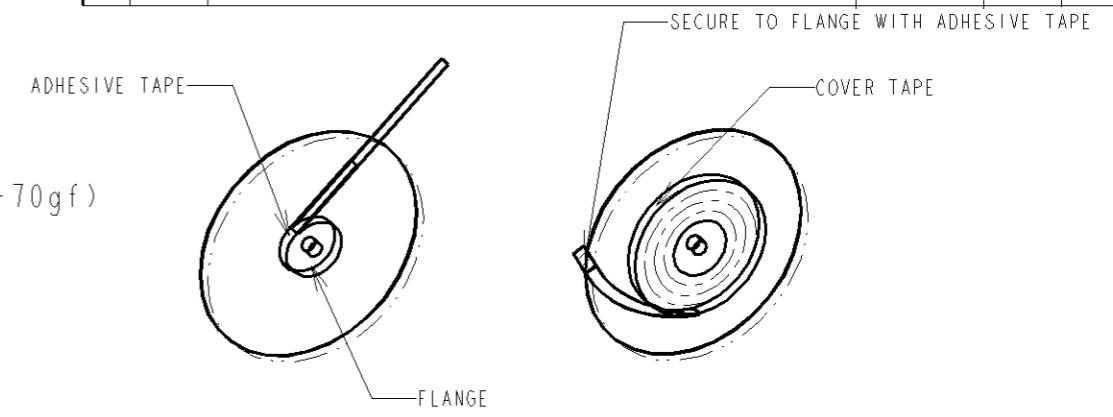


LOC	DIST	REVISIONS			
P	LTR	DESCRIPTION	DATE	DWN	APVD
ES	00	B2	ECR-21-120631	12NOV21	T.Q N.S



NOTE:  
 1. PEELING STRENGTH: 0.20-0.69N(20-70gf)  
 PEELING ANGLE: 165-180°  
 PEELING SPEED: 300mm/MINUTE.



TOLERANCES UNLESS OTHERWISE SPECIFIED:

10 >	: ±0.2
30 > * > 10	: ±0.25
100 > * > 30	: ±0.3
ANGLE	: ±3°

THIS DRAWING IS A CONTROLLED DOCUMENT FOR AMP INCORPORATED. IT IS SUBJECT TO CHANGE AND THE CONTROLLING ENGINEERING ORGANIZATION SHOULD BE CONTACTED FOR THE LATEST REVISION.		DWN	S. XU	31JAN03	Tyco Electronics Corporation SHANGHAI, CHINA
DIMENSIONS: mm		CHK	S. YAO	31JAN03	
TOLERANCES UNLESS OTHERWISE SPECIFIED:		APVD	T. SASAKI	31JAN03	
0 PLC ±- 1 PLC ±0.1 2 PLC ±0.15 3 PLC ±0.001 4 PLC ±0.0001 ANGLES ±-		PRODUCT SPEC	108-60018		
MATERIAL		APPLICATION SPEC		114-5223	
FINISH		WEIGHT		CUSTOMER DRAWING	
NAME			AMP Mini Common Terminated (CT) Connector 1.5mm PITCH DOUBLE ROW POST HDR ASS'Y (V) SMT TYPE WITH BOSS, EMBOSS TAPE PACKAGED		
SIZE	CAGE CODE	DRAWING NO	RESTRICTED TO		
A3	00779	C-292229			
SCALE		SHEET		REV	
NON		1 of 4		B2	


LOC	DIST	REVISIONS					
FB	00	P	LTR	DESCRIPTION	DATE	DWN	APVD

62.4	56.4	52.4	56	35.8	26.2	400	40	BLACK	9-292229-0
50.4	44.4	40.4	44	34.3	20.2	400	38		8-292229-8
50.4	44.4	40.4	44	32.8	20.2	400	36		8-292229-6
50.4	44.4	40.4	44	31.3	20.2	400	34		8-292229-4
50.4	44.4	40.4	44	29.8	20.2	400	32		8-292229-2
50.4	44.4	40.4	44	28.3	20.2	400	30		8-292229-0
50.4	44.4	40.4	44	26.8	20.2	400	28		7-292229-8
50.4	44.4	40.4	44	25.3	20.2	400	26		7-292229-6
50.4	44.4	40.4	44	23.8	20.2	400	24		7-292229-4
50.4	44.4	40.4	44	22.3	20.2	400	22		7-292229-2
W2	W1	D	C	B	A	QTY/REEL	POS	COLOR	ON TAPE P/N
DIMENSIONS									

62.4	56.4	52.4	56	35.8	26.2	400	40	BEIGE	4-292229-0
50.4	44.4	40.4	44	34.3	20.2	400	38		3-292229-8
50.4	44.4	40.4	44	32.8	20.2	400	36		3-292229-6
50.4	44.4	40.4	44	31.3	20.2	400	34		3-292229-4
50.4	44.4	40.4	44	29.8	20.2	400	32		3-292229-2
50.4	44.4	40.4	44	28.3	20.2	400	30		3-292229-0
50.4	44.4	40.4	44	26.8	20.2	400	28		2-292229-8
50.4	44.4	40.4	44	25.3	20.2	400	26		2-292229-6
50.4	44.4	40.4	44	23.8	20.2	400	24		2-292229-4
50.4	44.4	40.4	44	22.3	20.2	400	22		2-292229-2
W2	W1	D	C	B	A	QTY/REEL	POS	COLOR	ON TAPE P/N
DIMENSIONS									

THIS DRAWING IS UNPUBLISHED.

© COPYRIGHT BY TYCO ELECTRONICS CORPORATION. ALL RIGHTS RESERVED.

DIMENSIONS: mm	DWN	<del>WIRE RANGE</del>		<del>INSULATION DIA</del>	
	CHK	<del>MATERIAL</del>		<del>FINISH</del>	
TOLERANCES UNLESS OTHERWISE SPECIFIED:	APVD	 Tyco Electronics Corporation SHANGHAI, CHINA			
0 PLC ±-	PRODUCT SPEC	NAME AMP Mini Common Terminated (CT) Connector 1.5mm PITCH			
1 PLC ±0.1	SEE SHEET 1 OF 4	DOUBLE ROW POST HDR ASS'Y (V)			
2 PLC ±0.15	APPLICATION SPEC	SMT TYPE WITH BOSS, EMBOSS TAPE PACKAGED			
3 PLC ±0.001	SEE SHEET 1 OF 4	SIZE	CAGE CODE	DRAWING NO	RESTRICTED TO
4 PLC ±0.0001	WEIGHT	A4	00779	C-292229	-
ANGLES ±-	CUSTOMER DRAWING	SCALE NON		SHEET 2 OF 4	REV B2

4

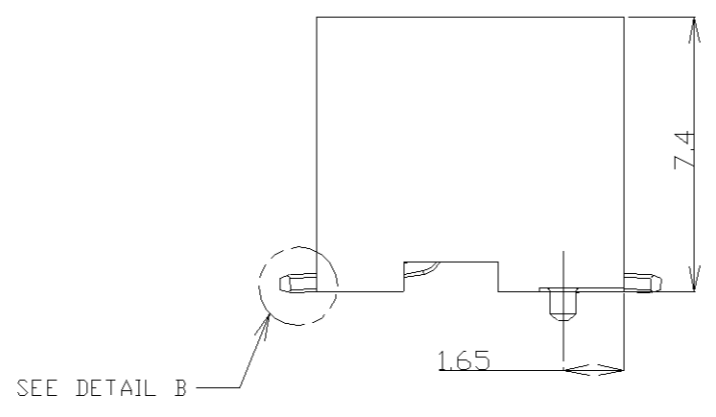
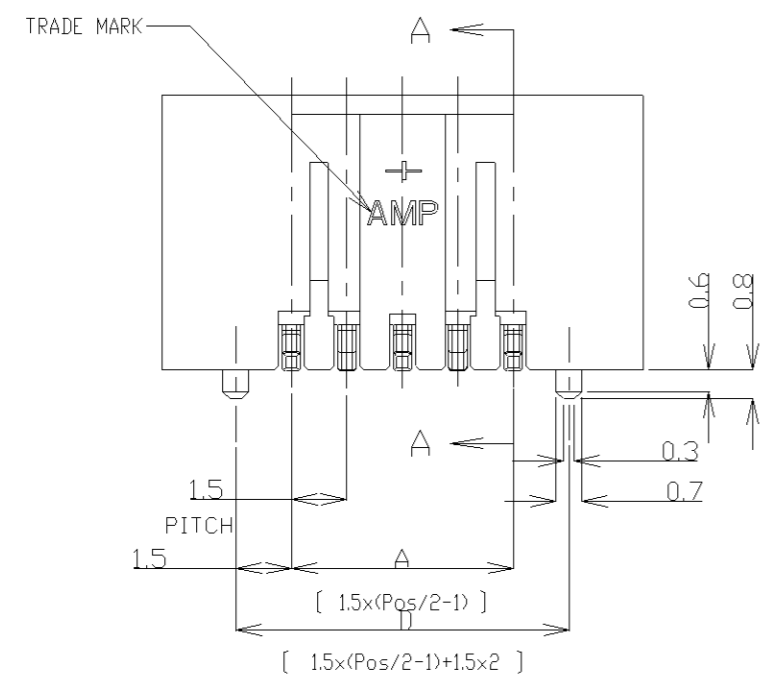
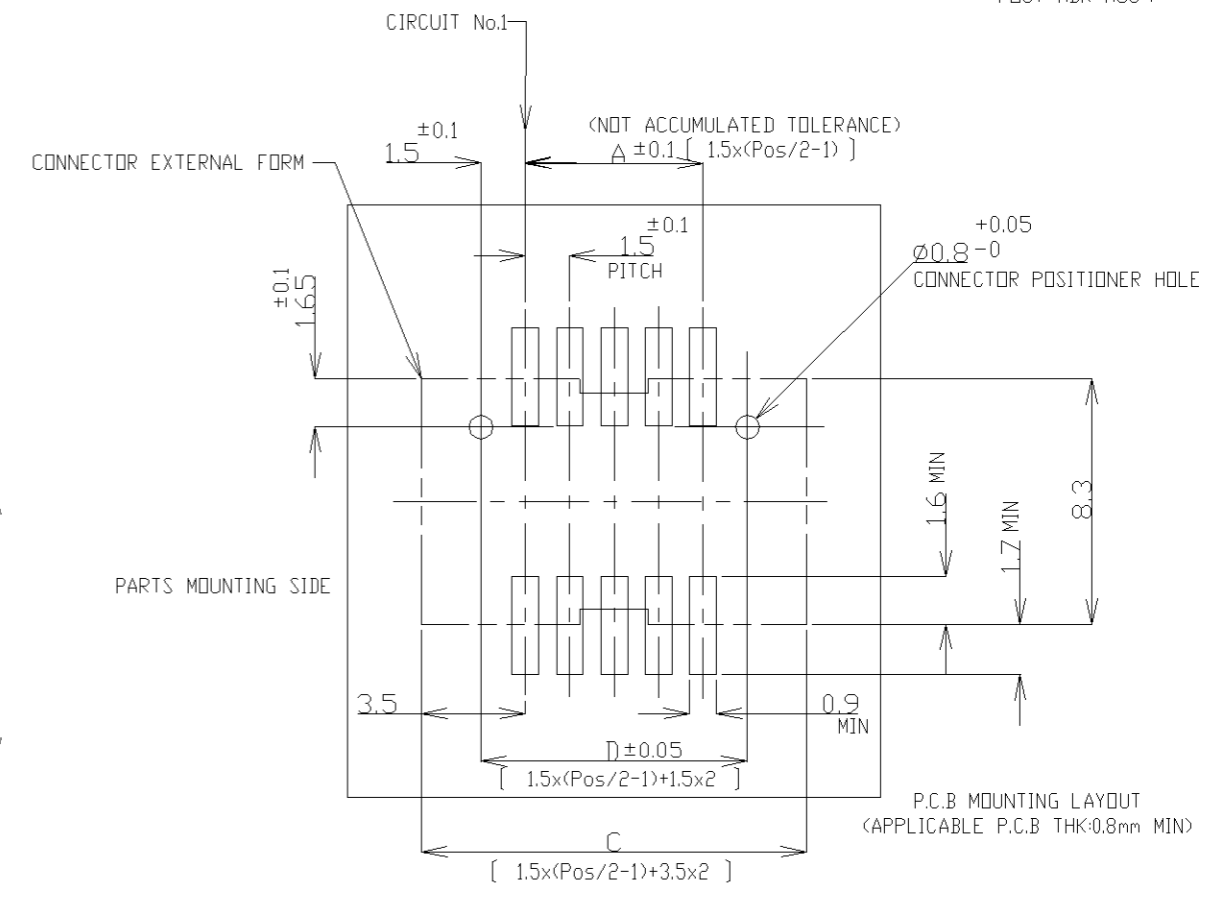
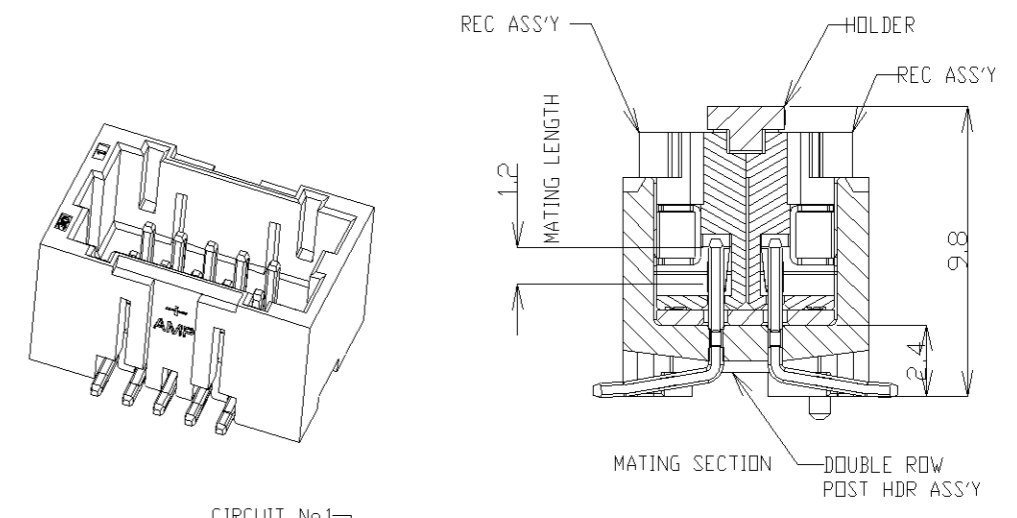
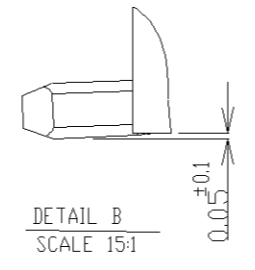
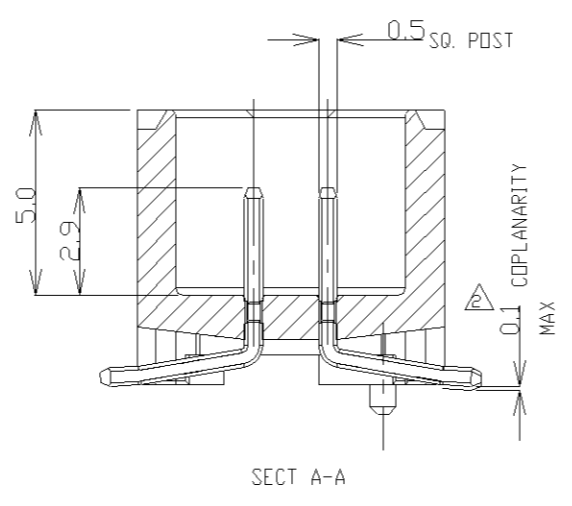
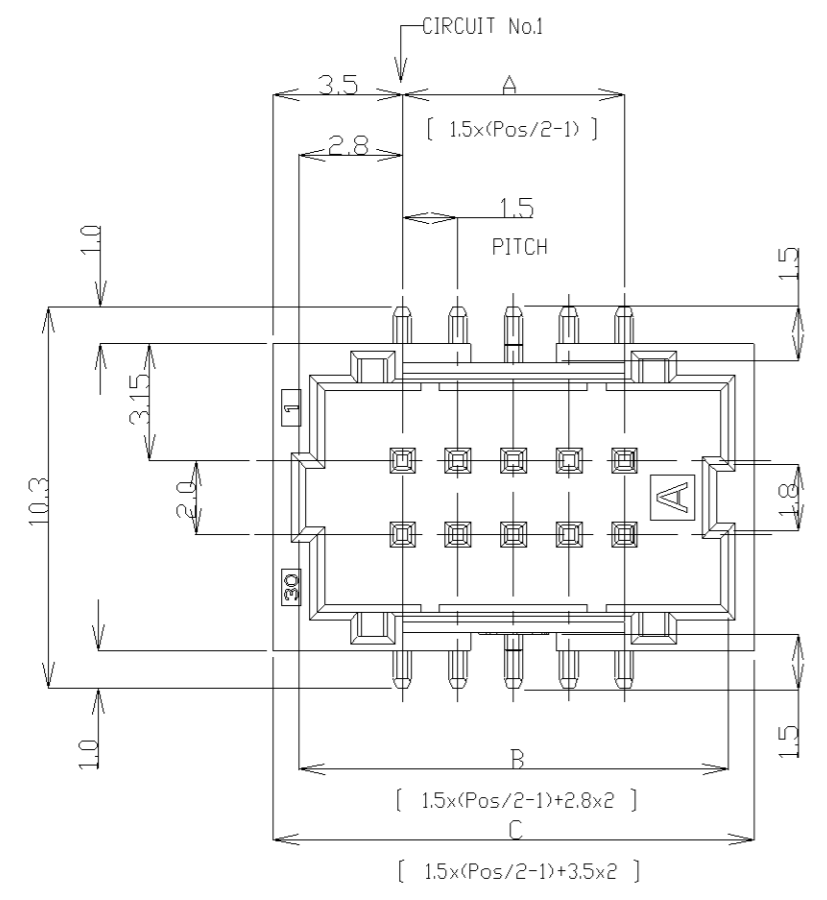
3

2

1

THIS DRAWING IS UNPUBLISHED. RELEASED FOR PUBLICATION  
 © COPYRIGHT BY TYCO ELECTRONICS CORPORATION. ALL INTERNATIONAL RIGHTS RESERVED.

LOC	DIST	REVISIONS					
		P	LTR	DESCRIPTION	DATE	DWN	APVD
ES	00	-	-		-	-	-



NOTES:  
 1.MATERIAL:  
 HOUSING-HIGH HEAT RESISTANT, GLASS FILLED NYLON, UL94V-0, COLOR:BEIGE, BLACK  
 POST:Sn-100% BRASS WIRE  
 TO BE MEASURED WITH CONNECTOR PLACED ON HORIZONTAL DATUM SURFACE,  
 FLOAT OF SOLDER TINE FROM DATUM SURFACE IS 0.1mm MAX.

TOLERANCES UNLESS OTHERWISE SPECIFIED:

10 >	±0.2
30 > 10	±0.25
100 > 30	±0.3
ANGLE	±3°

THIS DRAWING IS A CONTROLLED DOCUMENT.

DIMENSIONS:	TOLERANCES UNLESS OTHERWISE SPECIFIED:
mm	0 PLC ±
	1 PLC ±
	2 PLC ±
	3 PLC ±
	4 PLC ±
	ANGLES ±
MATERIAL	FINISH
SEE NOTE 1	SEE NOTE 1

DWN	---	Tyco Electronics Corporation Shanghai, P.R. China, 200233
CHK	---	
APVD	---	NAME AMP Mini Common Terminated (CT) Connector 1.5mm PITCH DBL ROW POST HDR ASS'Y (V) SMT TYPE WITH BOSS
PRODUCT SPEC	---	
APPLICATION SPEC	---	SIZE A300779 C=292229
WEIGHT	---	
CUSTOMER DRAWING		RESTRICTED TO
SCALE	NON	SHEET 3 of 4
		REV B2

LOC	DIST	REVISIONS						
		P	LTR	DESCRIPTION	DATE	DWN	APVD	
—	—		—	—		—	—	—

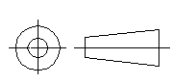
31.5	35.5	34.1	28.5	40	9-292229-0	4-292229-0
30.0	34.0	22.6	27.0	38	8-292229-8	3-292229-8
28.5	32.5	31.1	25.5	36	8-292229-6	3-292229-6
27.0	31.0	29.6	24.0	34	8-292229-4	3-292229-4
25.5	29.5	28.1	22.5	32	8-292229-2	3-292229-2
24.0	28.0	26.6	21.0	30	8-292229-0	3-292229-0
22.5	26.5	25.1	19.5	28	7-292229-8	2-292229-8
21.0	25.0	23.6	18.0	26	7-292229-6	2-292229-6
19.5	23.5	22.1	16.5	24	7-292229-4	2-292229-4
18.0	22.0	20.6	15.0	22	7-292229-2	2-292229-2
D	C	B	A	Pos.	BLACK	BEIGE
DIMENSIONS					P/N	

THIS DRAWING IS UNPUBLISHED.

ALL INTERNATIONAL RIGHTS RESERVED.

© COPYRIGHT BY TYCO ELECTRONICS CORPORATION.

THIS DRAWING IS UNPUBLISHED.

DIMENSIONS: mm	DWN	MATERIAL	FINISH
	CHK	Tyco Electronics Corporation Shanghai, P.R. China, 200233	
TOLERANCES UNLESS OTHERWISE SPECIFIED:	APVD	NAME AMP Mini Common Terminated (CT) Conn. 1.5mm PITCH DBL ROW POST HDR ASS'Y (V) SMT TYPE W BOSS	
0 PLC ± -	PRODUCT SPEC	SIZE	CAGE CODE
1 PLC ± -	APPLICATION SPEC	A4	00779
2 PLC ± -	WEIGHT	DRAWING NO	RESTRICTED TO
3 PLC ± -		C-292229	
4 PLC ± -			
ANGLES ± -			
	CUSTOMER DRAWING	SCALE	SHEET
		NON	4 of 4
			REV B2