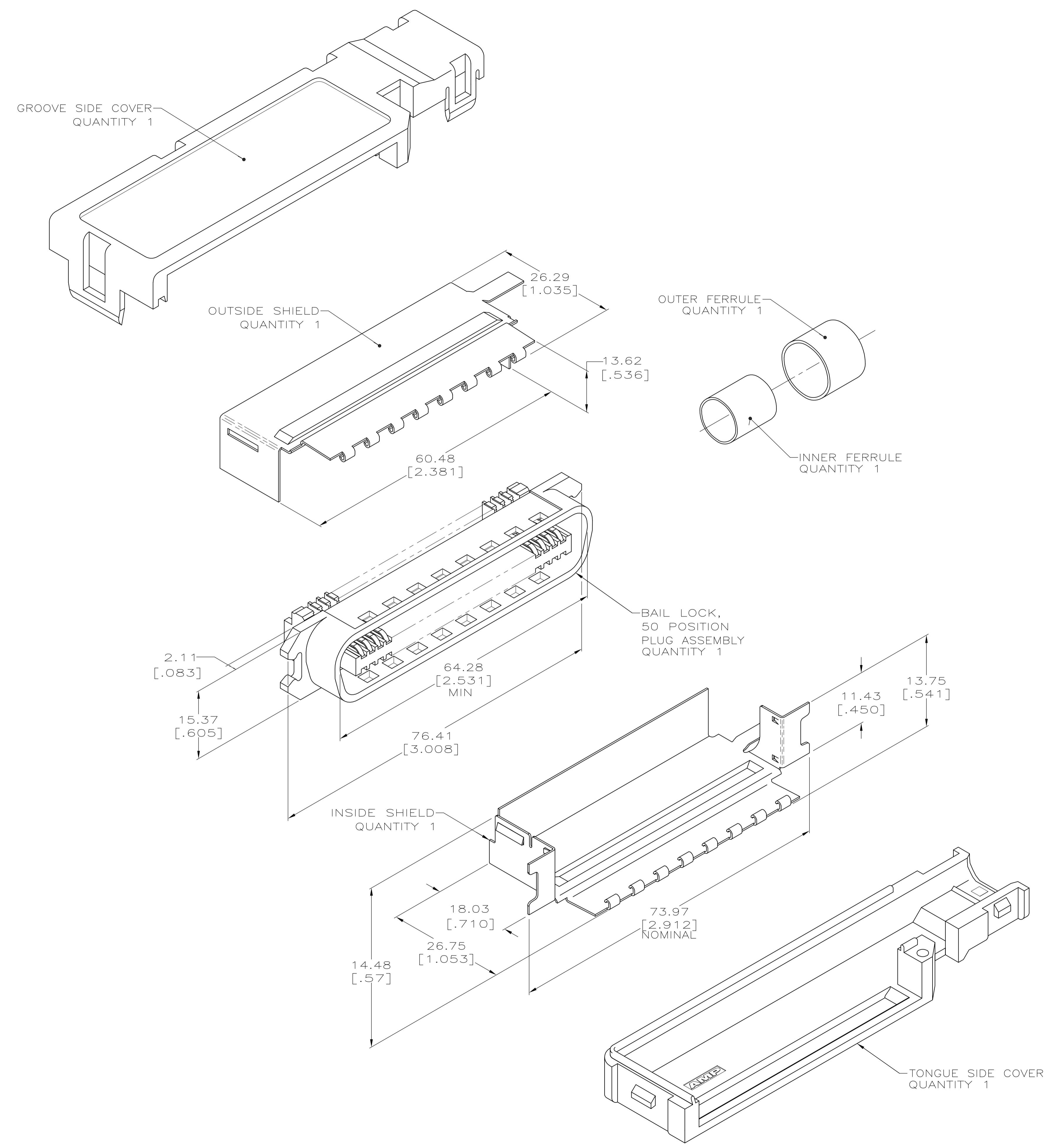


LOC		DIST		REVISIONS			
GP	00	REV	DATE	BY	CHK	APPV	
		D	02OCT08	BM	WM		
		D1	30OCT09	KK	AEG		



- THIS KIT SHIPPED NOT ASSEMBLED.
- MATERIAL: PLUG HOUSING AND COVERS - POLYPHENYLENE OXIDE, BLACK.
 TERMINAL - HIGH STRENGTH COPPER ALLOY PLATED WITH EITHER 0.76μm [.000030] MIN GOLD OR GOLD FLASH OVER PALLADIUM NICKEL PLATE, 0.76μm [.000030] MIN TOTAL ON MATING SURFACE, 1.27μm [.000050] MIN NICKEL UNDERPLATE OVER ENTIRE TERMINAL.
 SHIELDS - BRIGHT NICKEL PLATED CARBON STEEL.
 FERRULES - BRASS.
 WIRE SIZE: 24 OR 26 AWG SOLID OR 24 AWG 7 STRANDS COPPER CONDUCTORS. MAXIMUM INSULATION DIAMETER OF 1.14[.045] IS ACCEPTABLE FOR MOST APPLICATIONS.
- CENTER-TO-CENTER SPACING OF TERMINALS IS 2.16 [.085] NOMINAL.
- BULK PACKAGED 100 KITS PER CONTAINER.
- DIMENSIONS ARE MAXIMUM UNLESS OTHERWISE SPECIFIED.
- ASSEMBLE GROOVE SIDE STRAIN RELIEF COVER (WITH LATCHES) ON OUTSIDE SHIELD, FOLLOWED BY TONGUE SIDE STRAIN RELIEF COVER ON INSIDE SHIELD.
- MAXIMUM CABLE DIAMETER = 12.7[.50] MAXIMUM ASSEMBLY HEIGHT = 31.5[1.24].
- PACKAGED ONE INDIVIDUAL KIT PER POLYBAG.
- OBSOLETE PARTS: OBSOLETE CIS STREAMLINING PER D.RENAUD/D.SINISI

OBSOLETE	BLACK	B	3	INDIVIDUAL	5-1116785-1
	BLACK	B	3	BULK	1116785-1
HOUSING/COVER COLOR		SLOT	WIRE SIZE	PACKAGED	PART NUMBER
THIS DRAWING IS A CONTROLLED DOCUMENT.		DL DRUMMOND	19-SEP-00	Tyco Electronics Corporation Harrisburg, PA 17105-3608	
DIMENSIONS: mm [INCHES]		DL DRUMMOND	19-SEP-00	NAME: PLUG KIT, SHIELDED, 90 DEGREE, BAIL LOCK, STRAIN RELIEF COVER, CHAMP	
TOLERANCES UNLESS OTHERWISE SPECIFIED:		EW BELLES	19-SEP-00	SIZE: A1	
0 PLC	±	APPLICATION SPEC		DRAWING NO: 1116785	
1 PLC	±	WEIGHT		RESTRICTED TO	
2 PLC	±	CUSTOMER DRAWING		SCALE: 2:1	
3 PLC	±	SCALE: 2:1		SHEET 1 OF 1	
4 PLC	±	SHEET 1 OF 1		REV D1	
ANGLES	±				