

HANDLE AND STATOR

Glass-fibre reinforced polyamide based (PA) technopolymer.

ROTOR

Chrome-plated zinc alloy.

FRONT PLATE

Stainless steel.

NUT

M22x1.5 technopolymer.

FLAT CLOSING LEVER

Zinc-plated steel, thickness 3 mm.

PACKING RING

NBR rubber.

SELF-TAPPING SCREW

Zinc-plated steel.

TWO KEYS

Nickel-plated brass, removable in two positions at 180°.

ROTATION

90° clockwise (right).

IP PROTECTION

IP 65 protection class, according to EN 60529 (see page A-18).

STANDARD EXECUTIONS

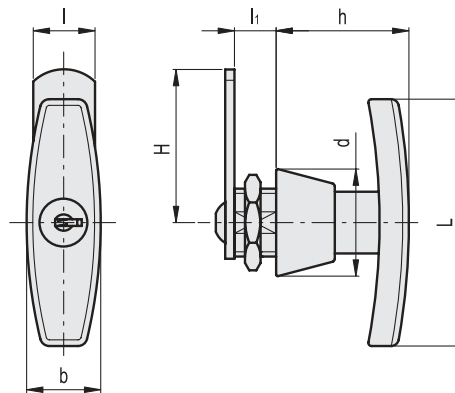
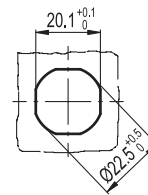
- **CSMT.**: lock with 400 different combinations. Each lock has a couple of keys with different combination.
- **CSMTU.**: lock with one combination. All locks have the same combination and can be opened with the same key.

SPECIAL EXECUTIONS ON REQUEST

Closing levers in other dimensions.



Drilling template



Conversion Table	
1 mm = 0.039 inch	
H	
mm	inch
50	1.97

METRIC

Code	Description	H	L	l	l1	b	h	d	⚖
421521	CSMT.50	50	80	20	13.5	24	43	37	107
421523	CSMTU.50	50	80	20	13.5	24	43	37	107