

# 丸形

# Round Type

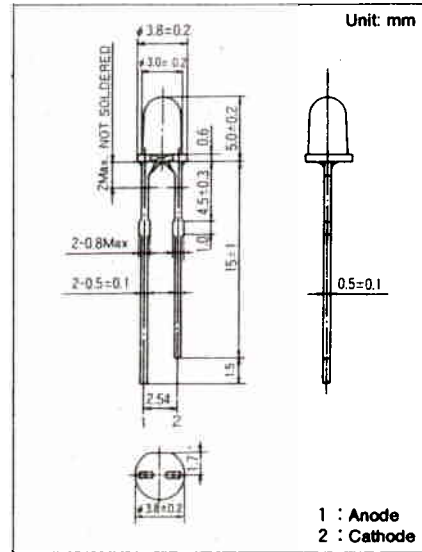
## φ 3.0mm Series

Type No.	Lighting Color
LN28RPP	Red
LN28RCPP	Red
LN28WPP	Red
LN28CPP	Red

### 絶対最大定格 Absolute Maximum Ratings (Ta=25 °C)

Lighting Color	P <sub>0</sub> (mW)	I <sub>F</sub> (mA)	I <sub>FP</sub> (mA)*	V <sub>R</sub> (V)	Topr (°C)	Tstg (°C)
Red	70	25	150	4	-25~+85	-30~+100

\* I<sub>FP</sub>の条件は、duty 10%, Pulse width 1 msec. The condition of I<sub>FP</sub> is duty 10%, Pulse width 1 msec



### 電気的光学的特性 Electro-Optical Characteristics (Ta=25 °C)

Type No.	Lighting Color	Lens Color	I <sub>0</sub>			V <sub>F</sub>		λ <sub>P</sub>	Δλ	I <sub>F</sub>	I <sub>R</sub>	
			Typ.	Min.	I <sub>F</sub>	Typ.	Max.				Max.	V <sub>R</sub>
LN28RPP	Red	Red Diffused	1.0	0.4	15	2.2	2.8	700	100	20	5	4
LN28RCPP	Red	Red Clear	3.0	1.3	15	2.2	2.8	700	100	20	5	4
LN28WPP	Red	White Diffused	1.0	0.4	15	2.2	2.8	700	100	20	5	4
LN28CPP	Red	Clear	3.0	1.3	15	2.2	2.8	700	100	20	5	4
Unit	—	—	mcd	mcd	mA	V	V	nm	nm	mA	μA	V

